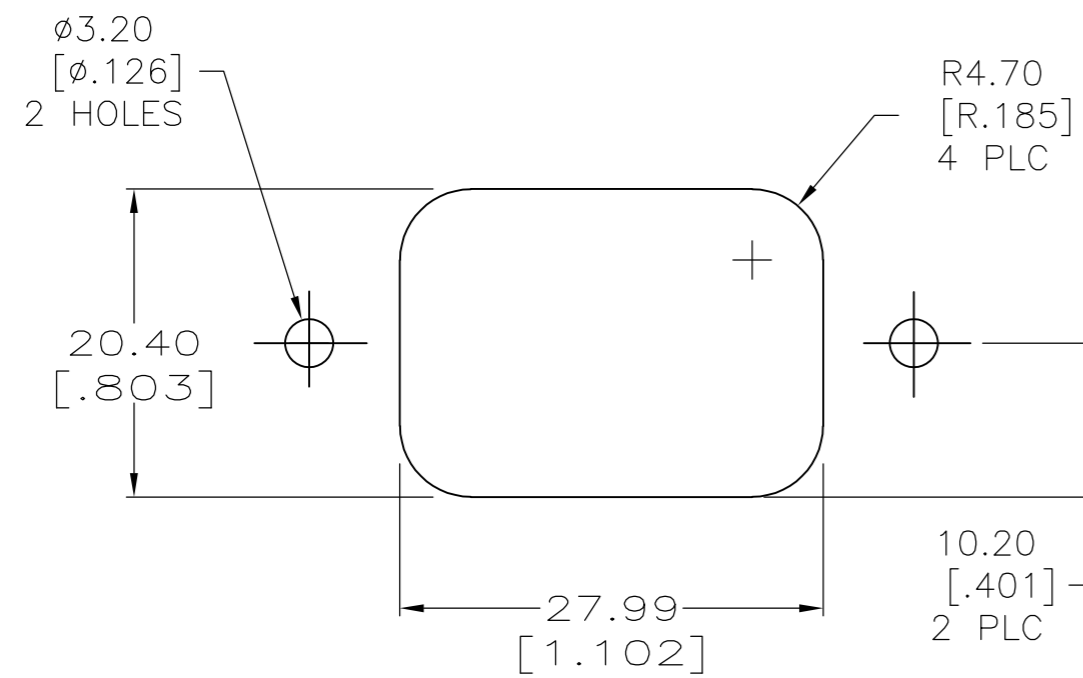
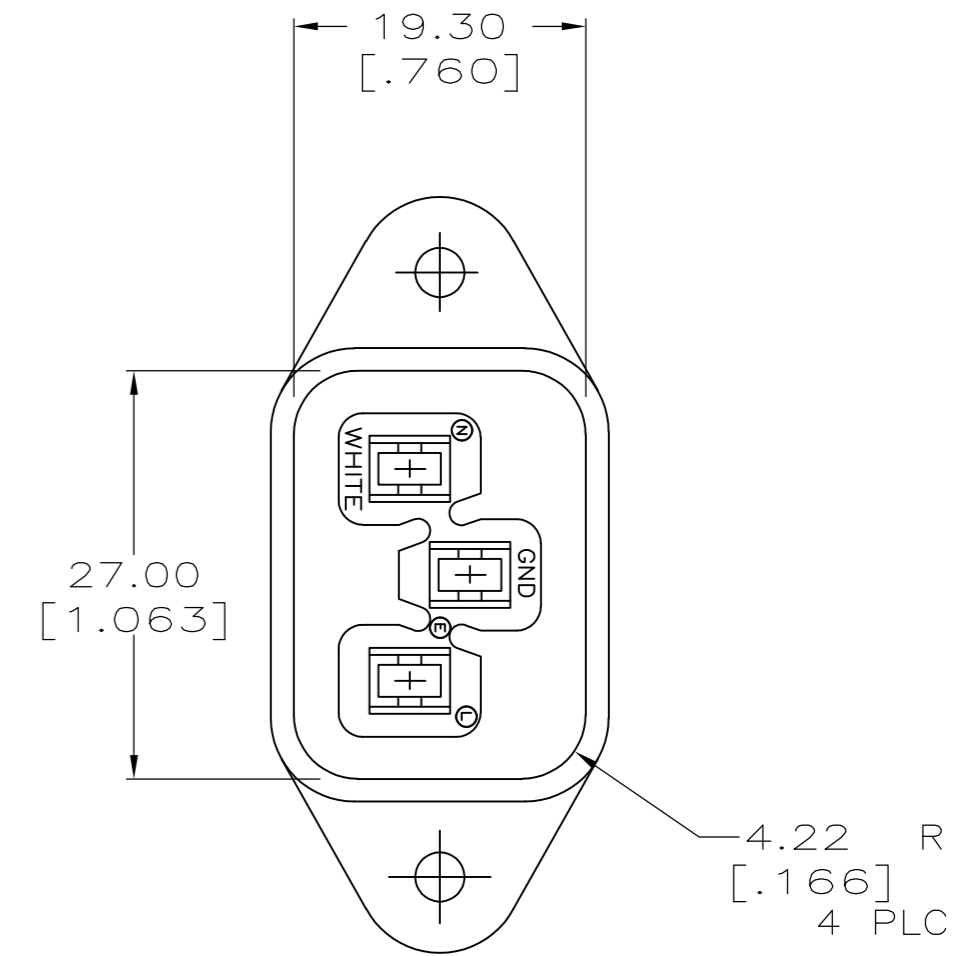
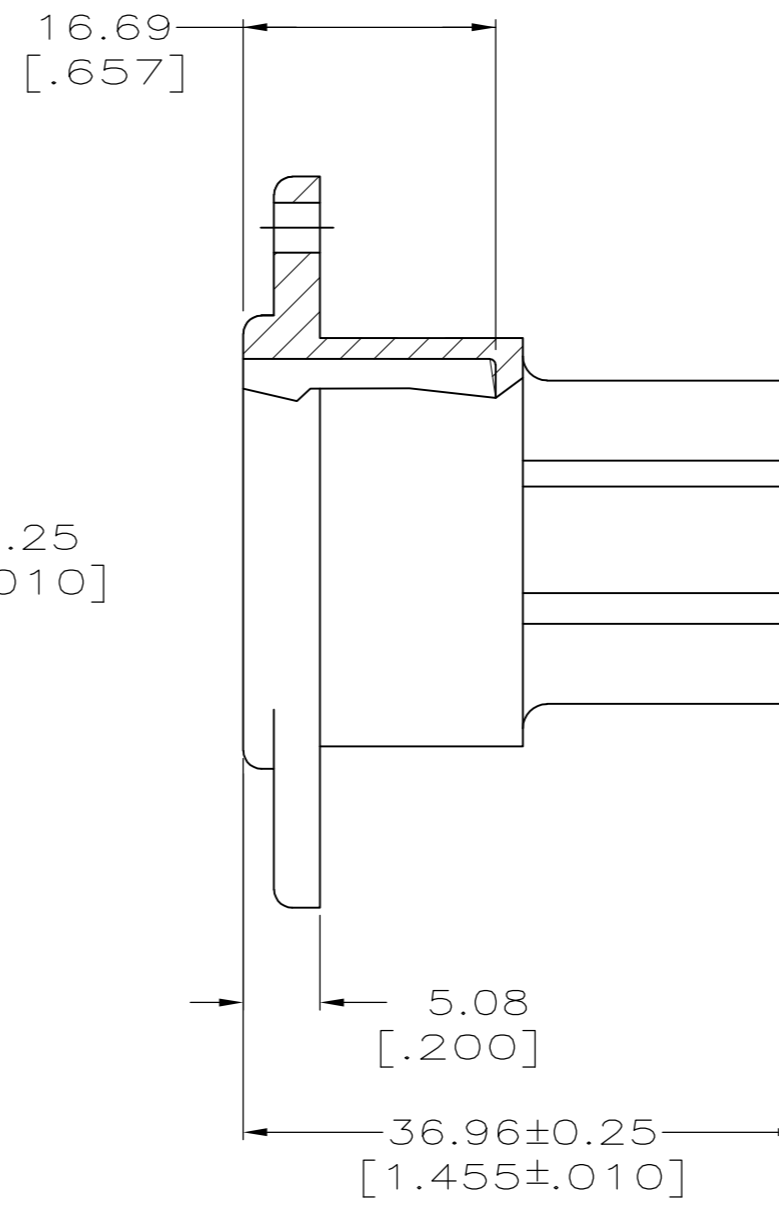
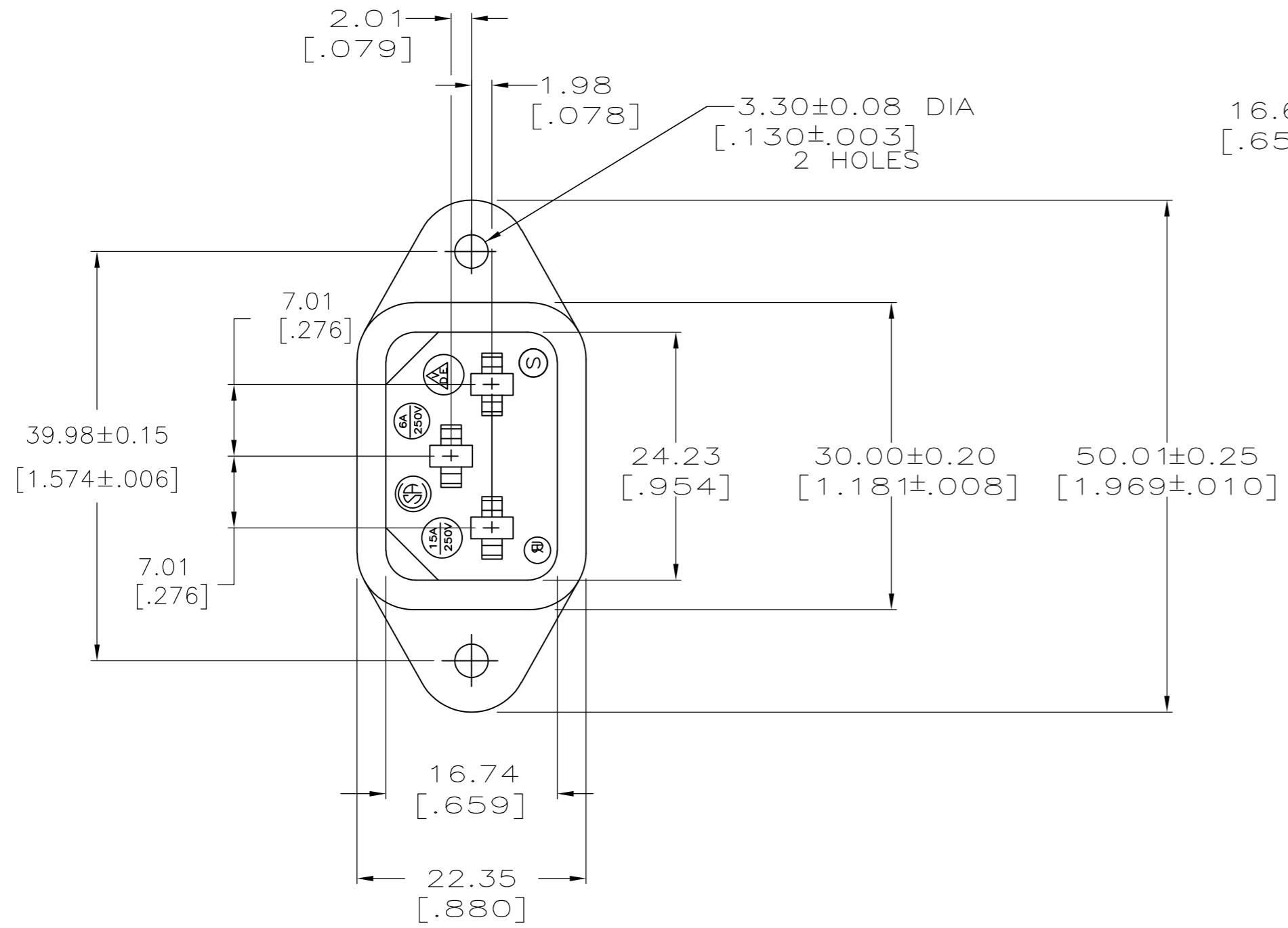


THIS DRAWING IS UNPUBLISHED. RELEASED FOR PUBLICATION  
 © COPYRIGHT - By - ALL RIGHTS RESERVED.

LOC		DIST		REVISIONS			
P	LTR	DESCRIPTION		DATE	DWN	APVD	
FT	0	M1		REVISED PER ECO-11-005027	11MAR11	RK	HMR



RECOMMENDED PANEL OPENING

1 MATERIAL: PLYESTER, UL94V-0 RATED, GLASS FILLED, BLACK.

THIS DRAWING IS A CONTROLLED DOCUMENT.		DWN	04-18-91	<b>TE</b> TE Connectivity	
		CHK	05-09-91		
DIMENSIONS: mm		TOLERANCES UNLESS OTHERWISE SPECIFIED:		NAME	
<ul style="list-style-type: none"> <li>0 PLC ± -</li> <li>1 PLC ± -</li> <li>2 PLC ± 0.13[.005]</li> <li>3 PLC ± -</li> <li>4 PLC ± -</li> <li>ANGLES ± -</li> <li>FINISH -</li> </ul>		<ul style="list-style-type: none"> <li>PRODUCT SPEC -</li> <li>APPLICATION SPEC -</li> <li>WEIGHT -</li> </ul>		RECEPTACLE, POWER CORD	
MATERIAL - 1		SIZE	A2	CAGE CODE	00779
		DRAWING NO	C=206637		RESTRICTED TO
CUSTOMER DRAWING		SCALE	2:1	SHEET	1 OF 1
		REV	M1		

206637-1  
PART NUMBER

206637