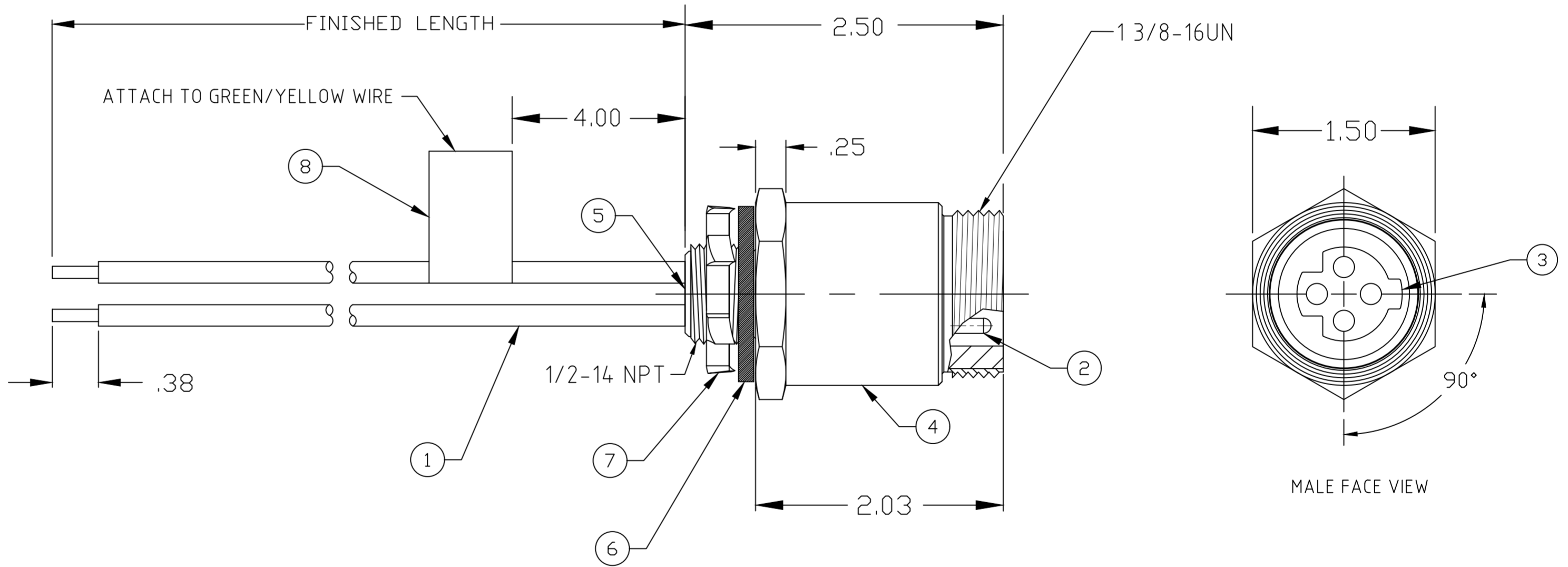


CABLE LENGTH TOLERANCES
 >.3M [1FT]: +19mm-0 [+.75in-0]
 .3 - .9M [1 - 3FT]: +44.5mm-0 [+1.75in-0]
 .9 - 1.8M [3 - 6FT]: +55.6mm-0 [+2.19in-0]
 1.8 - 3.7M [6 - 12FT]: +88.9mm-0 [+3.50in-0]
 3.7 - 7.3M [12 - 24FT]: +165.1mm-0 [+6.50in-0]
 7.3-14.6M [24 - 48FT]: +317.5mm-0 [+12.50in-0]
 14.6 - 30.5M [48-100FT]: +622.3mm-0 [+24.50in-0]
 OVER 30M [100FT] +2% OF FINISHED LENGTH

PART NUMBER	ENGINEERING NUMBER	LENGTH
1300660021	CR3106A29M010	39.4 IN [1.0M]

PART NUMBER MATRIX
 CR3106A29M010
 POLE COUNT 3 AND 4
 FINISHED LENGTH:
 A120= 12 IN.
 F020= 2 FEET
 F100= 10 FEET
 M005= 0.5 METER
 M010= 1.0 METER
 M100= 10.0 METER

- NOTES:**
 1. MATERIAL: AS NOTED
 2. FINISH: AS NOTED
 3. ELECTRICAL:
 VOLTAGE PER IEC 60664: 500V
 600V PER UL 2237
 CURRENT: 20A
 4. TEMP RATING: -20°C TO +90°C
 5. PROTECTION: IP67 (WHEN MATED)
 6. COUPLING THREAD: AS NOTED
 7. UL LISTED FILE: PENDING
 8. ALL DIMS ARE FOR REFERENCE UNLESS TOLERANCED OR NOTED OTHERWISE



8	FLAG LABEL	VINYL	YELLOW
7	LOCKNUT	STEEL	ZINC PLATE
6	GASKET	NEOPRENE	BLACK
5	POTTING MATERIAL	EPOXY	BLACK
4	RECEPTACLE SHELL	6061-T6 ALUMINUM	BLACK ANODIZED
3	MALE INSERT	TPE	BLACK
2	CONTACT PIN	COPPER ALLOY	GOLD PLATED
1	WIRE, 12 AWG UL 1015	PVC JACKET	SEE FACE VIEW
ITEM	DESCRIPTION	MATERIAL	FINISH

THIS DRAWING CONTAINS INFORMATION THAT IS PROPRIETARY TO MOLEX ELECTRONIC TECHNOLOGIES, LLC AND SHOULD NOT BE USED WITHOUT WRITTEN PERMISSION

SYMBOLS	DIMENSION UNITS	SCALE	CURRENT REV DESC: INITIAL RELEASE
▽ = 0	HYBRID	1:1	
▽ = 0	GENERAL TOLERANCES (UNLESS SPECIFIED)		
▽ = 0			
▽ = 0	4 PLACES	±----	EC NO: 631946
▽ = 0	3 PLACES	±----	DRWN: RSTONE 2020/03/17
▽ = 0	2 PLACES	±----	CHK'D: MZIELINSKI 2020/04/03
▽ = 0	1 PLACE	±----	APPR: BWOODMAN 2020/04/07
▽ = 0	0 PLACES	±----	INITIAL REVISION:
▽ = 0	ANGULAR TOL ± ---- °		DRWN: RSTONE 2020/03/17
▽ = 0	DRAFT WHERE APPLICABLE MUST REMAIN WITHIN DIMENSIONS		APPR: BWOODMAN 2008/09/05
	THIRD ANGLE PROJECTION	DRAWING	SERIES
		C-SIZE	130066

DOCUMENT NUMBER		DOC TYPE	DOC PART	REVISION
1300660021		PSD	000	A
MATERIAL NUMBER		CUSTOMER		SHEET NUMBER
		----		1 OF 1

molex
 BRAD POWER RECEPTACLE
 MALE, ALT KEY, 1/2 NPT, 12AWG
 PRODUCT CUSTOMER DRAWING