

**Style**

M12 Socket, shielded  
5 pin  
A-coding

**Ratings**

Voltage: 60 V  
Current: 4 A

**Operating Temperature Range**

-40~105°C

**Materials**

- ① Insulator: Polyamide 66 (PA66), UL94 HB, black
- ② Pin: C5191 phosphor bronze, gold plating
- ③ Shell: C3604 brass, nickel plated
- ④ Nut: C3604 brass, nickel plated
- ⑤ O-ring: Nitrile rubber, green/black

**Electrical Requirements**

Dielectric strength: 1 min @ 500 Vac  
Insulation resistance: 100 MΩ @ 500 Vdc  
Contact resistance: 10 mΩ or less

**Mechanical Requirements**

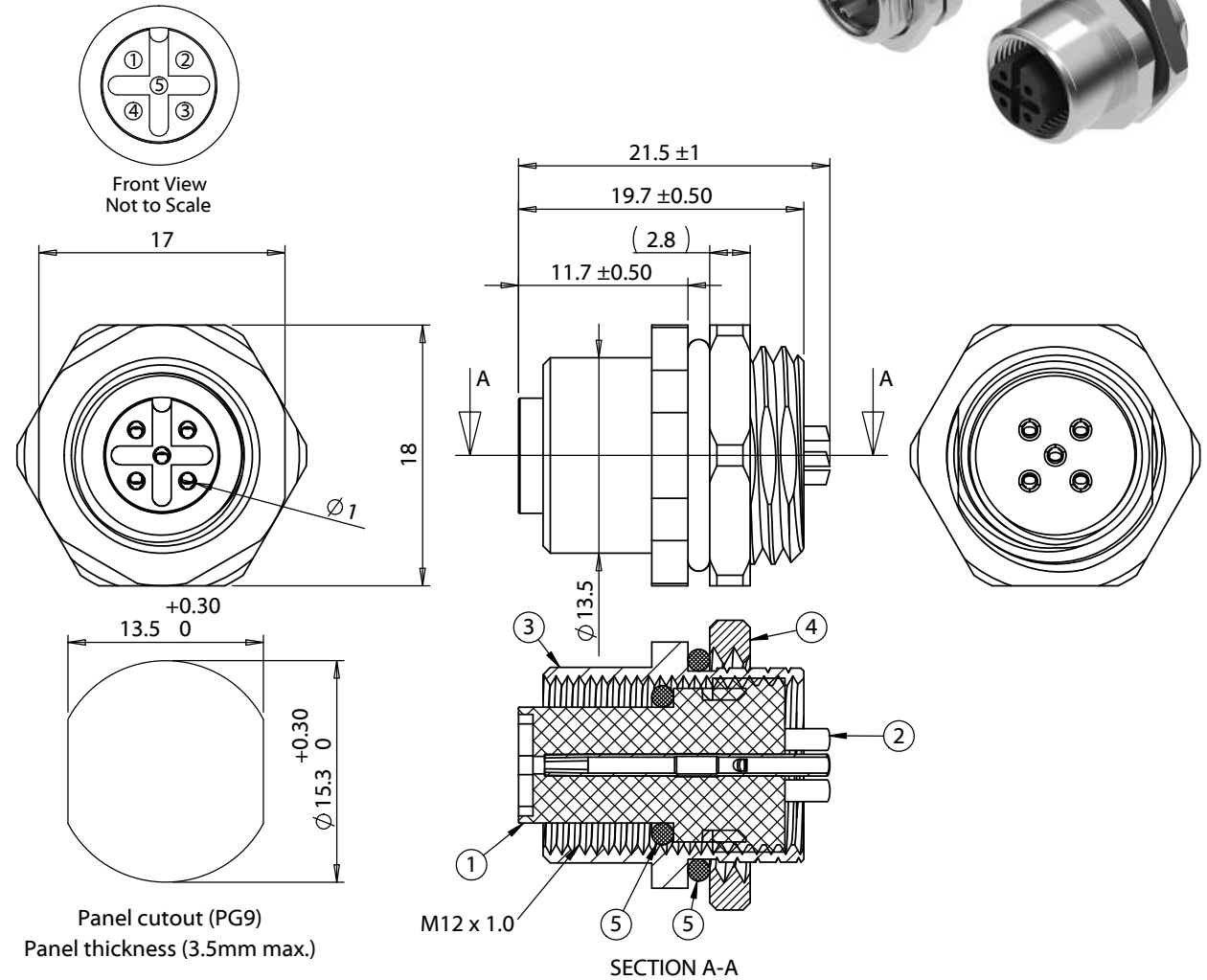
Life cycle: 500 mating cycles minimum

**Environmental Requirements**

Salt spray test: 35 °C, relative humidity 90-95%, 5% NaCl mist for 48 hrs. Wash parts after test. Maintain mechanical requirements and a contact resistance of less than 10 mΩ.  
Waterproof: IP67

**Assembly Info**

Wire gauge: 22 AWG max



Revision:	Date:	Description:	Prepared:	Notes:	<h1>TENSILITY</h1> tel 1.541.323.3228 800 877.670.7118 fax 1.541.323.4202 web tensility.com	
A	10/1/2020	Initial release	JC <small>Digitally signed by JC Date: 2020.10.23 12:45:23 -07'00'</small>	RoHS compliant		
			Verified:	Function test: no open, no short circuit, no intermittent	Size: Part number: A 54-00182	
			AG <small>Digitally signed by AG Date: 2020.10.23 13:05:18 -07'00'</small>	Description:		
			Dimensions are in millimeters. Tolerances: X: ± 0.3 mm X.X: ± 0.1 mm X.XX: ± 0.05 mm	Connector, 5 pin M12 A-code socket, 12xL21.5mm, gold plated, panel mount, solder cup, IP67	Scale: 2:1	
						Sheet 1 of 1