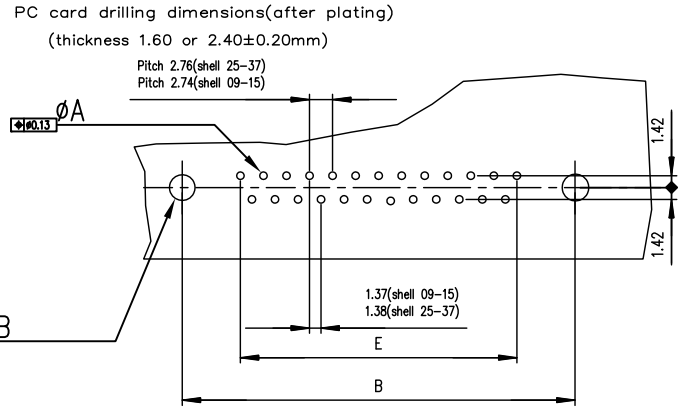
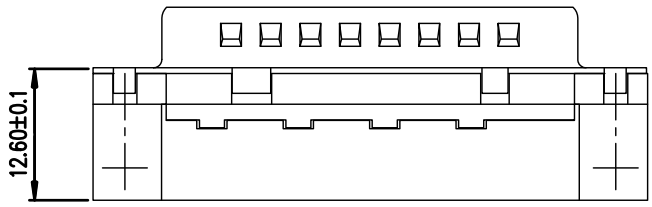
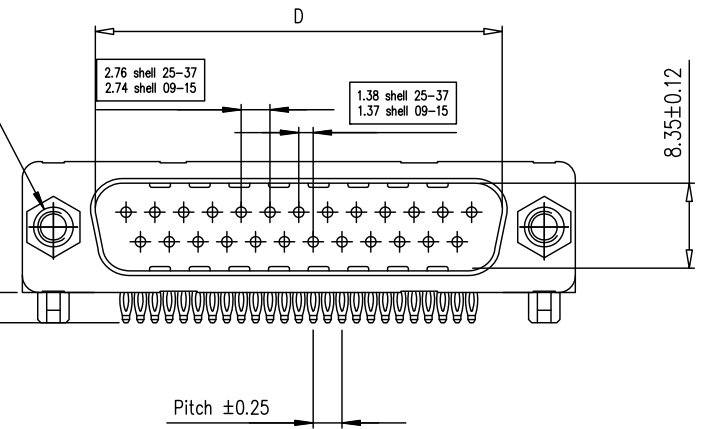
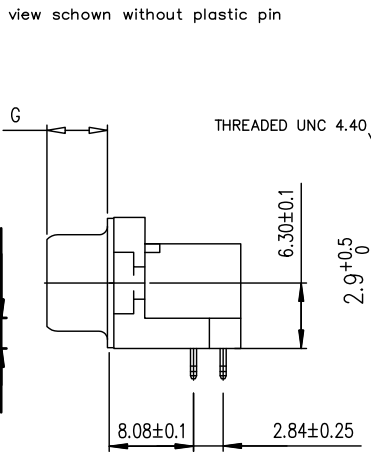
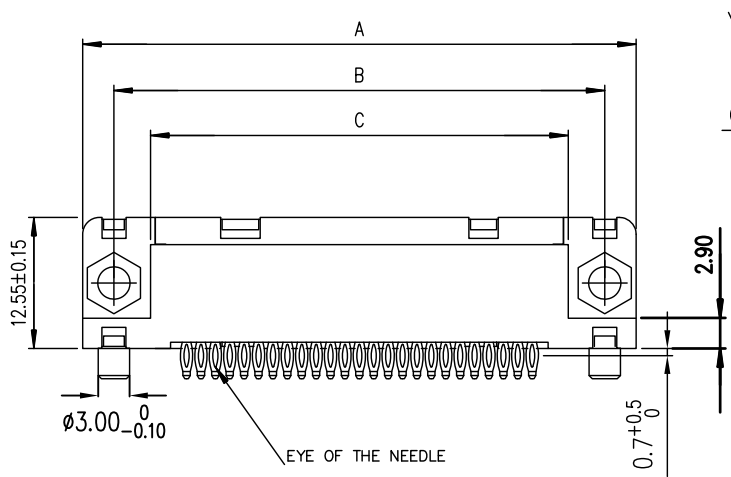
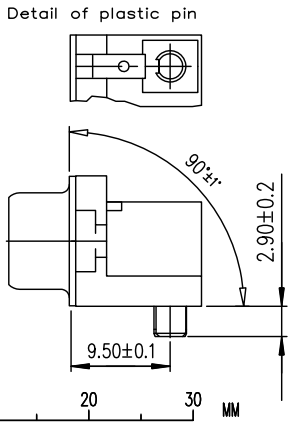


Amphenol FCI

© 2016 APCI



SHELL	A±	0.38	B±	0.12	C±	±0.10	D	+0.25 0	E±	0.07	G	PART NUMBER	PART NUMBER
09	30.81		24.99		18.00		16.79		10.96		5.90 ^{+0.15} ₀	D09P80C4PX00LF	D09P80C6PX00LF
15	39.14		33.32		26.32		25.12		19.18		5.90 ^{+0.15} ₀	D15P80C4PX00LF	D15P80C6PX00LF
25	53.03		47.04		40.04		38.84		33.12		5.70 ^{+0.25} ₀	D25P80C4PX00LF	D25P80C6PX00LF
37	69.32		63.50		56.50		55.30		49.68		5.70 ^{+0.25} ₀	D37P80C4PX00LF	D37P80C6PX00LF
												Gold flash	0,76 » gold



GENERAL CHARACTERISTICS AND ROHS INFORMATIONS:
SEE DRAWING C01-8646-0001

mat'l. code		surface ISO 1302 ✓		tolerance ISO 406 ISO 1101		projection		product family D-SUB	
ltr		ecn no		dr		date		title	
A		LS08-0211		MPE		2008-11-12		MALE CONNECTOR USA	
B		ELX-I-24379		AAB		2016-06-22		RIGHT ANGLED PRESS-FIT	
								scale 2:1	
				dr		PESSON		2008-11-12	
				engr		MITHUN PAUL		2016-06-22	
				chr		ATHUL A.B		2016-06-22	
				appd		BIJU K PAUL		2016-06-22	
sheet index		revision		B				type Product Customer Drawing	
		sheet		1					