

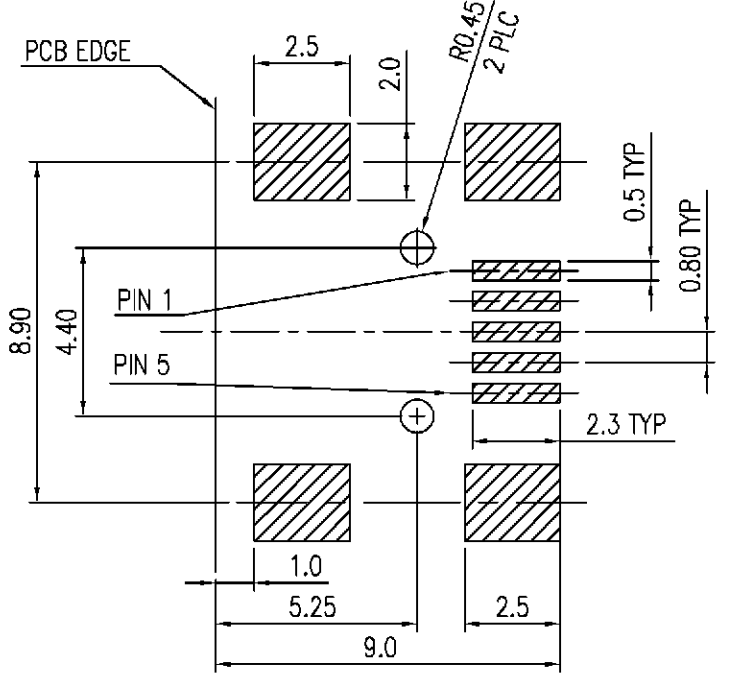
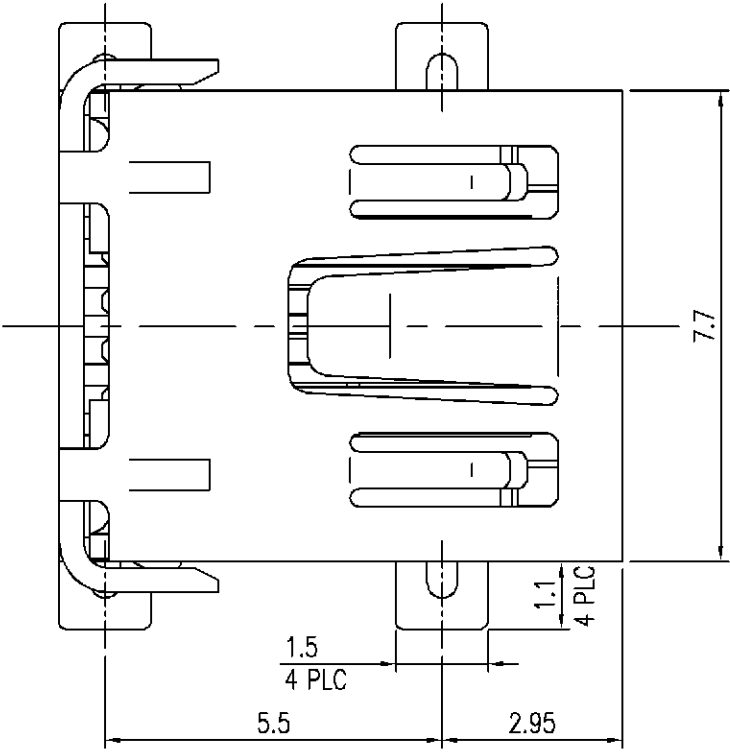
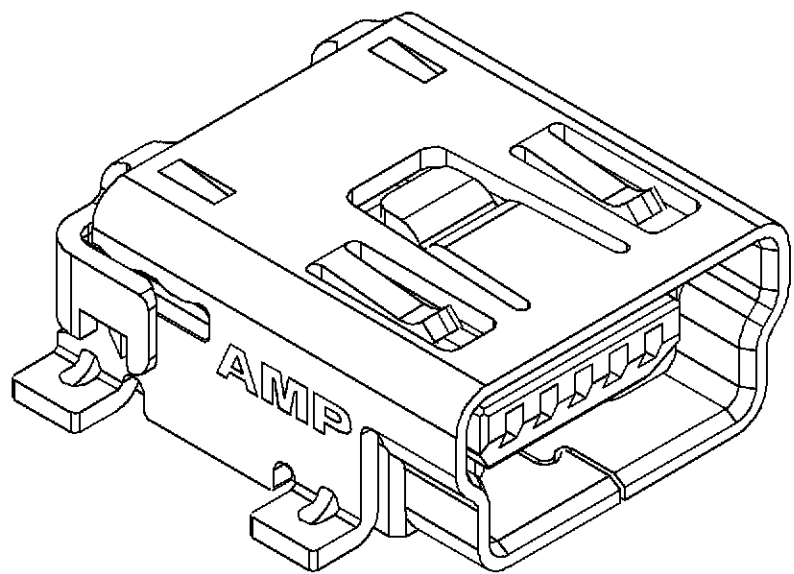
NUMBER
C-440247

3RD ANGLE PROJECTION

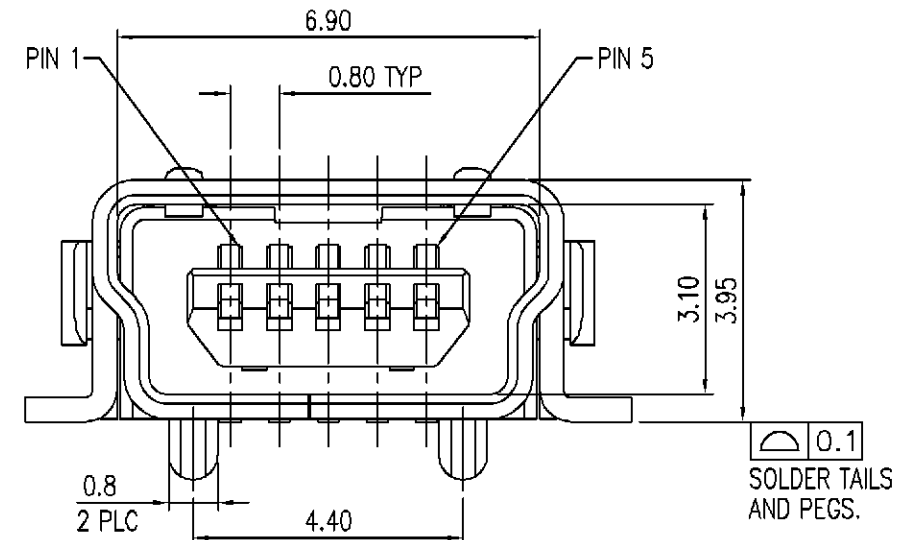
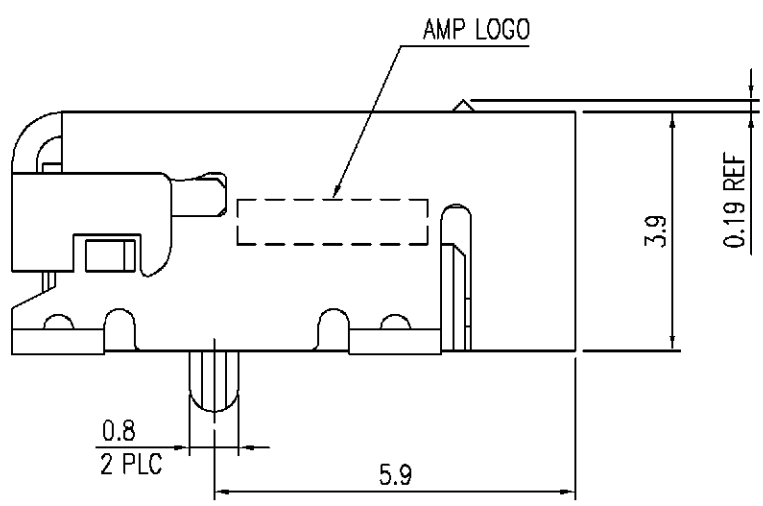
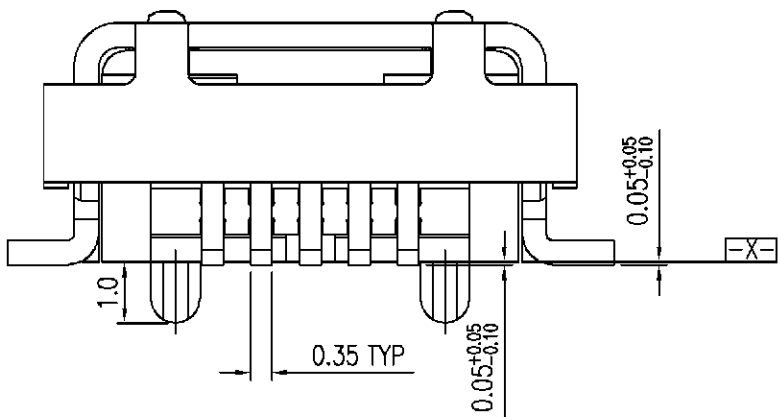
METRIC

THIS INFORMATION IS CONFIDENTIAL AND IS DISCLOSED TO YOU ON CONDITION THAT NO FURTHER DISCLOSURE IS MADE BY YOU TO OTHER THAN AMP PERSONNEL WITHOUT WRITTEN AUTHORIZATION FROM AMP (TAIWAN) LTD. DIMENSION IN MILLIMETERS. DO NOT SCALE PRINT.

PRINT
DW



RECOMMENDED PCB LAYOUT (MOUNTING SIDE)
THICKNESS 1.57mm



NOTE:
 1. MATERIAL:
 HOUSING: HIGH TEMPERATURE THERMOPLASTIC UL 94V-0, COLOR: BLACK.
 CONTACT: PHOSPHOR BRONZE.
 SHELL: PHOSPHOR BRONZE.
 2. FINISH:
 CONTACT: 30u" MIN. GOLD PLATED IN CONTACT AREA, 100u" MIN. TIN-LEAD
 TIN ON SOLDER TAILS, 50u" MIN. NICKEL UNDERPLATED ALL OVER.
 SHELL: 100u" MIN. HALF-BRIGHT TIN OVER 100u" MIN. Cu UNDERPLATED.

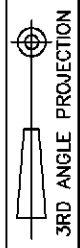
W/	W/O	TAPE REEL	W/	440247-4
W/O	W/	TAPE REEL	W/	440247-3
W/O	W/O	TAPE REEL	W/	440247-2
W/O	N/A	TRAY	W/	440247-1
MYLAR	LONG CARRIER & COVER TAPE	PACKAGE	POST	PART NUMBER

DIMENSION :		DWN	O. HU	TYCO HOLDINGS (BERMUDA) VII LTD. TAIWAN BRANCH
0 PLC ±0.38		27-JUN-2003		
1 PLC ±0.25		CHK	A. WU	NAME
2 PLC ±0.13		27-JUN-2003		
3 PLC ±0.05		APVD		MINI USB RIGHT ANGLE, SMT, B TYPE
ANGLES ±3'		J. CHENG		
MATERIAL		27-JUN-2003		LOC SIZE DRAWING NO DW A ₃ C-440247 REV D
SEE NOTE		PRODUCT SPEC		
FINISH		108-57062		SCALE SHEET -- 1 OF 4
SEE NOTE		APPLICATION SPEC		
D		ADD P/N FOR PACKAGE		DATE
LTR		REVISION RECORD		
FZ00-0149-03		OH AW		DATE
ECN		DWN CHK		
04JUL 2003		DATE		

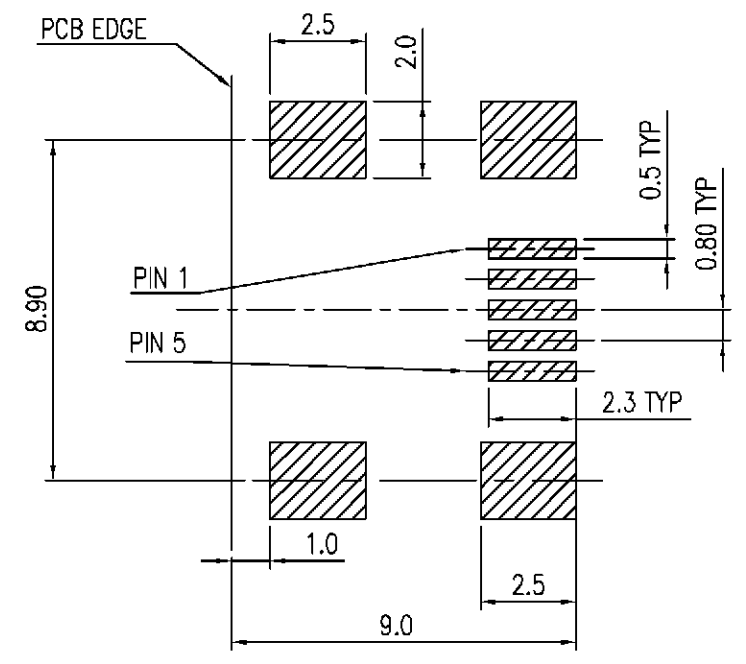
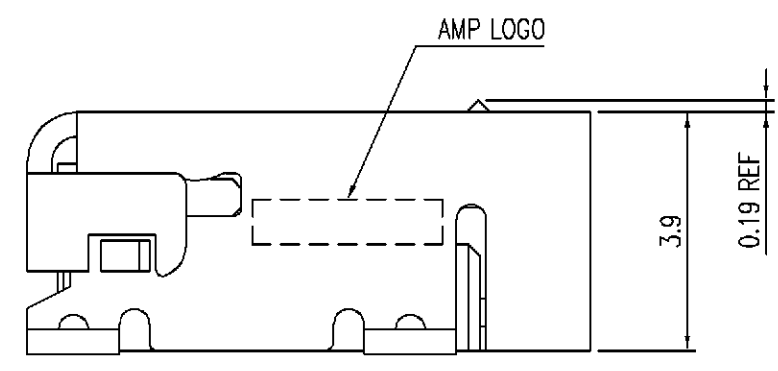
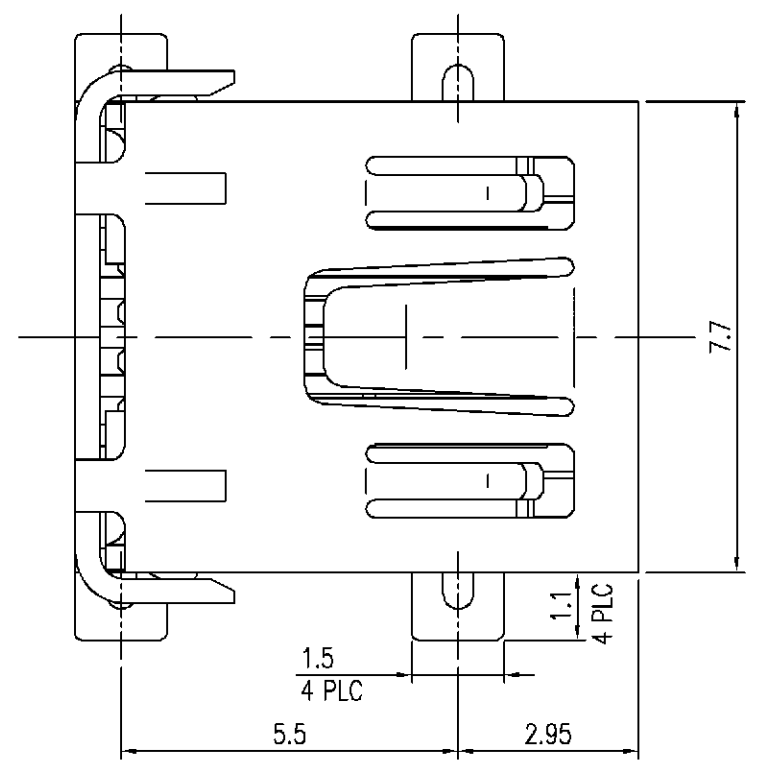
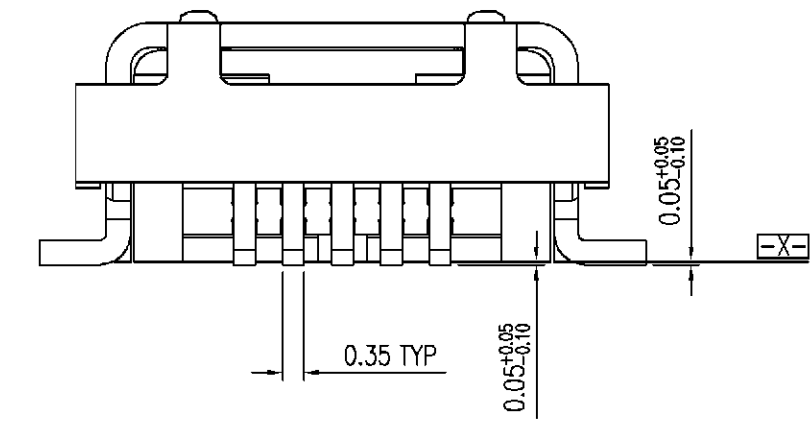
THIS INFORMATION IS CONFIDENTIAL AND IS DISCLOSED TO YOU ON CONDITION THAT NO FURTHER DISCLOSURE IS MADE BY YOU TO OTHER THAN AMP PERSONNEL WITHOUT WRITTEN AUTHORIZATION FROM AMP (TAIWAN) LTD. DIMENSION IN MILLIMETERS. DO NOT SCALE PRINT.

PRINT DIST
DW

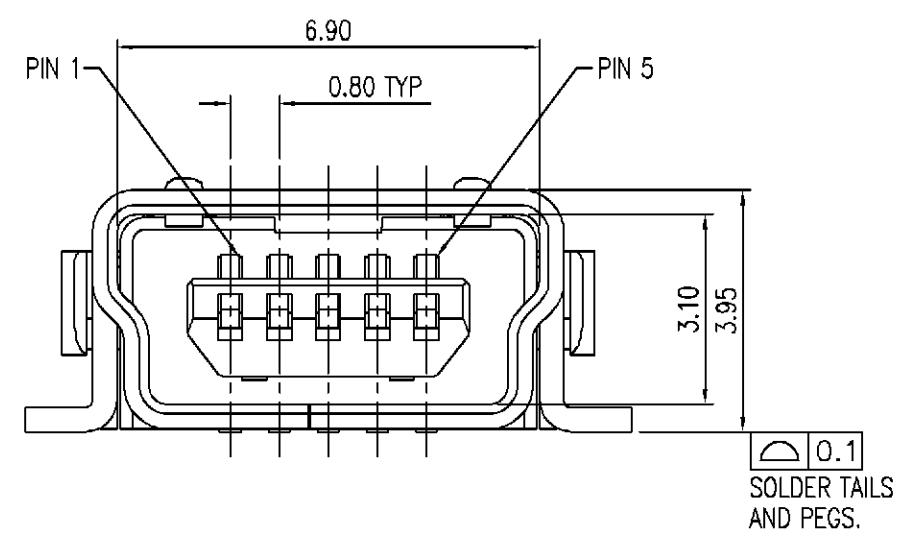
METRIC



NUMBER
C-440247



RECOMMENDED PCB LAYOUT (MOUNTING SIDE)
THICKNESS 1.57mm



W/O	W/	TAPE REEL	W/O	1-440247-3
	W/O	TAPE REEL	W/O	1-440247-2
	N/A	TRAY	W/O	1-440247-1
MYLAR	LONG CARRIER & COVER TAPE	PACKAGE	POST	PART NUMBER

DIMENSION : 0 PLC ±0.38 1 PLC ±0.25 2 PLC ±0.13 3 PLC ±0.05 ANGLES ±3'	DWN	O. HU 27-JUN-2003	 TYCO HOLDINGS (BERMUDA) VII LTD. TAIWAN BRANCH			
	CHK	A. WU 27-JUN-2003				
MATERIAL	APVD	J. CHENG 27-JUN-2003	MINI USB RIGHT ANGLE, SMT, B TYPE			
SEE SHEET 1.	PRODUCT SPEC	108-57062				
FINISH	APPLICATION SPEC	-	LOC DW	SIZE A₃	DRAWING NO C-440247	REV D
SEE SHEET 1.	WEIGHT	-	SCALE	--	SHEET	2 OF 4

LTR	SEE SHEET 1.	ECN	DWN CHK	DATE
	REVISION RECORD			

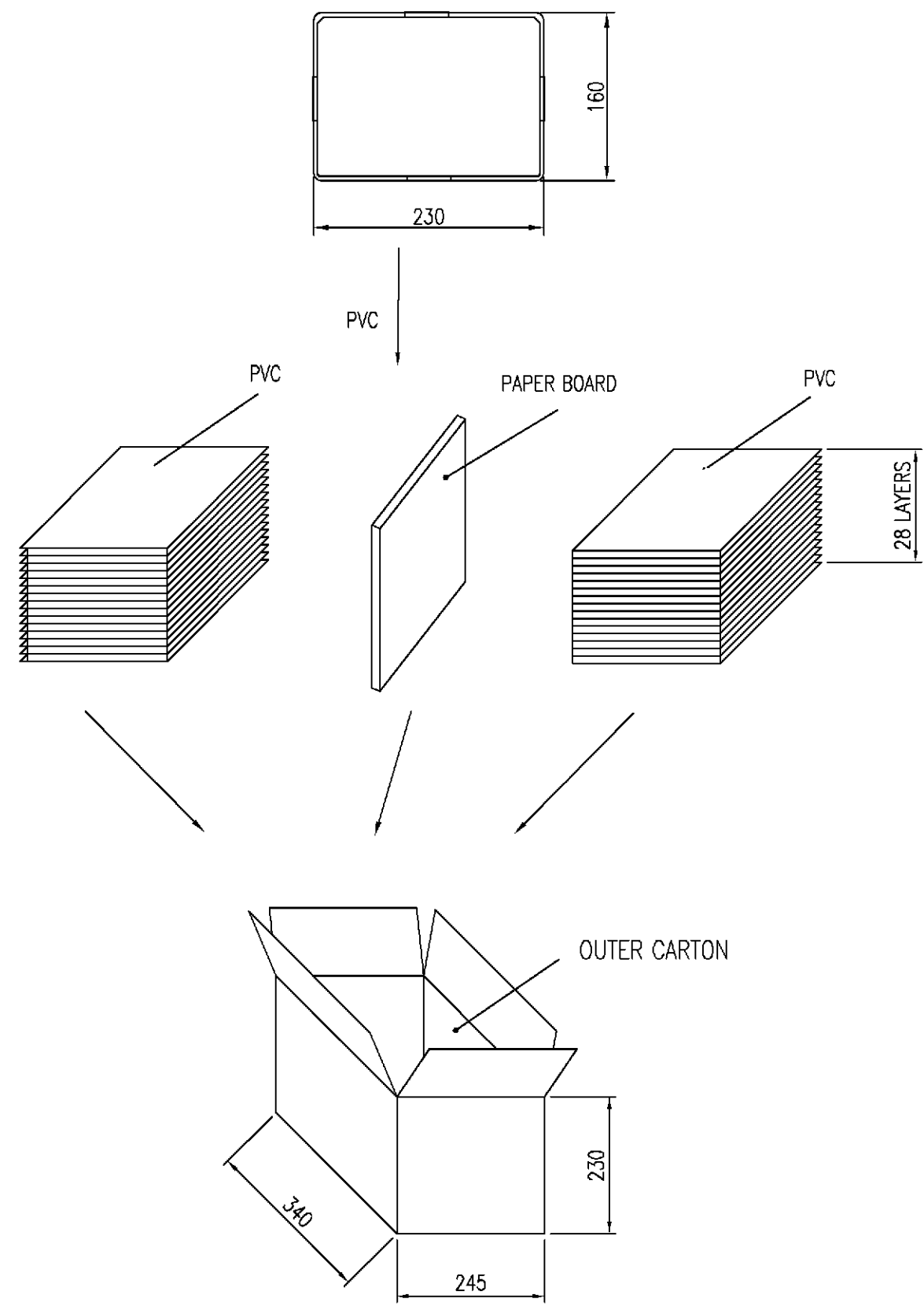
NUMBER
C-440247



METRIC

THIS INFORMATION IS CONFIDENTIAL AND IS DISCLOSED TO YOU ON CONDITION THAT NO FURTHER DISCLOSURE IS MADE BY YOU TO OTHER THAN AMP PERSONNEL WITHOUT WRITTEN AUTHORIZATION FROM AMP (TAIWAN) LTD. DIMENSION IN MILLIMETERS. DO NOT SCALE PRINT.

PRINT DIST
DW



9.2	6.7	8400 (56 TRAY)	150	1-440247-1
				440247-1
G.W(KGS)	N.W(KGS)	PACKAGING QTY' / CARTON	PCS/TRAY	PART NUMBER
DIMENSION :		DWN	O. HU	 TYCO HOLDINGS (BERMUDA) VII LTD. TAIWAN BRANCH
0 PLC ±		27-JUN-2003	NAME	
1 PLC ±		CHK	A. WU	
2 PLC ±		27-JUN-2003		
3 PLC ±		APVD		MINI USB RIGHT ANGLE, SMT, B TYPE
ANGLES ±		J. CHENG		
MATERIAL		27-JUN-2003		
-		PRODUCT SPEC		
-		APPLICATION SPEC		
FINISH		WEIGHT		LOC
-		SCALE		SIZE
				DRAWING NO
				REV
				D
				SHEET
				3 OF 4

SEE SHEET 1.	ECN	DWN	CHK	DATE
LTR	REVISION RECORD			

NUMBER
C-440247

METRIC
3RD ANGLE PROJECTION

METRIC

THIS INFORMATION IS CONFIDENTIAL AND IS DISCLOSED TO YOU ON CONDITION THAT NO FURTHER DISCLOSURE IS MADE BY YOU TO OTHER THAN AMP PERSONNEL WITHOUT WRITTEN AUTHORIZATION FROM AMP (TAIWAN) LTD. DIMENSION IN MILLIMETERS. DO NOT SCALE PRINT.

PRINT
DW

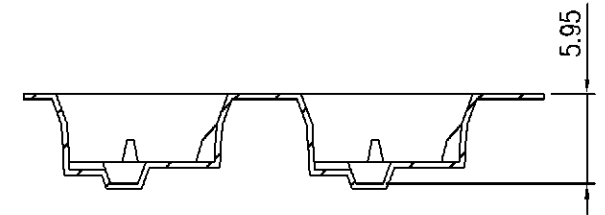
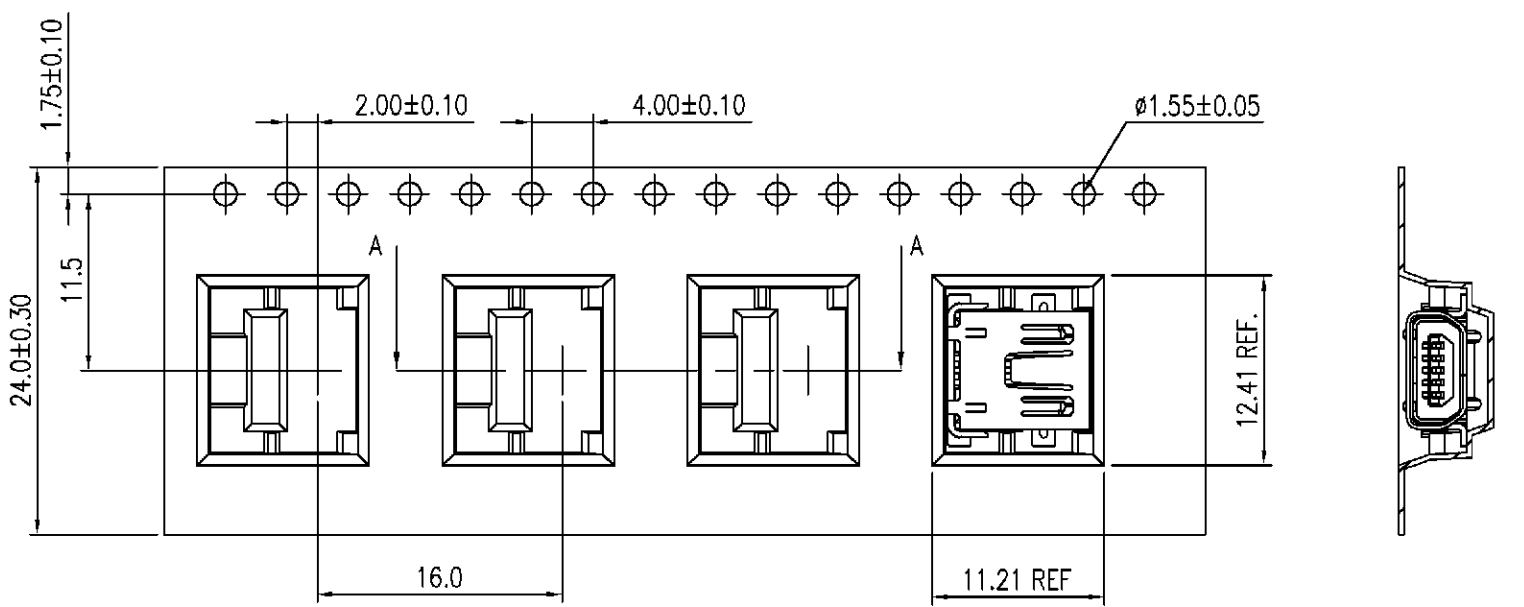
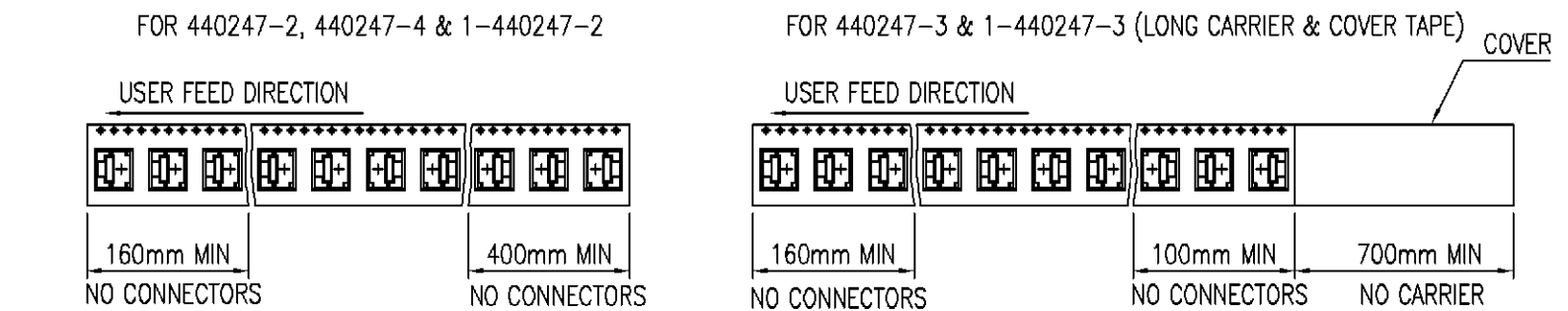
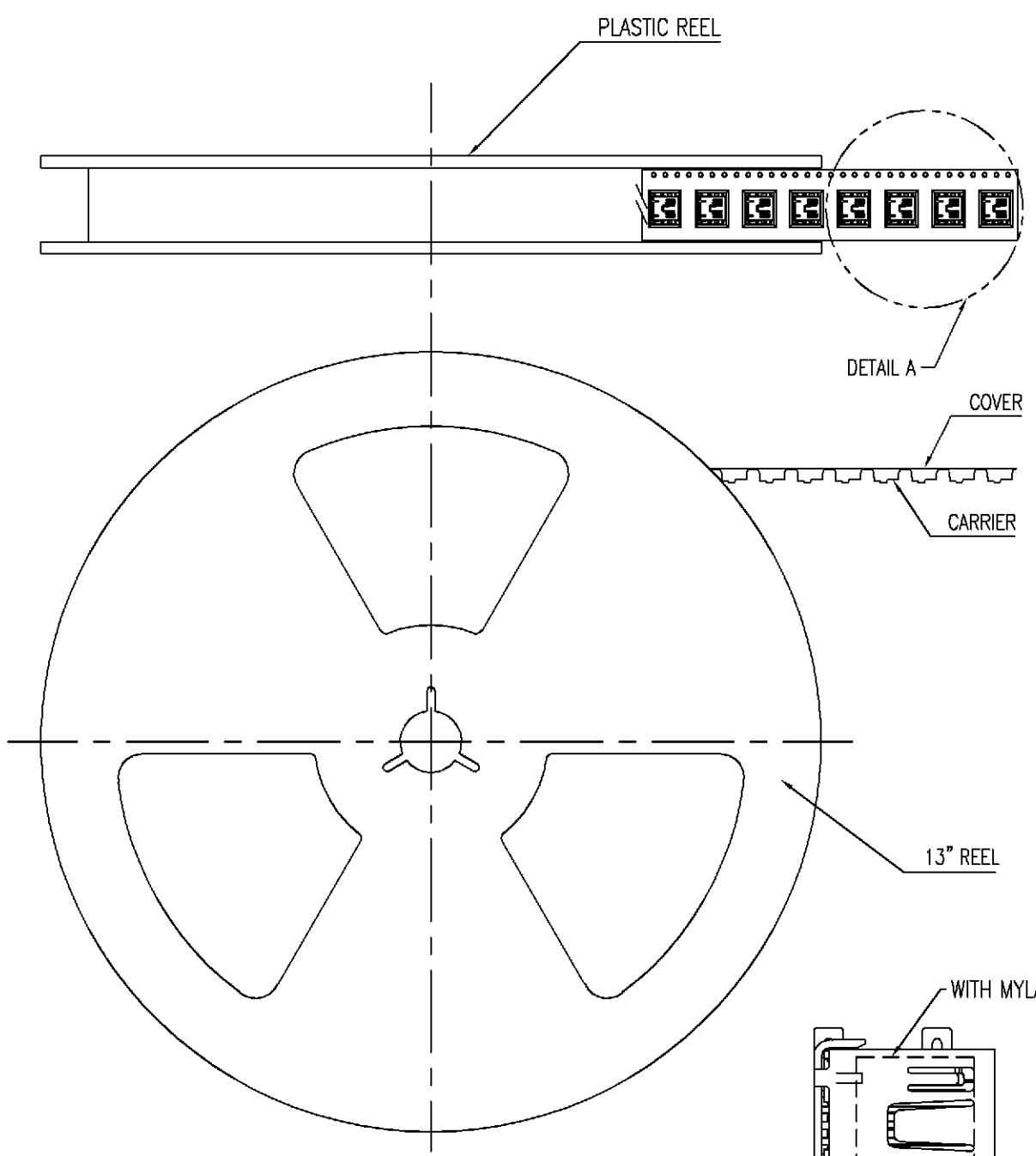
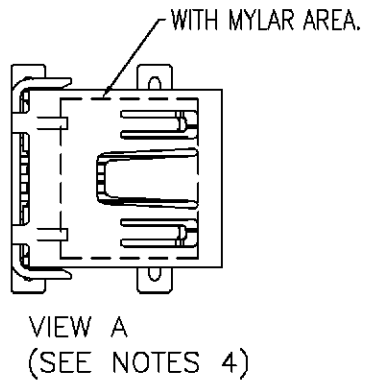
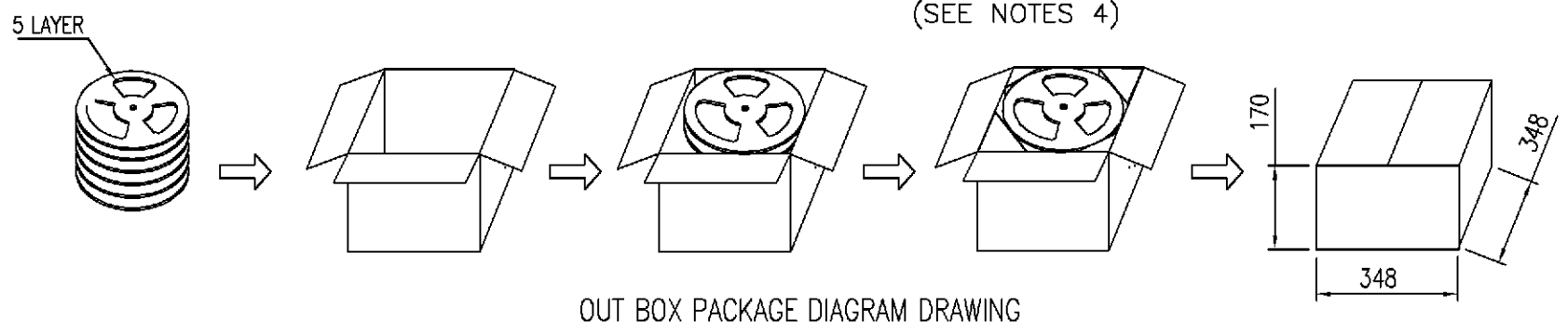


FIGURE E



- NOTES:
1. APPLICABLE DOCUMENT : EIA-481-2
 2. PACKAGE: 700 PCS/REEL , 5 REEL/BOX
W.G. : 6.5Kg , N.G. : 5.5Kg
 3. QUANTITY: 3500 PCS.
 4. VIEW SHOW THE MYLAR AREA FOR P/N 440247-4



W/O	W/	1-440247-3
W/O	W/O	1-440247-2
W/	W/O	440247-4
W/O	W/	440247-3
W/O	W/O	440247-2
MYLAR	LONG CARRIER & COVER TAPE	PART NUMBER

DIMENSION : 0 PLC ± 1 PLC ± 2 PLC ± 3 PLC ± ANGLES ±	DWN	O. HU 27-JUN-2003	 TYCO HOLDINGS (BERMUDA) VII LTD. TAIWAN BRANCH
	CHK	A. WU 27-JUN-2003	
MATERIAL	APVD	J. CHENG 27-JUN-2003	MINI USB RIGHT ANGLE, SMT, B TYPE
	PRODUCT SPEC	-	
FINISH	APPLICATION SPEC	-	LOC SIZE DRAWING NO DW A ₃ C-440247 REV D
	WEIGHT	-	
SCALE		--	SHEET 4 OF 4

SEE SHEET 1.	ECN	DWN	CHK	DATE
LTR	REVISION RECORD			