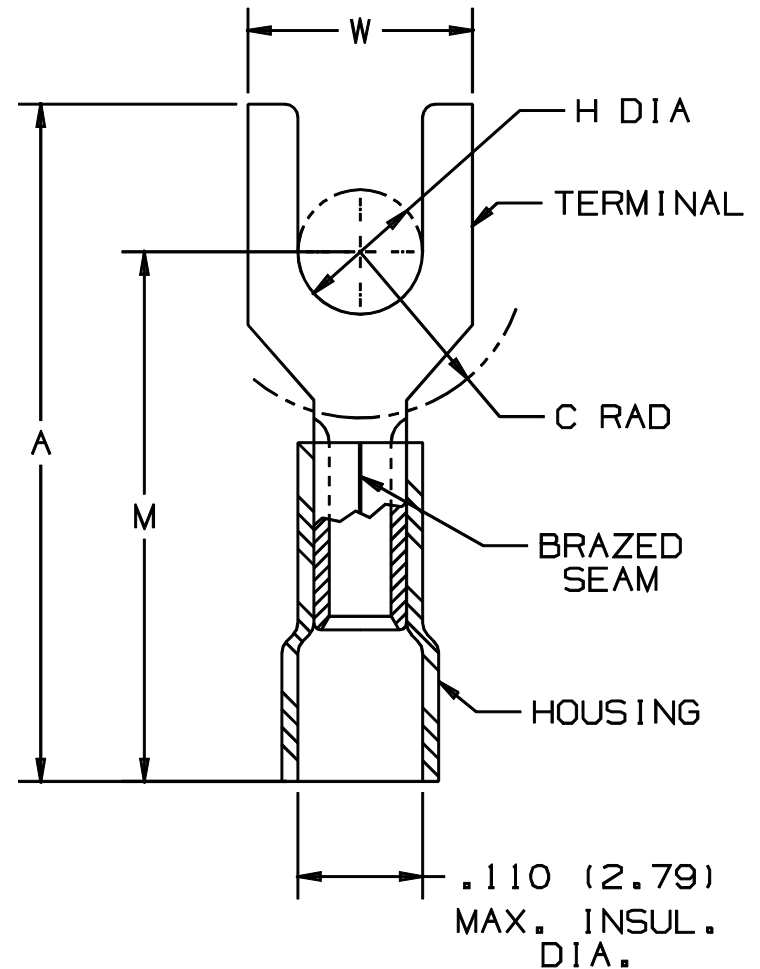


THIS COPY IS PROVIDED ON A RESTRICTED BASIS AND IS NOT TO BE USED IN ANY WAY DETRIMENTAL TO THE INTERESTS OF PANDUIT CORP.

| PANDUIT PART NUMBER | STUD SIZE | DIMENSIONS in. |               |               |                |               |
|---------------------|-----------|----------------|---------------|---------------|----------------|---------------|
|                     |           | A $\pm .030$   | W $\pm .010$  | C $\pm .015$  | M $\pm .020$   | H $\pm .010$  |
| PV22-4F             | #4        | .67<br>(17.02) | .20<br>(5.08) | .21<br>(5.33) | .56<br>(14.22) | .12<br>(3.05) |
| PV22-6F             | #6        | .76<br>(19.30) | .25<br>(6.35) | .26<br>(6.60) | .62<br>(15.75) | .14<br>(3.56) |

NOTES:

- RECOMMENDED FOR:
  - 600V. MAX. VOLTAGE RATING
  - #26-22 AWG SOLID OR STRANDED COPPER WIRE
  - 221° F (105° C) MAX. TEMP. RATING
- MATERIAL:
  - STAMPING - .020 (0.51) THK COPPER, TIN PLATED
  - HOUSING - VINYL, YELLOW
- PACKAGE QTY: STD. PKG. -C=100  
BULK PKG. -M=1000
- DIMENSIONS IN BRACKETS ARE IN MILLIMETERS
- INSTALLATION TOOLS: CT-520, CT-1525



A41232\_07

|     |       |     |     |                                    |       |      |      |  |                       |               |                       |
|-----|-------|-----|-----|------------------------------------|-------|------|------|--|-----------------------|---------------|-----------------------|
| 07  | 1/01  | KMD |     | CAD FILE SPEC. WAS N41232AA_PCD_06 |       |      |      |  | TINLEY PARK, ILLINOIS |               |                       |
| 06  | 5/99  | JKD |     | ADDED CT-1525 TOOL                 | 07632 |      |      |  |                       |               |                       |
| 05  | 10/94 | MS  | RLS | UPDATE NOTES AND DIMENSIONS        | 02510 | LCA  | TFKE | #26-22 BARREL VINYL INSULATED FORK,<br>.110 (2.79) MAX. WIRE INSUL. DIA. |                       |               |                       |
| 04  | 7-88  | DW  |     | REDRAWN WITH REVISIONS             |       | LCA  | JRB  |  |                       |               |                       |
| REV | DATE  | BY  | CHK | DESCRIPTION                        | ECN   | CUST | PM   | DRAWN BY<br>DAW  | CHK'D<br>CH           | SCALE<br>NONE | DRAWING NO.<br>41232A |