

4

3

2

1

COPYRIGHT ©2010
NATIONAL INSTRUMENTS CORPORATION AND ITS LICENSORS. ALL RIGHTS RESERVED.

D

D

C

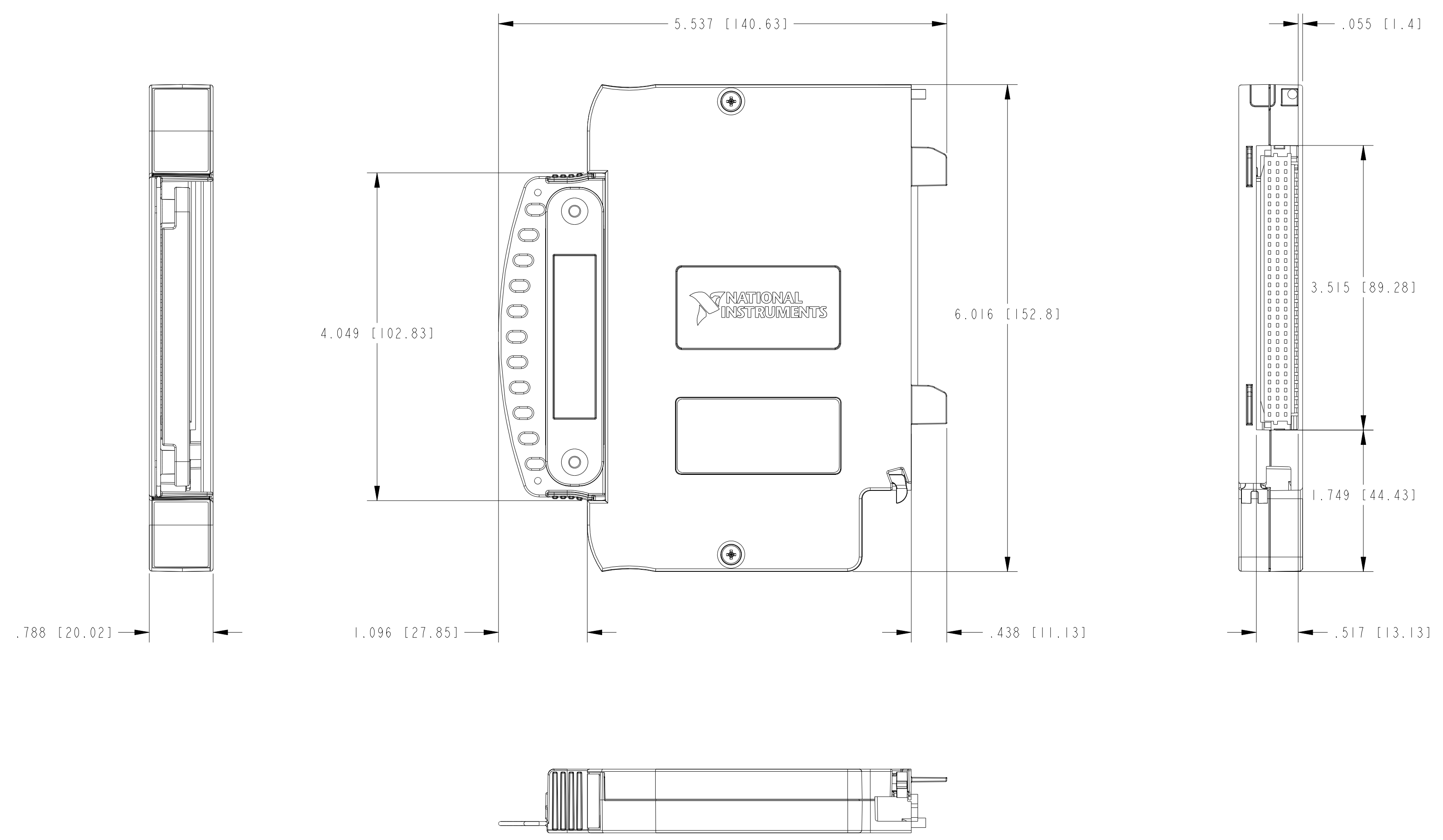
C

B

B

A

A

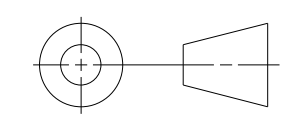


CUSTOMER DRAWING

UNLESS OTHERWISE SPECIFIED
DIMENSIONS ARE IN INCHES AND
[MILLIMETERS].

DO NOT SCALE DRAWING

THIRD ANGLE PROJECTION



		AUSTIN, TEXAS	
TITLE			
PXIE SIGNAL CONDITIONING TERMINAL BLOCK, TB-4300B			
SIZE	CODE	IDENT NO.	MM/DD/YYYY
C	7U296		12/13/10
SCALE:	1/1	SHEET	1 OF 1

4

3

2

1