

Data sheet

OpDAT Industry terminal rail TS35 + SC-D MM adapter insert

Page 1/4

P/N

1402P06113KE

EAN 4250184119128

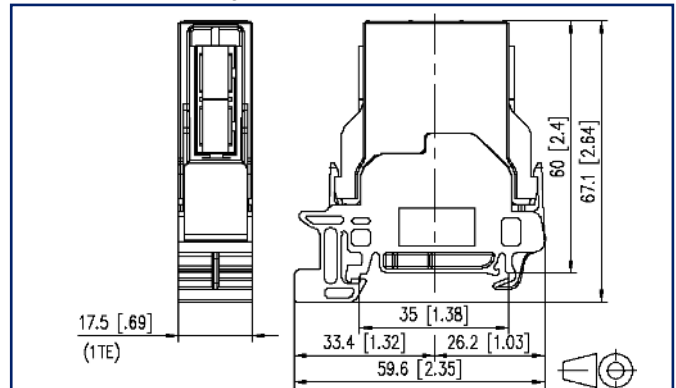
2023/04/17

Version: I

Illustrations



Dimensional drawing



See enlarged drawings at the end of document

Product specification

- termination unit with SC-D adapter on TH35 rail to DIN EN 60715
- slotted zirconium oxide ceramics sleeve (ZrO₂) for single mode applications
- slotted metal sleeve (Ph-Br) for multi mode applications
- width of 1HP allows mounting up to 12 units in a standard electrical distribution panel
- vertical plugging direction, 90° to rail
- variants: SM, MM



OpDAT Industry terminal rail TS35 + SC-D MM adapter insert

P/N

1402P06113KE

EAN 4250184119128

2023/04/17

Version: I

Technical Data

General Data

Fields of application	office areas
Mechanical measurement according to MICE	M1
Ingress measurement according to MICE	I1
Climatic measurement according to MICE	C1
Electromagnetic measurement according to MICE	E3
Design	wall outlet
Mounting style	Standard rail TH35
Transmission technology	Fiber optic
Color	light gray
Dimensions	
Dimension (L x W x H)	67.1 mm x 17.5 mm x 59.6 mm
Dimension (L x W x H)	2.642 in. x 0.689 in. x 2.346 in.
Horizontal pitch	1HP
Mode type of the fiber	Multimode

Connections/interfaces

Connector technology interface 1	SC-D
Connector technology interface 2	SC-D
Number of ports interface 1	1
Number of ports interface 2	1
Number of equipped ports interface 1	1
Number of ports interface 2 equipped	1
Number of ports with dust protection interface 1	1
Number of ports with dust protection interface 2	1
Module plug-in direction	vertical

Mechanical data

Cut-out	SC-D, LC-Q, ST-D
Connector type	duplex
Life - Number of mating cycles	min. 500



Technical Data

Materials and material properties

Material - Housing	GD-Zn (zinc die-cast)
Material - Cover part(s)	PA66
Material - Lower housing	PA66
Material - Sleeve	CuSnP
RoHS	compliant

Environmental conditions

Increased robustness	yes
----------------------	-----

Classifications

ETIM 5.0	EC001121
ETIM 6.0	EC002598
ETIM 7.0	EC001024
ETIM 8.0	EC001024
ETIM 9.0	EC001024

Packing details

Type of packaging	10 pc(s) / box
Packaging unit - Weight (gram)	290 g
Packaging unit - Weight (pound)	0.64 lb
Packaging dimension	250 mm x 105 mm x 89 mm
Packaging dimension	9.843 in. x 4.134 in. x 3.504 in.

Illustrations

Dimensional drawing

