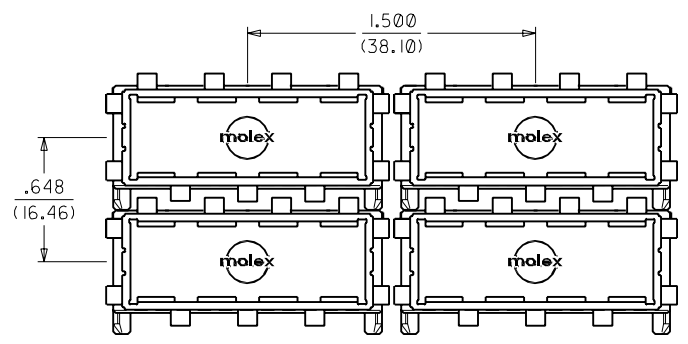
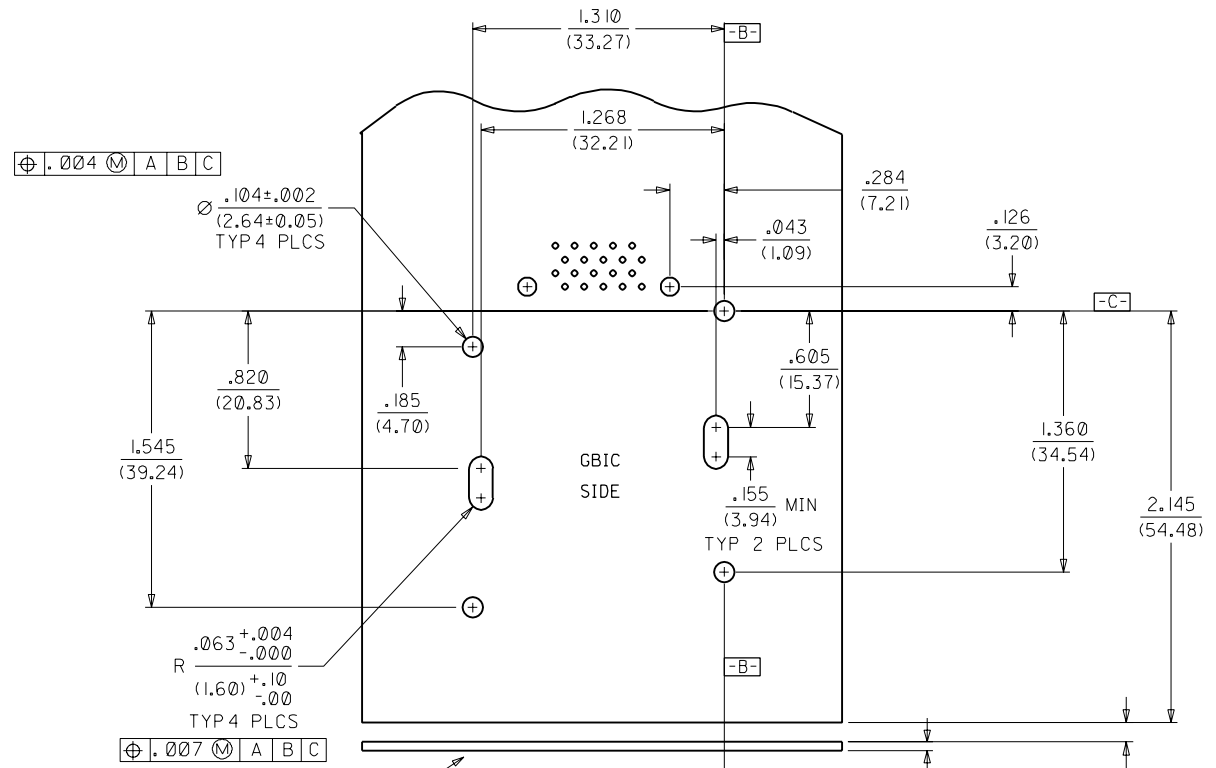


NOTES:
 1. MATERIAL: .004 PHOSPHOR BRONZE ALLOY 510, GRADE A, SPRING TEMPER PREPLATED WITH BRIGHT TIN OVER NICKEL

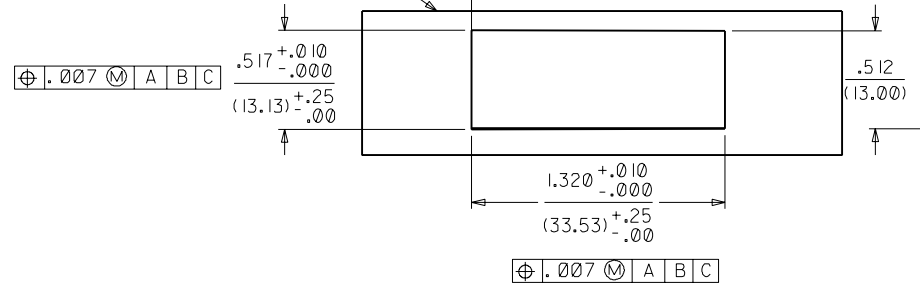
MFG. SH. REV.	A	INITIAL RELEASE PER UDI 2000-1083 00/5/10 DLD	DIMENSIONS SHOWN (METRIC) INCH		REVISE ONLY ON CAD SYSTEM															
			UNLESS OTHERWISE SPECIFIED TOLERANCES: ANGULAR = 1/2°				TITLE													
			<table border="1"> <tr> <th></th> <th>INCH</th> <th>METRIC</th> </tr> <tr> <td>3 PLACE</td> <td>± .010</td> <td>---</td> </tr> <tr> <td>2 PLACE</td> <td>± ---</td> <td>± .25</td> </tr> <tr> <td>1 PLACE</td> <td>---</td> <td>± ---</td> </tr> </table>			INCH	METRIC	3 PLACE	± .010	---	2 PLACE	± ---	± .25	1 PLACE	---	± ---	GASKET GBIC GUIDE FRAME			
	INCH	METRIC																		
3 PLACE	± .010	---																		
2 PLACE	± ---	± .25																		
1 PLACE	---	± ---																		
DRAFT WHERE APPLICABLE MUST REMAIN WITHIN DIMENSIONS			PART NO.		SHEET NO. DATE															
			73868-0001		1 OF 1 00/05/10															
LTR. DRWG. BY DLD CLK'D. BY DLD			FILE NAME		DRWG. NO.															
APP'D. BY MJM SCALE 5: 1			THIS DRAWING CONTAINS INFORMATION THAT IS PROPRIETARY TO MOLEX INC. AND SHOULD NOT BE USED WITHOUT WRITTEN PERMISSION.		DIV. SIZE															
					D B															



MINIMUM STACK PITCH
SIDE TO SIDE AND TOP TO BOTTOM

METAL, CONNECTED
TO CHASSIS (GROUND)

FRONT PANEL



PCB FOOT PRINT

SEE SHEET 1		DIMENSIONS SHOWN (METRIC) INCH		REVISE ONLY ON CAD SYSTEM	
UNLESS OTHERWISE SPECIFIED TOLERANCES ANGULAR ± 1/2°		INCH METRIC		TITLE	
3 PLACE ± .005	---			GBIC GUIDE ASSEMBLY	
2 PLACE ± --- ± .13	---			MOLLEX INCORPORATED U.S.A. SHEET NO. 2 DATE 98/08/28	
1 PLACE --- ± ---	---			PART NO. 1315E.JLL. 69532	
DRAFT WHERE APPLICABLE MUST REMAIN WITHIN DIMENSIONS		DRAWG. NO.		SDA-73847-001	
DRWG. BY RKN	CHK'D BY DLD	FILE NAME		DIV. SIZE	
APP'D BY MJM	SCALE 2 : 1	S73847X2		D C	
MFC. SH. REV.		THIS DRAWING CONTAINS INFORMATION THAT IS PROPRIETARY TO MOLEX INC. AND SHOULD NOT BE USED WITHOUT WRITTEN PERMISSION		NO P.S.	