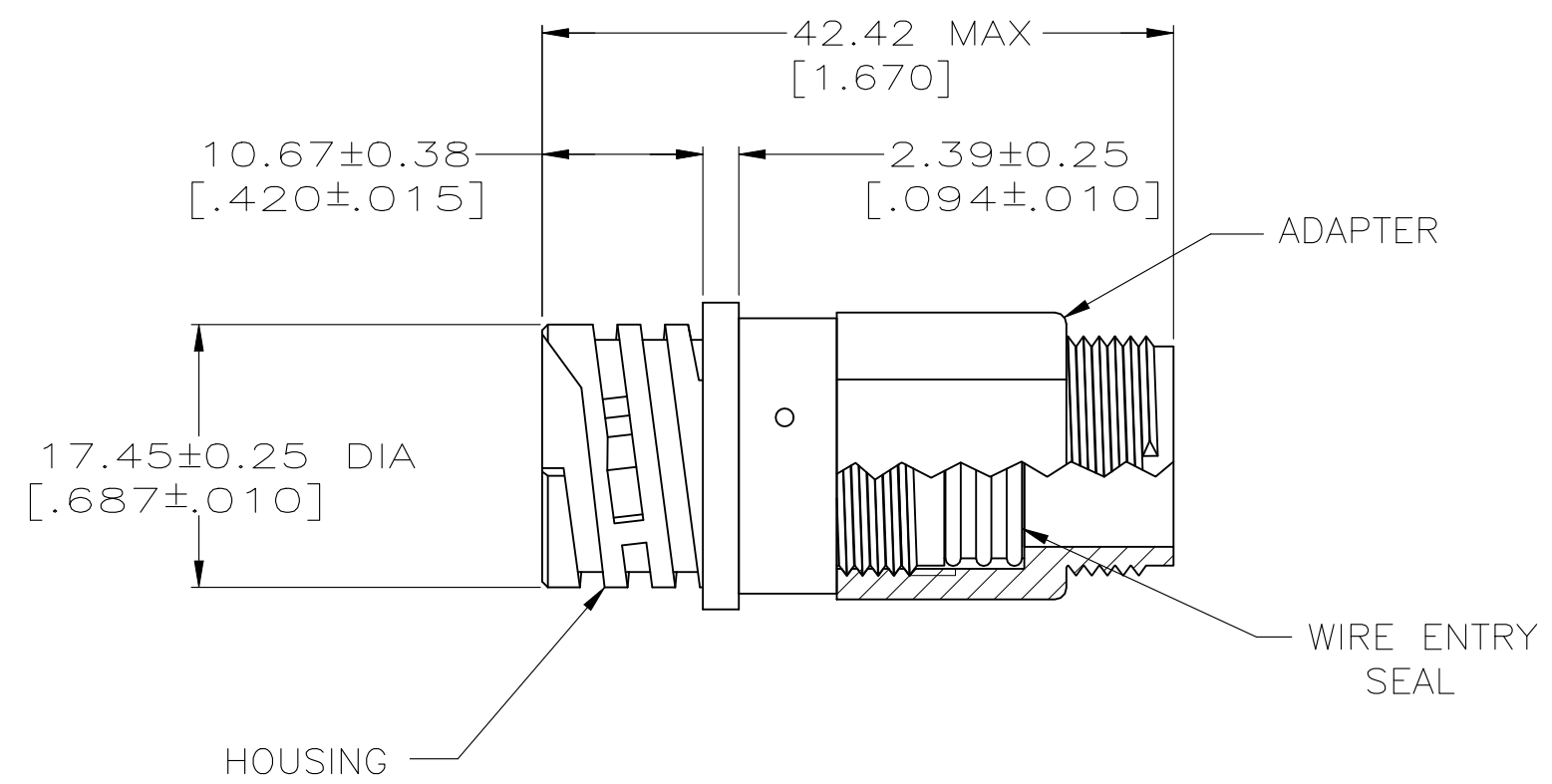
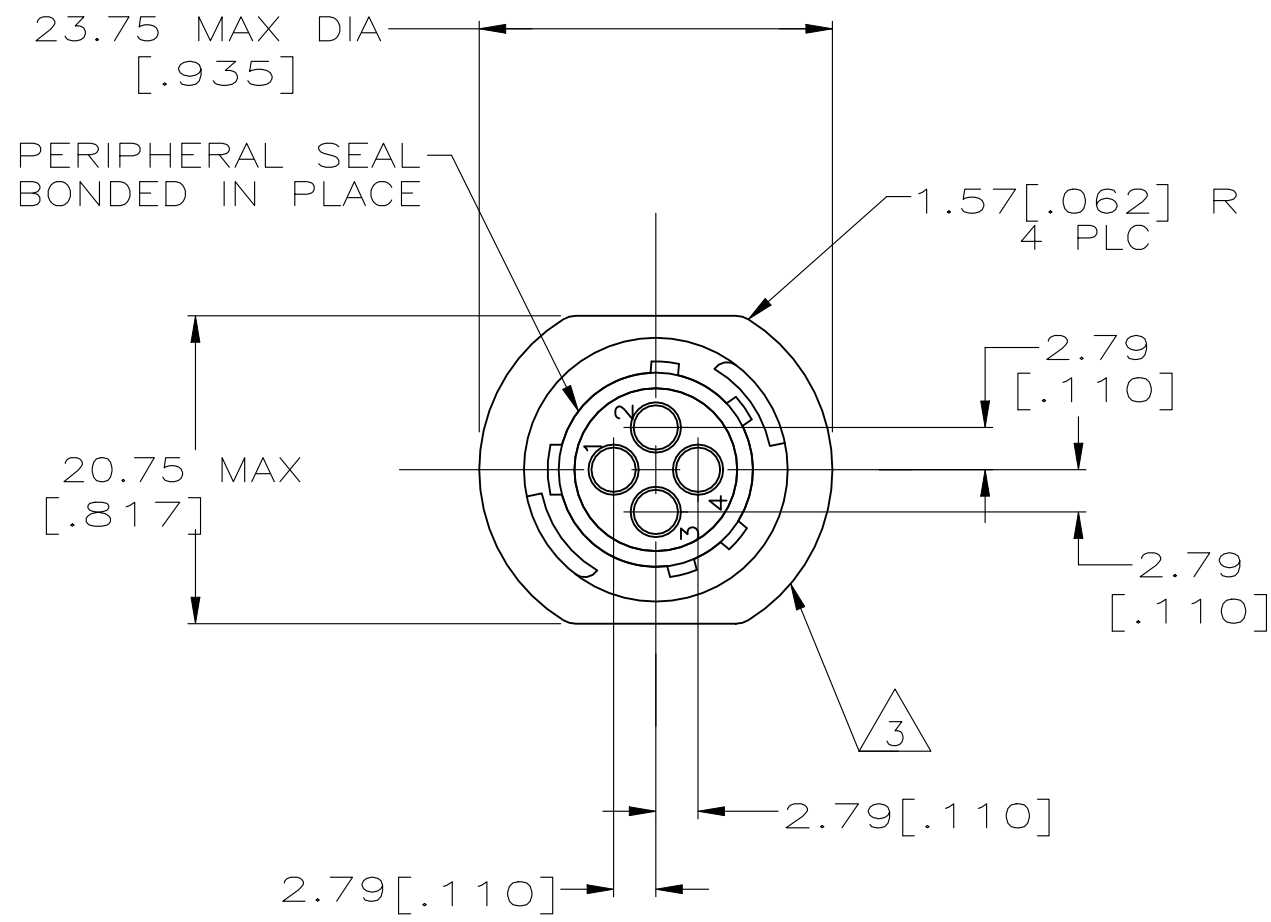


REVISIONS				
P	LTR	DESCRIPTION	DATE	APVD
	B	REVISED PER ECO-21-006945	28OCT2021	RK MZ



788155-2

PART NUMBER

- ① HOUSING & ADAPTER: NYLON 6/6, BLACK.
WIRE ENTRY SEAL: ELASTOMER, RED.
- 2. THIS CONNECTOR WILL ACCEPT
FOUR (4) MULTIMATE SOCKET CONTACTS.
- ③ TE LOGO AND PART NUMBER LOCATED ON
ANY FLANGE EDGE

THIS DRAWING IS A CONTROLLED DOCUMENT.		DWN P.BENNINGHOVE 01 OCT 97	STE TE Connectivity	
DIMENSIONS: MM [INCHES]		CHK K.DOWHOWER 28 OCT 99		
TOLERANCES UNLESS OTHERWISE SPECIFIED:		APVD K.DOWHOWER 28 OCT 99	NAME RECEPTACLE ASSEMBLY, 11-4, REVERSE SEX, SERIES I, SEALED, CPC	
0 PLC ± -		PRODUCT SPEC 108-1579	SIZE	CAGE CODE
1 PLC ± -		APPLICATION SPEC 114-10038	A3	00779
2 PLC ± 0.13 [.005]		WEIGHT -	DRAWING NO C-788155	
3 PLC ± -		CUSTOMER DRAWING	SCALE	SHEET
4 PLC ± -			2:1	1 OF 1
ANGLES ± -		RESTRICTED TO		REV
FINISH -		-		B