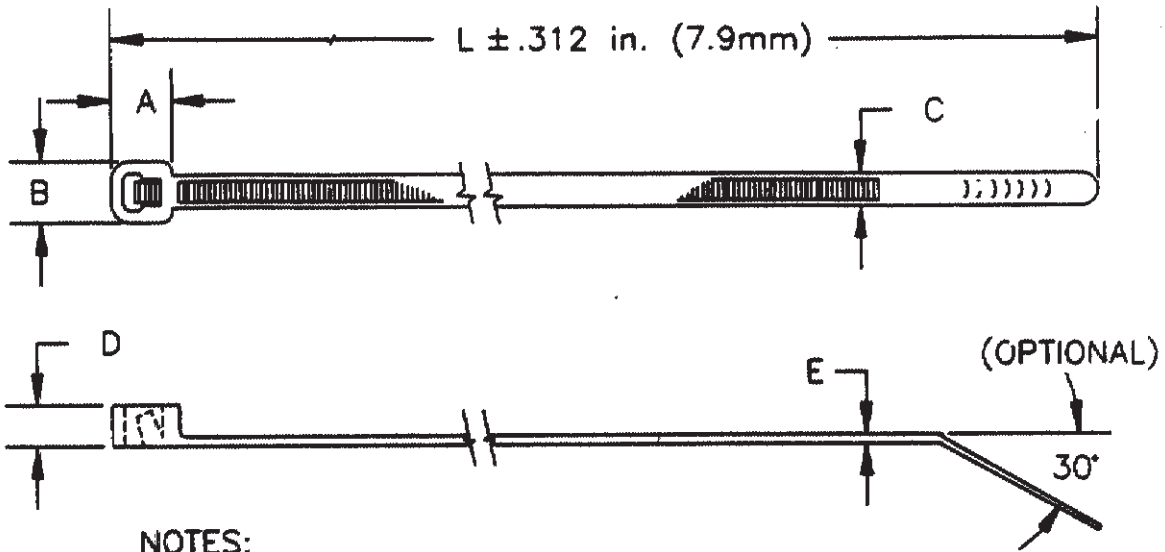


DRAWING MADE IN THIRD ANGLE PROJECTION

DWG NO. 603222

UNIT OF MEASURE	A	B	C	D	E	L	MAX. BUNDLE DIA.	MIN. TENSILE STRENGTH
INCHES	.389	.502	.298	.326	.075	29.78	8.75	120 lbs.
MM	9.88	12.75	7.57	8.28	1.91	756.	222.	54.43 kg.

THIS INFORMATION IS CONFIDENTIAL AND IS DISCLOSED TO YOU ON CONDITION THAT NO FURTHER DISCLOSURE IS MADE BY YOU TO OTHER THAN AMP PERSONNEL WITHOUT WRITTEN AUTHORIZATION FROM AMP INCORPORATED, HARRISBURG, PA.



NOTES:

1. MOISTURIZED 1 TO 2.5% WATER.
2. PACKAGED IN HEAT SEALED 3 MIL POLYBAG WITH LABEL PER DWG 404707.
3. MIL No. MS3367-6.

AFC ENGINEERING

JUL 13 1997

ISSUED BY *acc*

CUSTOMER DRAWING  
UNPUBLISHED

LOC		4-603222-9	NATURAL 50 TY9HS	
D		4-603222-0	BLACK 50 TY9HSB	
DWG SIZE		PART No.	DESCRIPTION	ITEM NO
QTY.	REQ'D. PER ASSY.	REVISION OF EACH ASSY NO. (WHEN BLANK, USE DWG REVISION)		
1		PARTS LIST		
		MATERIAL	HEAT TREAT	FINISH
		NYLON 6/6		
		DIMENSIONS ARE IN INCHES	DRAWN BY:	DATE:
		TOLERANCES UNLESS OTHERWISE SPECIFIED:	AD-TEK/VL	6/25/90
		2 PL DEC ±	CHECK BY:	RELEASE:
		3 PL DEC ± .039	BTM 6/90	J. Harner 6/90
		4 PL DEC ±	<b>AMP</b>   AMP INCORPORATED Harrisburg, Pa.	
		ANGLES ±	NAME: HEAVY DUTY	
		SURF TEXTURE: J	CABLE TIE 29--3/4 INCH	
		REMOVE BURRS. BREAK SHARP EDGES. .015 R. MAX.	SCALE:	DRAWING No.:
			A	603222
				SHEET: 1 OF 1
				REV.: B
P	F	LTR	REVISION RECORD	APP DATE
			B ECN 062890	7/11- 6/90