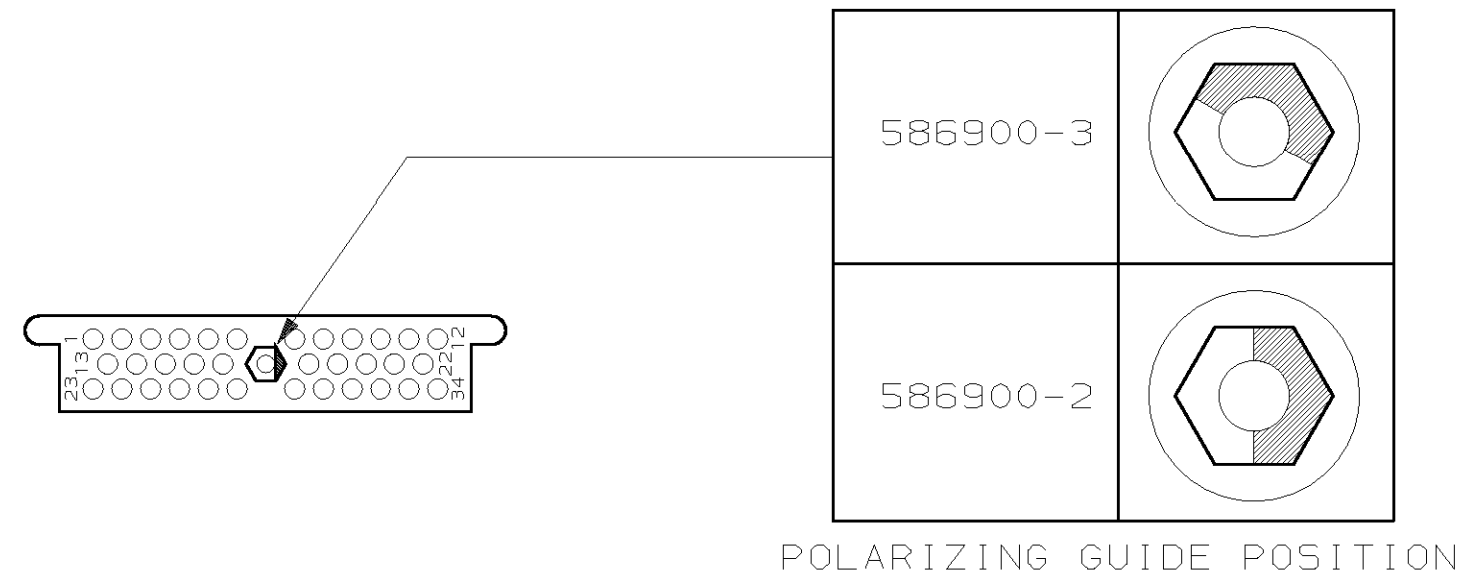
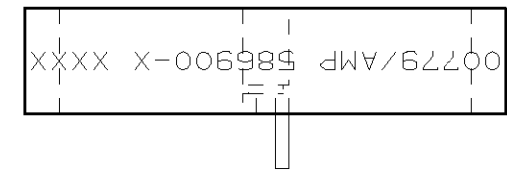
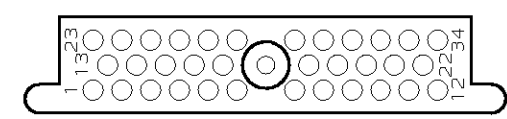
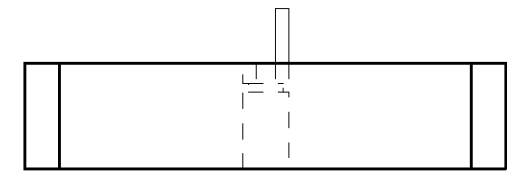


THIS DRAWING IS UNPUBLISHED. RELEASED FOR PUBLICATION .19
 (C) COPYRIGHT 19 BY AMP INCORPORATED. ALL RIGHTS RESERVED.

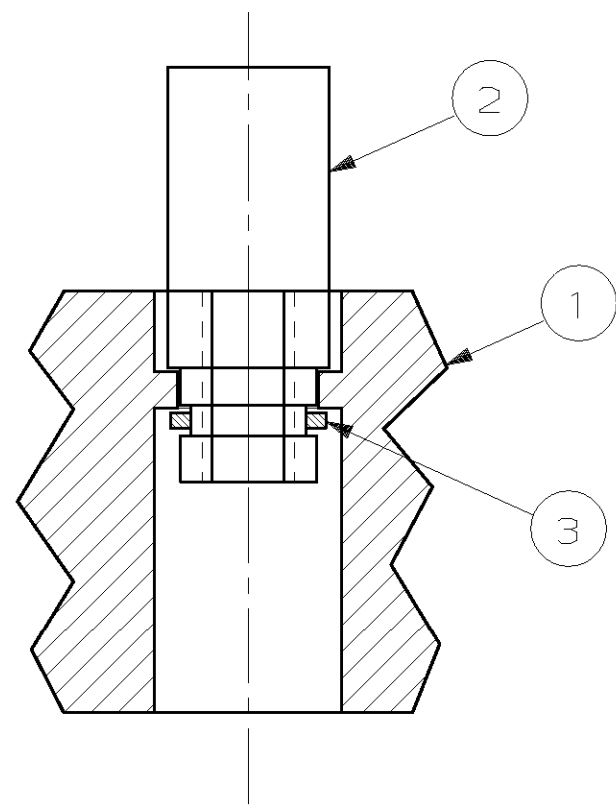
LOC	DIST	REVISIONS			
P	LTR	DESCRIPTION	DATE	DWN	APVD
DF	FO	0	RELEASED	6-01	CT DN



POLARIZING GUIDE POSITION

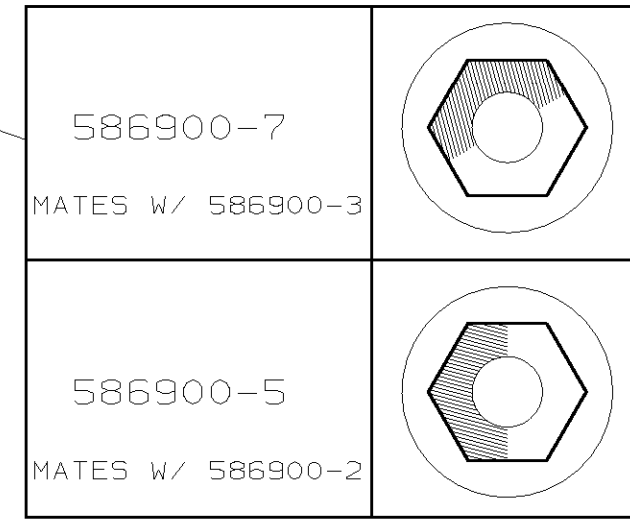
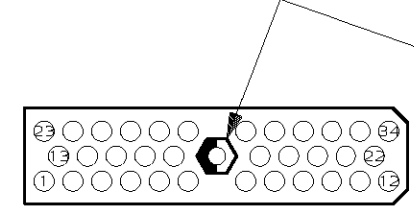


AMP PART NO
586900-2 & 586900-3

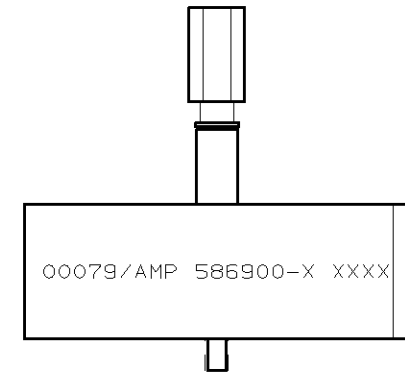
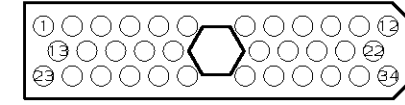
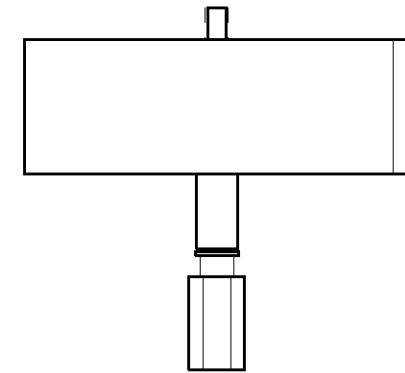


EXPLODED VIEW

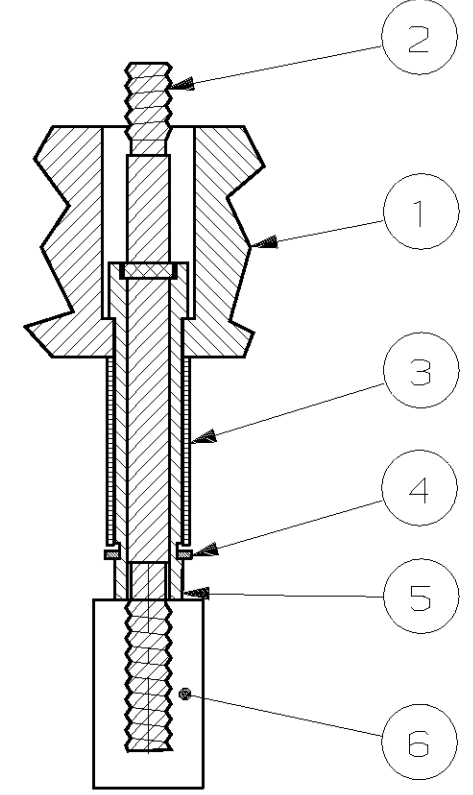
DESCRIPTION	ITEM NO
POLARIZING GUIDE	3
RETAINER RING	2
PIN INSULATOR	1



POLARIZING GUIDE POSITION



AMP PART NO
586900-5 & 586900-7



EXPLODED VIEW

JACKSCREW HEAD	6
POLARIZING GUIDE	5
RETAINER RING	4
SPACER	3
JACKSCREW POST	2
INSERT	1
DESCRIPTION	ITEM NO

THIS DRAWING IS A CONTROLLED DOCUMENT.

DWN C.C. THOMAS 6-28-01	TYCO Electronics Corporation Harrisburg, PA 17105-3608		
CHK D. NALLY 6-28-01			
APVD D. NALLY 6-28-01			
NAME			
DIMENSIONS: INCHES	TOLERANCES UNLESS OTHERWISE SPECIFIED:	PRODUCT SPEC	RECTANGULAR CONNECTOR ASSY
0 PLC ±-	1 PLC ±-	2 PLC ±-	3 PLC ±-
4 PLC ±-	ANGLES ±-	FINISH	SCALE NTS
MATERIAL	FINISH	WEIGHT	SHEET 1 OF 1
CUSTOMER DRAWING		SIZE CAGE CODE DRAWING NO	RESTRICTED TO
		A2 00779 C-586900	REV 0