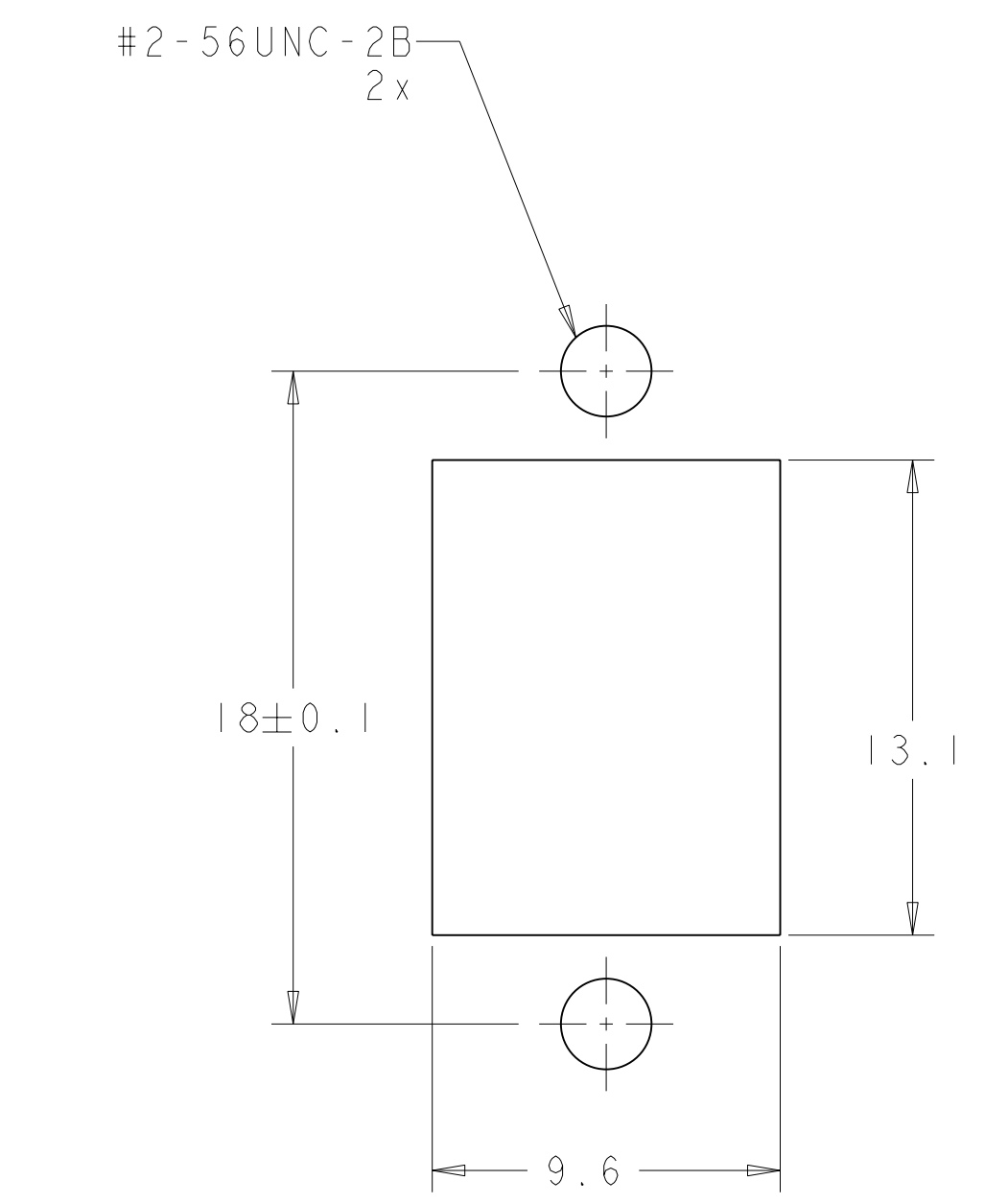
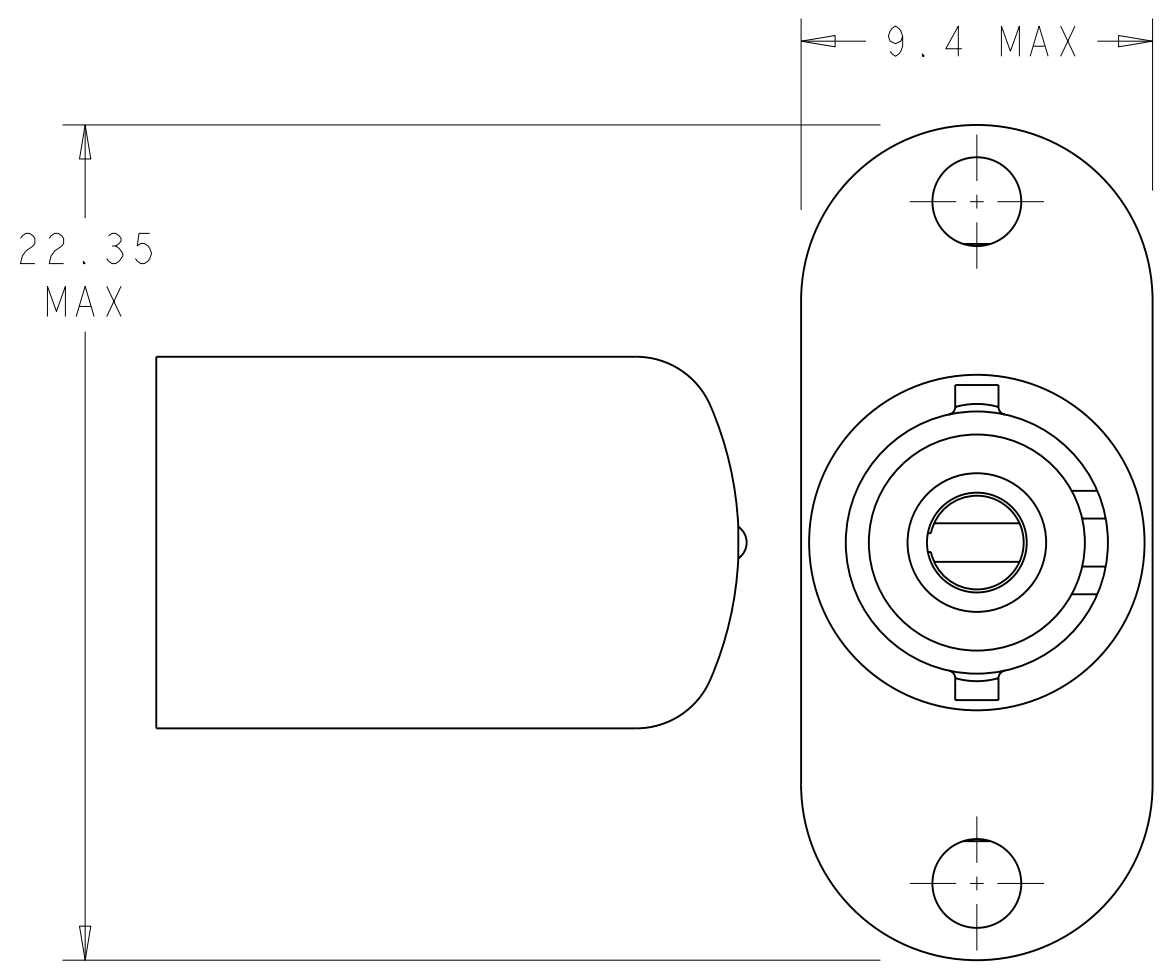
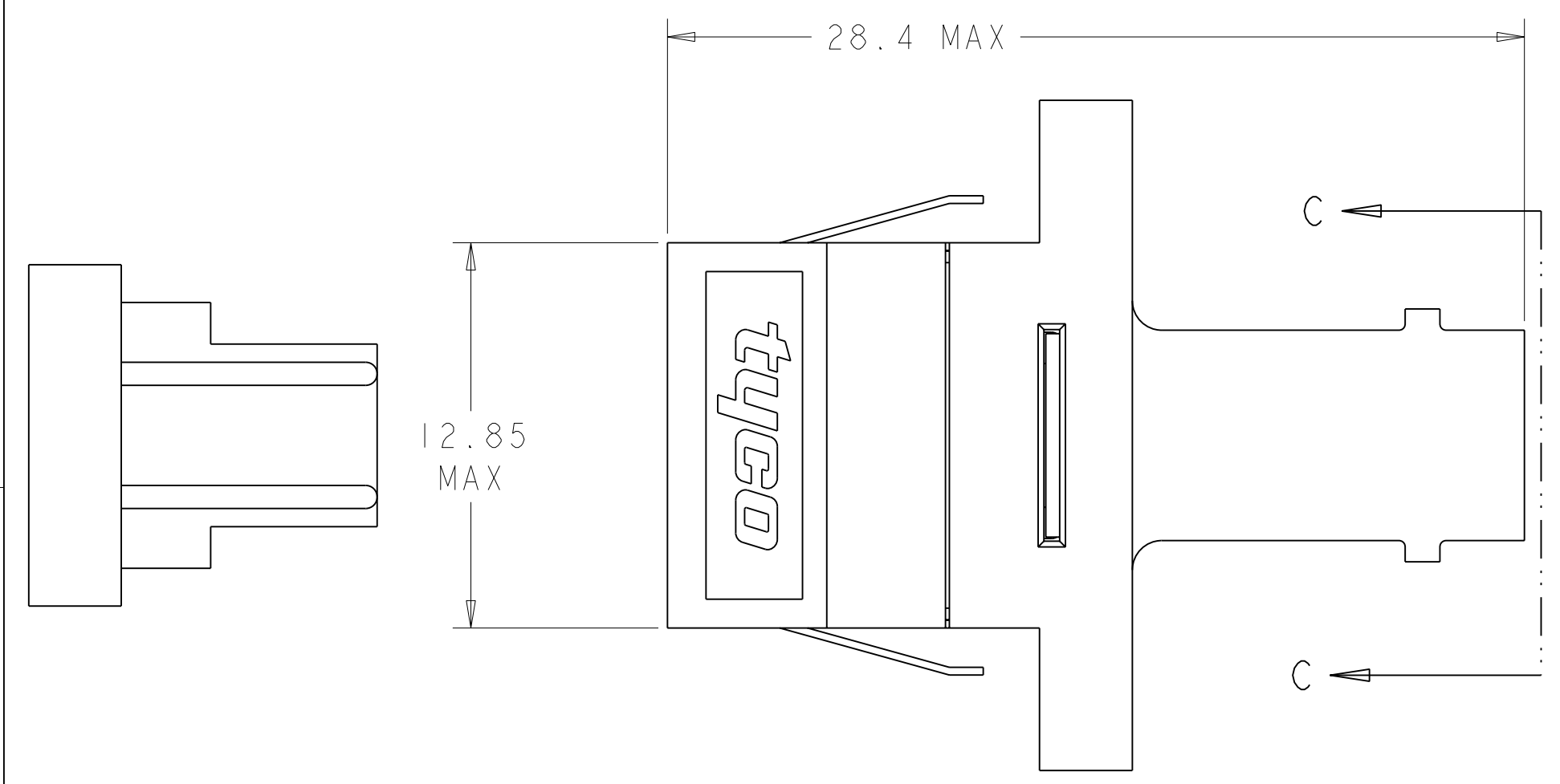


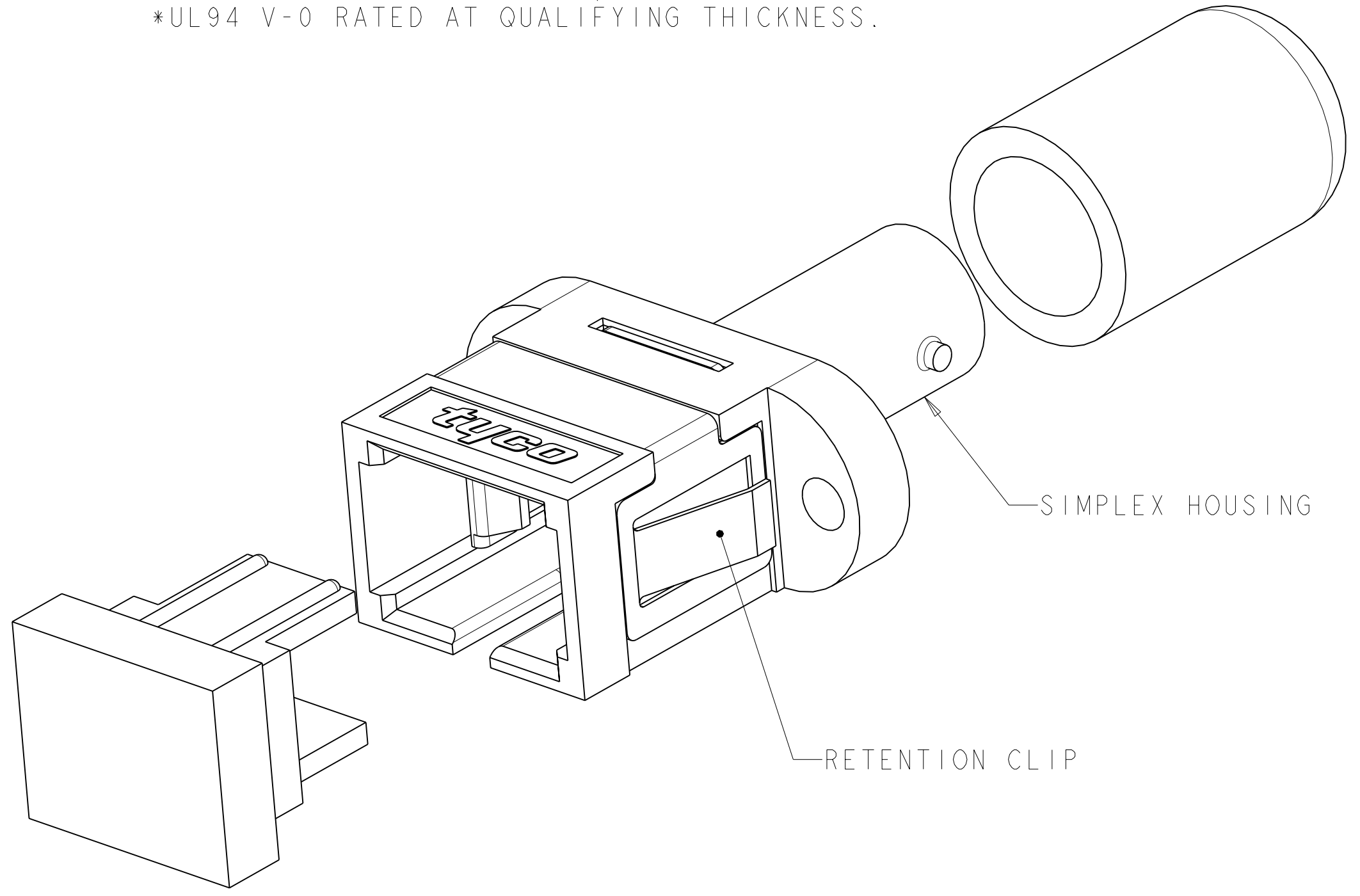
THIS DRAWING IS UNPUBLISHED.  
 RELEASED FOR PUBLICATION  
 20  
 © COPYRIGHT 20 BY TYCO ELECTRONICS CORPORATION. ALL RIGHTS RESERVED.

REVISIONS				DATE	DWN	APVD
P	LTR	DESCRIPTION				
A		REVISE PER ECR-06-000779	12JAN2006	BB	SB	



SUGGESTED PANEL CUTOUT  
 MAX PANEL THICKNESS 1.7

⚠ MATERIAL:  
 HOUSING: PBT-GF30, SEE DASH NUMBERS FOR COLOR.\*  
 RETAINER: PEI-GF30, COLOR: BLACK.\*  
 RETENTION CLIP: STAINLESS STEEL.  
 ALIGNMENT SLEEVE: SEE DASH NUMBERS.  
 PROTECTIVE CAP: VINYL.  
 PROTECTIVE COVER: TPE, COLOR: BLACK.\*  
 \*UL94 V-0 RATED AT QUALIFYING THICKNESS.



RETENTION CLIP	CERAMIC	BEIGE	5502780-6
RETENTION CLIP	CERAMIC	BLUE	5502780-5
RETENTION CLIP	CERAMIC	BLACK	5502780-4
RETENTION CLIP	METAL	BEIGE	5502780-3
RETENTION CLIP	METAL	BLUE	5502780-2
RETENTION CLIP	METAL	BLACK	5502780-1
INCLUDED HARDWARE	ALIGNMENT SLEEVE	COLOR	PART NUMBER

<small>THIS DRAWING IS A CONTROLLED DOCUMENT FOR TYCO ELECTRONICS CORPORATION          IT IS SUBJECT TO CHANGE AND THE CONTROLLING ENGINEERING ORGANIZATION          SHOULD BE CONTACTED FOR THE LATEST REVISION.</small>		DWN B. BRIGGS 3MAY2005 CHK S. MILLER 13MAY2005 APVD S. BUCHTER 3MAY2005	<b>tyco</b> Tyco Electronics Harrisburg, PA 17105-3608
DIMENSIONS: mm	TOLERANCES UNLESS OTHERWISE SPECIFIED: 0 PLC ± 1 PLC ±0.1 2 PLC ±0.05 3 PLC ± 4 PLC ± ANGLES ± FINISH	NAME RECEPTACLE ASSEMBLY, AMP SC TO BAYONET	SIZE CAGE CODE DRAWING NO RESTRICTED TO A200779 C=5502780
MATERIAL		WEIGHT	SCALE 5:1 SHEET 1 OF 1 REV A
CUSTOMER DRAWING			