

2.83 ±0.25
(POWER TAILS)

14.4

1.58 MIN
(PCB THICKNESS)

ALLOW EXTRA SPACE
4.00 MM PER SIDE
(REQUIRED FOR RE-WORK PER AS-46436-100)

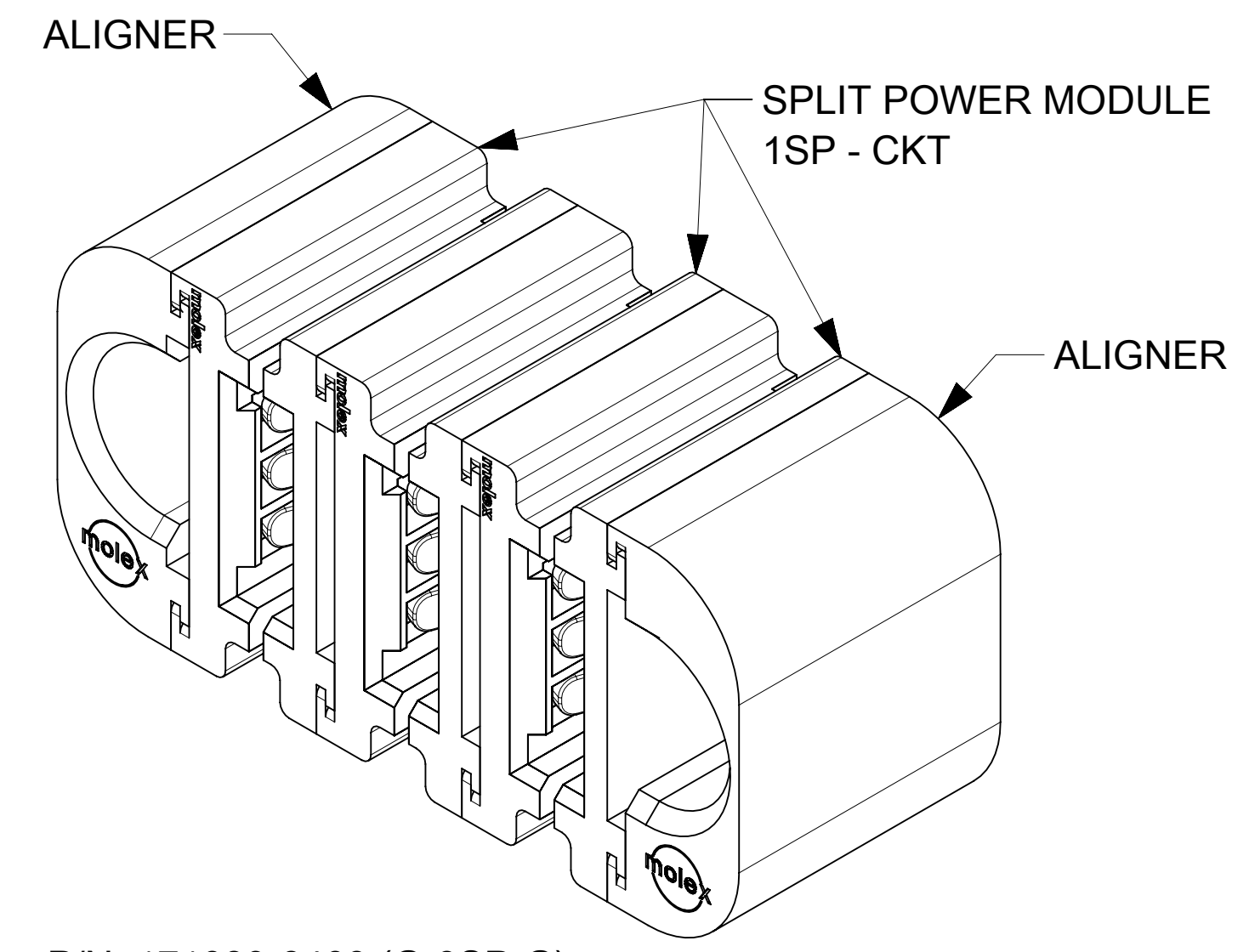
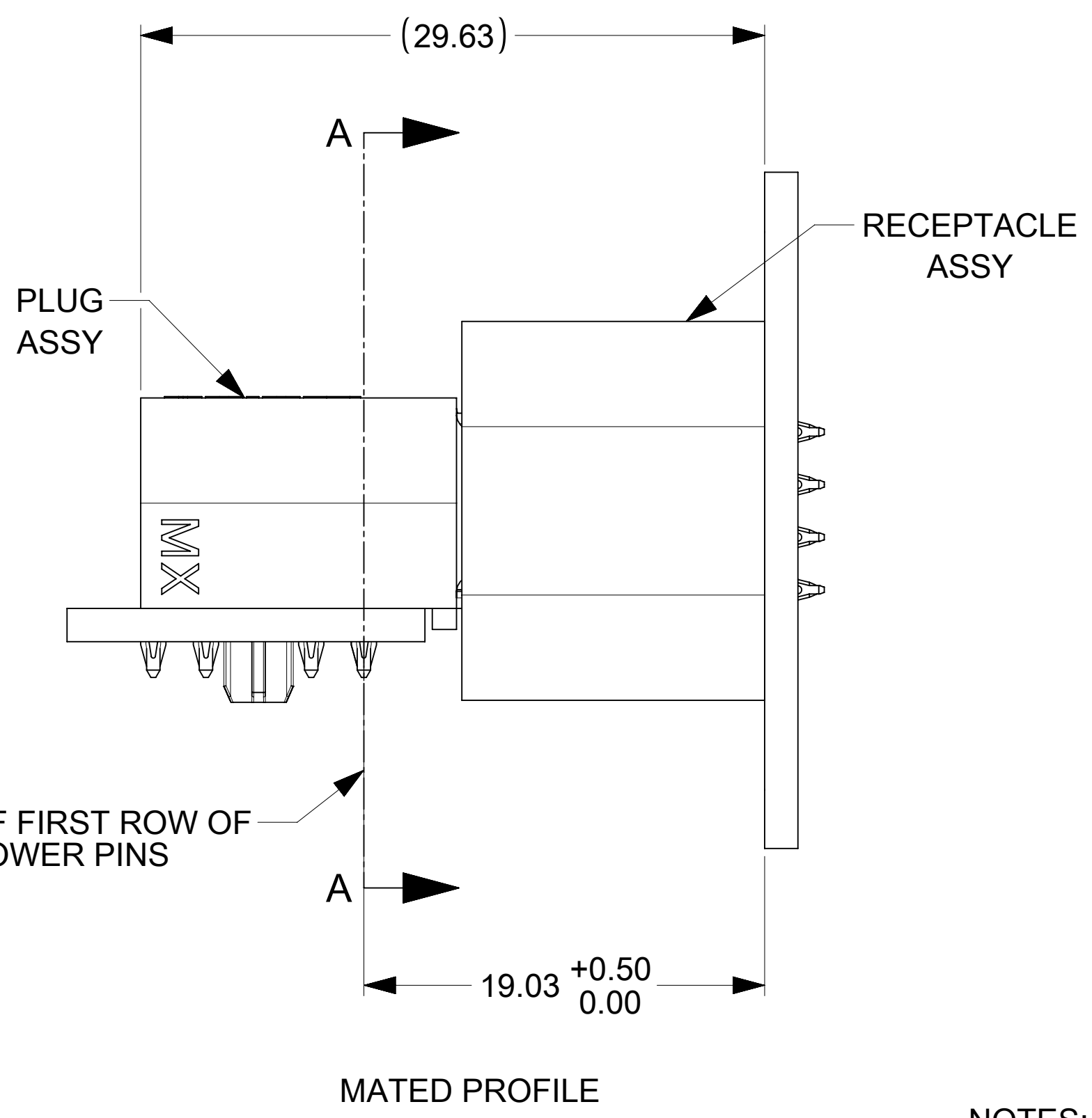
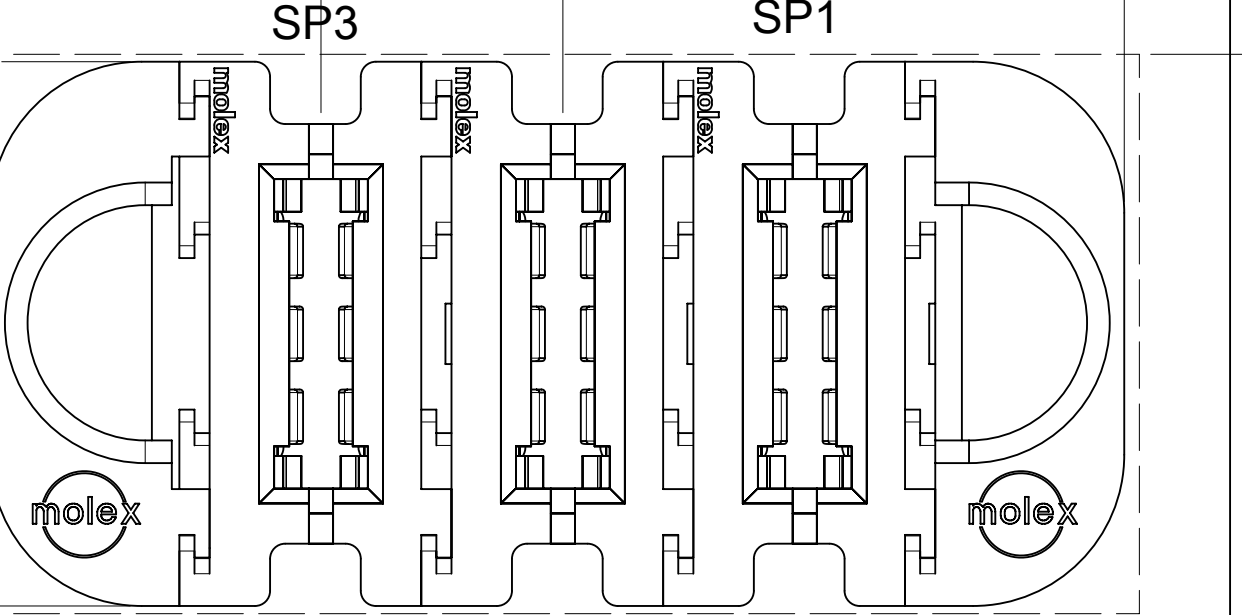
"A" ±0.75

8.00 TYP

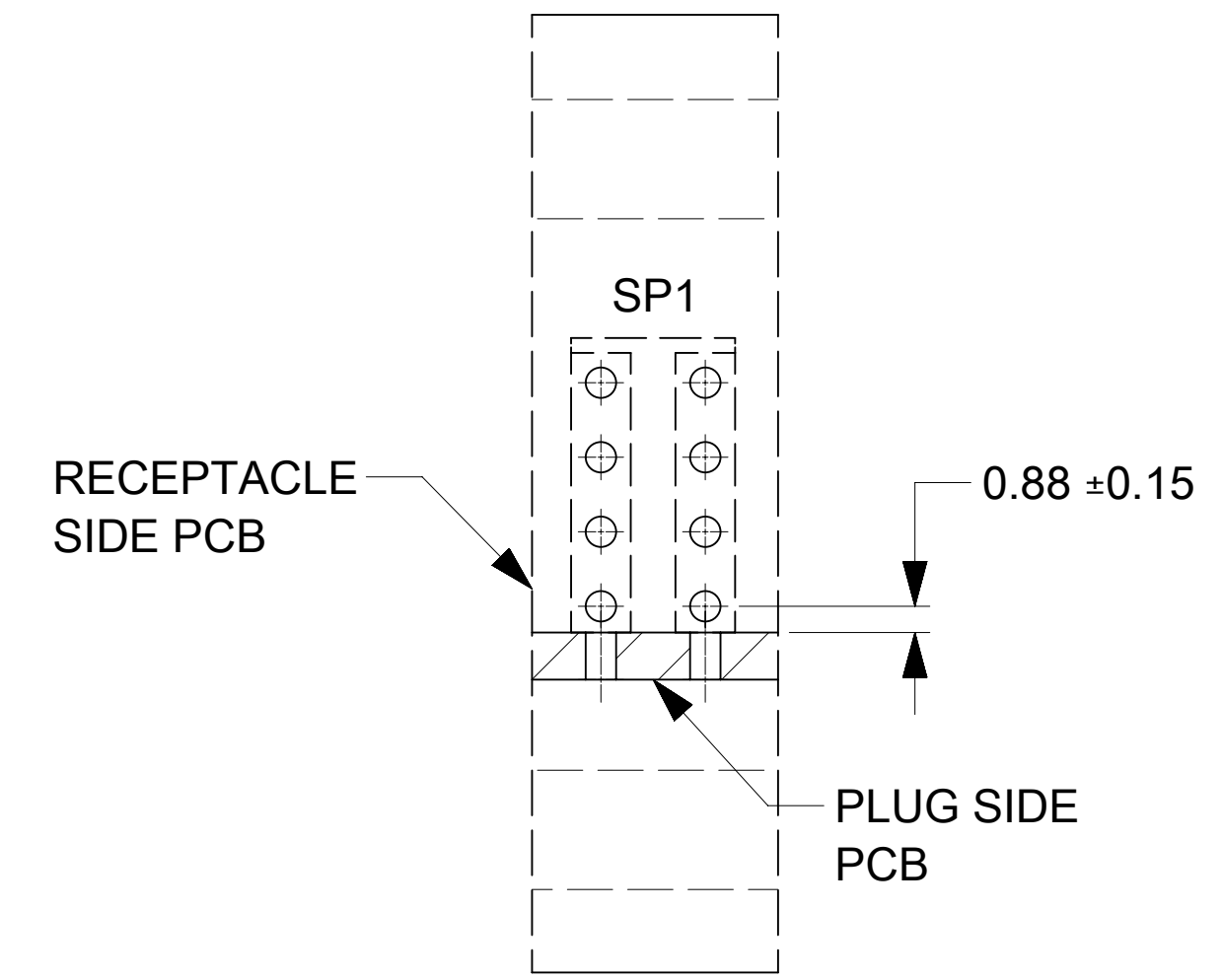
18.0

SP3

SP1



P/N: 171089-8403 (G-3SP-G)



"B" MIN
(KEEP-OUT ZONE)

9.32

2.50

B

5.50

18.50 MIN
(KEEP-OUT ZONE)

SP3

SP1

⊕ ∅ 0.10 A B
∅ 1.02 ±0.05 ("H1")
(SEE NOTE 3)

8.00

A

3.50

RECOMMENDED PCB LAYOUT AND KEEP-OUT ZONE FOR G-(1SP TO 3SP)-G

- NOTES:
- MATERIAL:
 - HOUSINGS: LCP UL94, V-0, COLOR : BLACK
 - TERMINALS: HIGH CONDUCTIVITY COPPER ALLOY
 - PLATING: 1.27 MICROMETER (50 MICROINCH) NICKEL OVERALL WITH 2.54 MICROMETER (100 MICROINCH) SELECTIVE TIN ON TAILS AND 0.762 MICROMETER (30 MICROINCH) SELECTIVE GOLD ON CONTACT AREA
 - PACKAGING: ASSEMBLIES TO BE TRAY PACKED PER PACKAGING SPEC: 1710891001-PK
 - PLATED THRU HOLE SIZE, REFER TO PS-171088-0000 FOR DETAILS
 - PRODUCT SPEC: PS-171088-0000
 - PRODUCT TO MEET RoHS REQUIREMENTS
 - ASSEMBLY MATES TO MOLEX PLUG ASSEMBLY P/N 171088-**** (SEE TABLE IN SHEET 2).
 - TAIL DESIGN: COMPLIANT PINS
 - POWER CONTACTS ARE LUBRICATED.
 - APPLICATION SPEC: AS-46436-100.
 - MOLEX LOGO TO BE LOCATED APPROXIMATELY AS SHOWN.

THIS DRAWING CONTAINS INFORMATION THAT IS PROPRIETARY TO MOLEX ELECTRONIC TECHNOLOGIES, LLC AND SHOULD NOT BE USED WITHOUT WRITTEN PERMISSION									
DIMENSION UNITS	SCALE	CURRENT REV DESC: REMOVED P/N 8404 TO 8410							
mm	4:1								
GENERAL TOLERANCES (UNLESS SPECIFIED)									
ANGULAR TOL	± 0.5°								
4 PLACES	±	EC NO: 707711							
3 PLACES	±	DRWN: KSUTAR	2022/05/19						
2 PLACES	± 0.13	CHK'D: GJEEVANSURES	2022/05/23						
1 PLACE	± 0.25	APPR: HTHYAGARAJ	2022/06/08						
0 PLACES	±	INITIAL REVISION:							
DRAFT WHERE APPLICABLE MUST REMAIN WITHIN DIMENSIONS		DRWN: KSUTAR	2021/09/28						
THIRD ANGLE PROJECTION		APPR: HTHYAGARAJ	2021/11/08						
DRAWING		SERIES		MATERIAL NUMBER		CUSTOMER		SHEET NUMBER	
D-SIZE		171089		SEE TABLE		GENERAL MARKET		1 OF 2	

molex

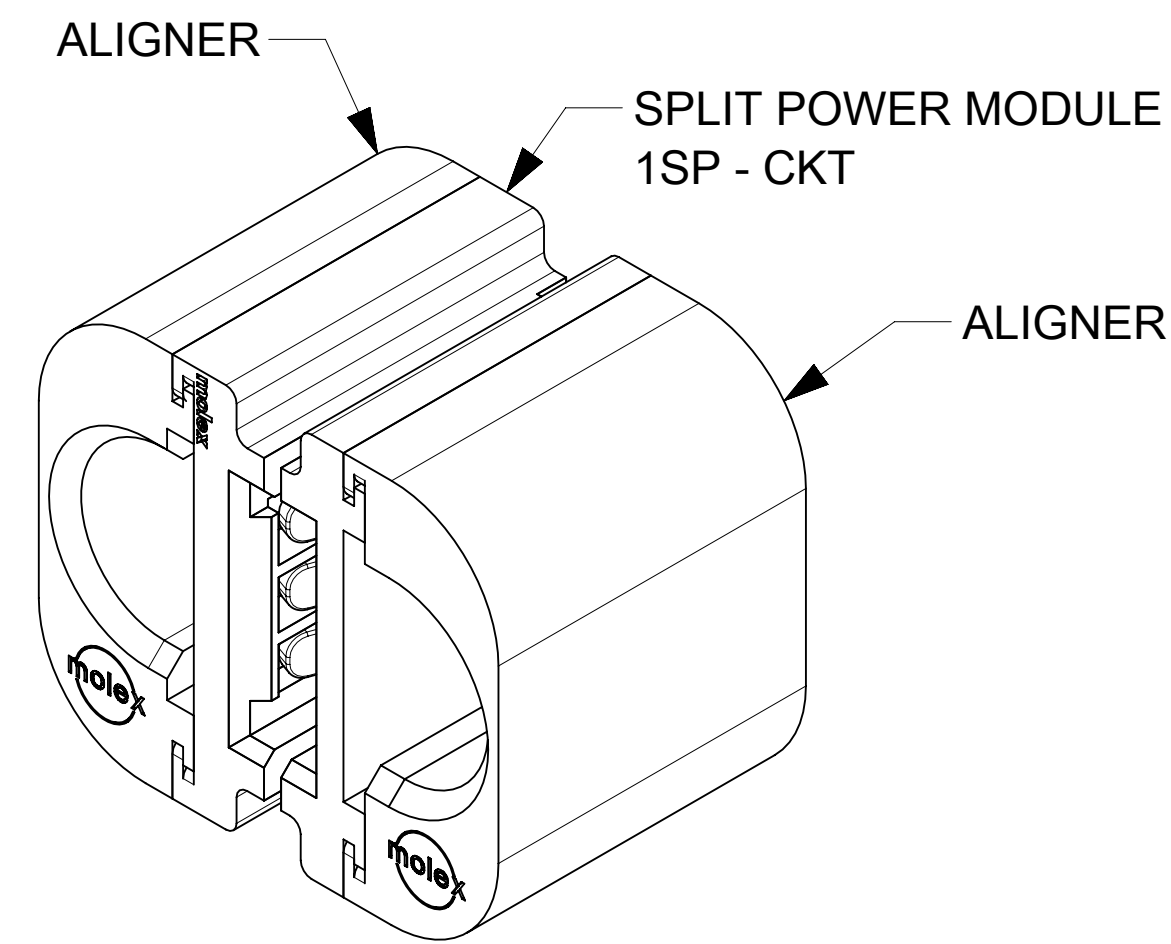
G-SP-G
VERT RECEPTACLE ASSY - TEN60 SPLIT POWER

PRODUCT CUSTOMER DRAWING

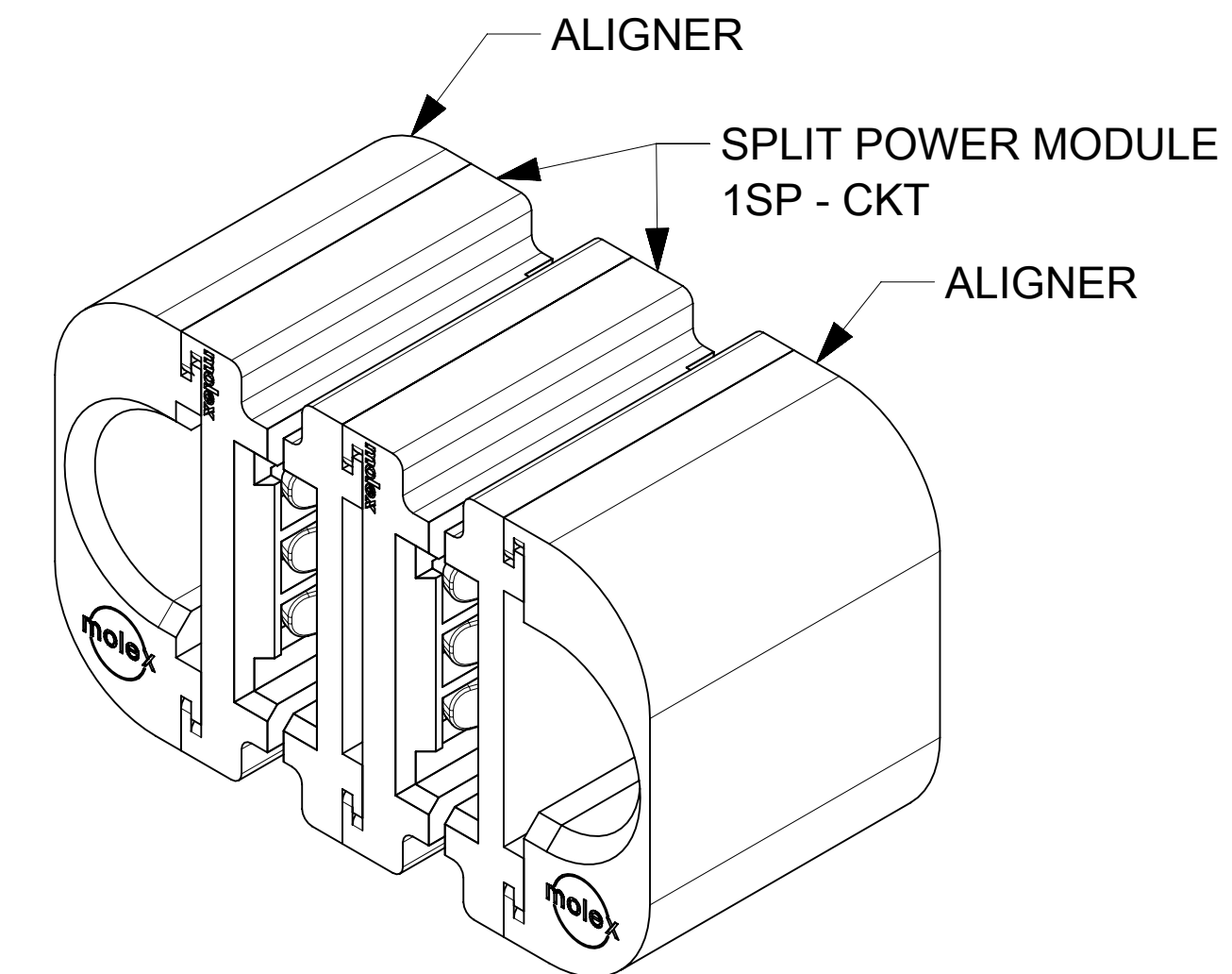
DOCUMENT NUMBER: 1710898410, DOC TYPE: PSD, DOC PART: 000, REVISION: A2

REFER TO BELOW TABLE FOR DIMENSIONS.

FG P/N	CONFIGURATION	POWER CKT SIZE	DIM "A" (IN MM)	DIM "B" (IN MM)	HOLES COUNT "H1"	MATES WITH R/A PLUG ASSY P/N
1710898401	G-1SP-G	1	21.50	22.50	08	1710888401
1710898402	G-2SP-G	2	29.50	30.50	16	1710888402
1710898403	G-3SP-G	3	37.50	38.50	24	1710888403



P/N: 171089-8401 (G-1SP-G)



P/N: 171089-8402 (G-2SP-G)

THIS DRAWING CONTAINS INFORMATION THAT IS PROPRIETARY TO MOLEX ELECTRONIC TECHNOLOGIES, LLC AND SHOULD NOT BE USED WITHOUT WRITTEN PERMISSION																			
DIMENSION UNITS		SCALE		CURRENT REV DESC: REMOVED P/N 8404 TO 8410															
mm		4:1		<div style="text-align: center;"> <p>G-*SP-G VERT RECEPTACLE ASSY - TEN60 SPLIT POWER</p> <p>PRODUCT CUSTOMER DRAWING</p> </div>															
GENERAL TOLERANCES (UNLESS SPECIFIED)																			
ANGULAR TOL ± 0.5°																			
4 PLACES ±		EC NO: 707711																	
3 PLACES ±		DRWN: KSUTAR 2022/05/19																	
2 PLACES ± 0.13		CHK'D: GJEEVANSURES 2022/05/23																	
1 PLACE ± 0.25		APPR: HTHYAGARAJ 2022/06/08																	
0 PLACES ±		INITIAL REVISION:		<table border="1" style="width: 100%;"> <tr> <td>DOCUMENT NUMBER</td> <td>DOC TYPE</td> <td>DOC PART</td> <td>REVISION</td> </tr> <tr> <td>1710898410</td> <td>PSD</td> <td>000</td> <td>A2</td> </tr> </table>								DOCUMENT NUMBER	DOC TYPE	DOC PART	REVISION	1710898410	PSD	000	A2
DOCUMENT NUMBER	DOC TYPE	DOC PART	REVISION																
1710898410	PSD	000	A2																
DRAFT WHERE APPLICABLE MUST REMAIN WITHIN DIMENSIONS		THIRD ANGLE PROJECTION		DRAWING		SERIES		MATERIAL NUMBER		CUSTOMER									
				D-SIZE		171089		SEE TABLE		GENERAL MARKET									
										SHEET NUMBER									
										2 OF 2									