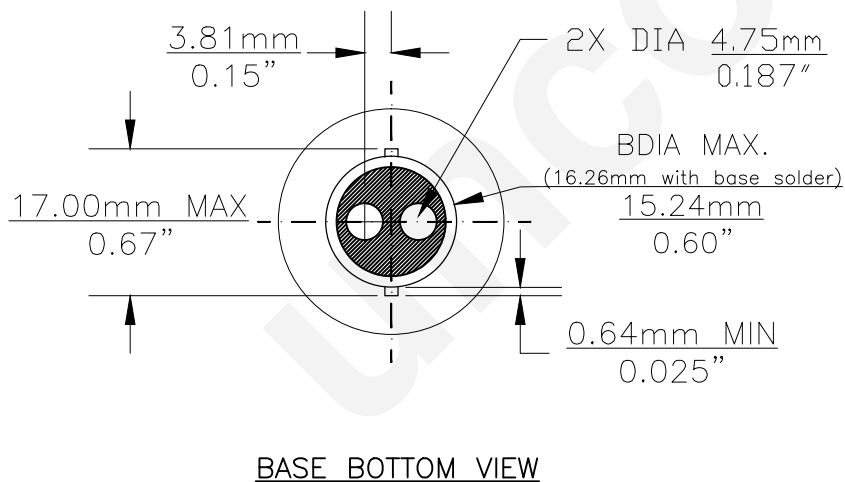
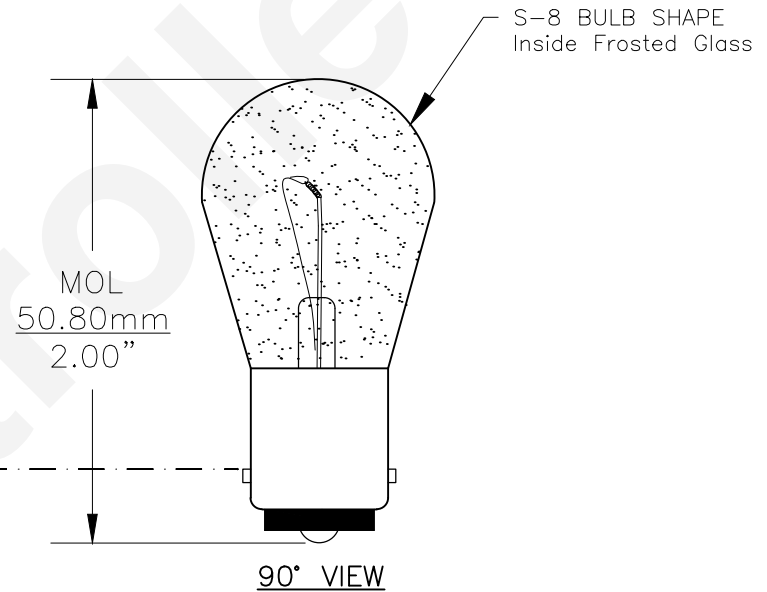
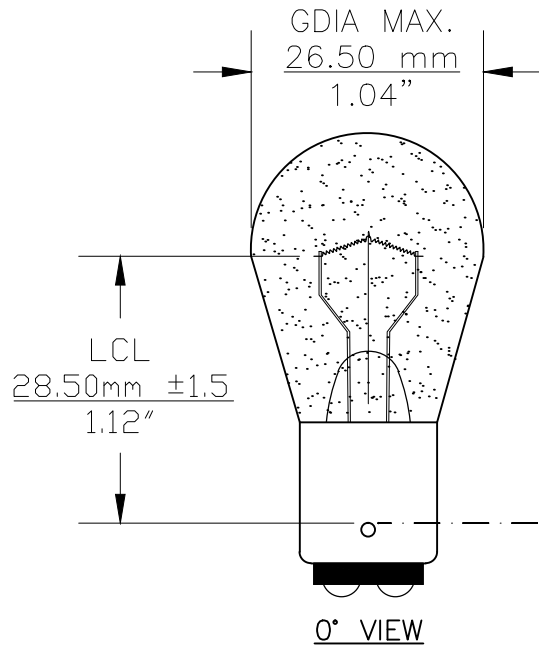




| PART NO. | BASE TYPE | DESIGN VOLTS | DESIGN AMPS | MSCD | FILAMENT TYPE | AVERAGE LIFE HOURS | REVISIONS | | | |
|----------|----------------------|--------------|-------------|--------|---------------|--------------------|-----------|-------------|------------|----------|
| | | | | | | | REV # | DESCRIPTION | DATE | APPROVED |
| 3061F | D.C. BAYONET (BA15d) | 28.0V | 0.51±10% | 15±15% | C-2V | 300 | 1 | ISSUED | 10/24/2014 | R.M. |
| | | | | | | | | | | |
| | | | | | | | | | | |



Note: Made according to SAE specifications

| | | | | | |
|---|---------|----------------------------|----------------------|------------------------|--------------|
| UNLESS OTHERWISE SPECIFIED: DIMENSIONS ARE IN INCHES TOLERANCES | | CEC INDUSTRIES LTD | | | |
| DECIMALS .XX ± .05 | | 599 BOND STREET | | LINCOLNSHIRE, IL 60069 | |
| ANGULAR .XXX ± .010 | | TITLE LIGHT BULB NO. 3061F | | | |
| FRACTIONAL ±1/64 | | DATE 10/24/2014 | SIZE A | DWG NO. 3061F | REV 1 |
| DRAWN ROSE MEDINA | CHECKED | DESIGN | SCALE | PLOT SCALE | SHEET 1 OF 1 |
| MATERIAL | | FILE 3061F.pdf | DRAWING NOT TO SCALE | | |