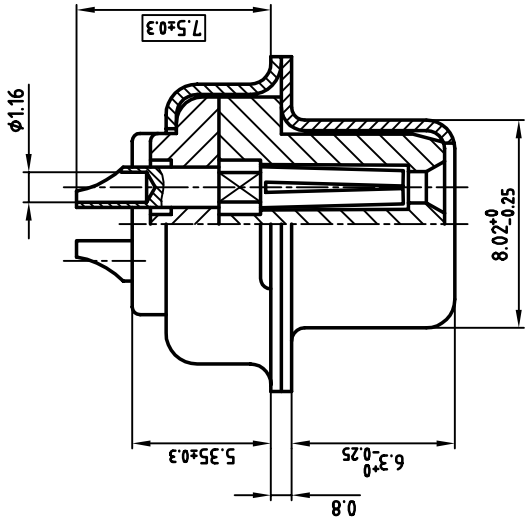
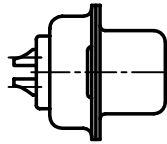
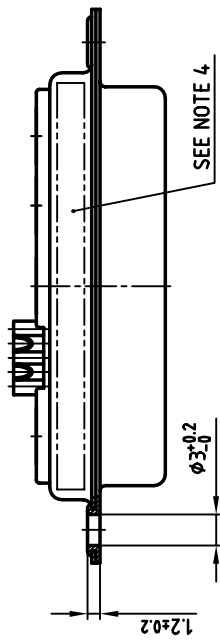
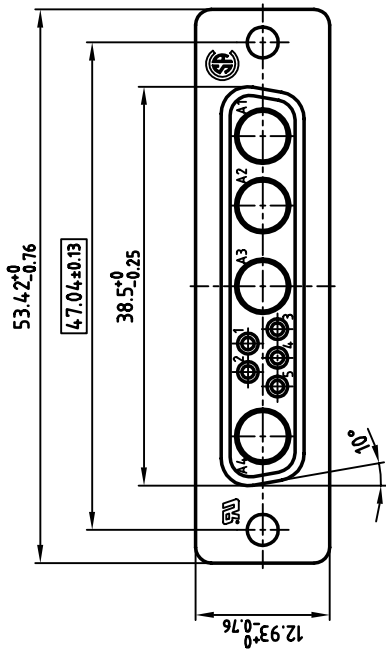


used for: D-SUB COMBINATION



NOTES:

1. METALSHELLS: STEEL; min. 320µ" TIN
2. INSULATORS: PBT GF UL 94 V-0, GREEN
3. SIGNAL CONTACTS: COPPER ALLOY
PLATING: min. 30µ" HARD GOLD OVER min. 50µ" NICKEL
SOLDER CUP ACCEPTS CABLE AWG 20
4. CONNECTOR IS PART MARKED: 3009W4SCM99A10X CONEC Y/W/W
5. = CRITICAL DIMENSION

Directive 2002/95/EC
"RoHS"
Compliant

APPROVAL # FREIGABE # DEBLOCAGE # AUTORIZACION # APPROVAL

CUSTOMER APPROVAL DATE: _____

NAME: _____ TITLE: _____

COMPANY NAME: _____

APPROVAL # FREIGABE # DEBLOCAGE # AUTORIZACION # APPROVAL

THIS DRAWING MAY NOT BE COPIED OR REPRODUCED IN ANY WAY, AND MAY NOT BE PASSED ON TO A THIRD PARTY WITHOUT WRITTEN PERMISSION. OWNERSHIP AND COPYRIGHT OF CONEC GMBH DO NOT ALTER CAD DRAWING BY HAND

2002	date	name	tolerance	scale
drawn	09.08.	Parei		2:1 (5:1)
appd.	09.08.	Mickenbecker		SEE NOTES
norm				
4-old				

APPROVAL # FREIGABE # DEBLOCAGE # AUTORIZACION # APPROVAL

D-SUB COMBINATION FEMALE
9W4S SOLDER CUP

dwg no: 13K1A673 AutoCAD 2000 DIN-A 3

part no: 3009W4SCM99A10X sh: 1/1

