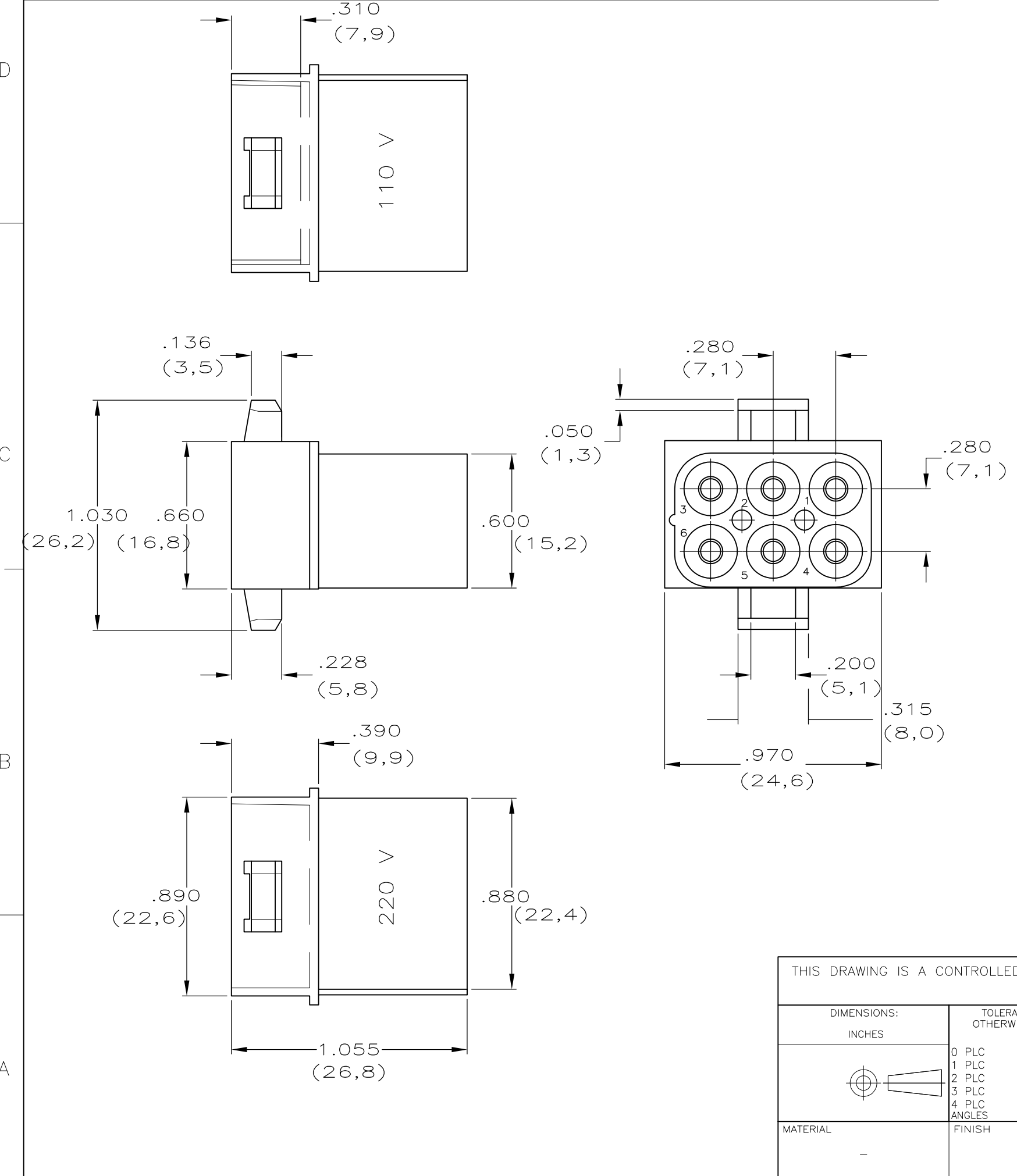


THIS DRAWING IS UNPUBLISHED. RELEASED FOR PUBLICATION  
 © COPYRIGHT - TE Connectivity Ltd. ALL RIGHTS RESERVED.

REVISIONS					
P	LTR	DESCRIPTION	DATE	DWN	APVD
	B1	REVISED PER ECR-18-001762	15FEB2018	BDA	JB


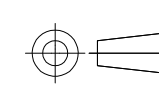


FINISH	MATERIAL	PARTNUMBER
BLACK	POLYAMIDE 94V-0 PHOSPHOR AND HALOGEN FREE	4-163035-9
BLACK	-	3-163035-9
GREY	-	3-163035-8
VIOLET	-	3-163035-7
BLUE	-	3-163035-6
GREEN	POLYAMIDE	3-163035-5
YELLOW	94V-0	3-163035-4
ORANGE	-	3-163035-3
RED	-	3-163035-2
BROWN	-	3-163035-1
NATURAL	-	3-163035-0
BLACK	-	2-163035-9
GREY	-	2-163035-8
VIOLET	POLYAMIDE	2-163035-7
BLUE	94V-2	2-163035-6
GREEN	WITH	2-163035-5
YELLOW	110-220V	2-163035-4
ORANGE	-	2-163035-3
RED	-	2-163035-2
BROWN	-	2-163035-1
NATURAL	-	2-163035-0
BLACK	-	1-163035-9
GREY	-	1-163035-8
VIOLET	-	1-163035-7
BLUE	POLYAMIDE	1-163035-6
GREEN	94V-2	1-163035-5
YELLOW	-	1-163035-4
ORANGE	-	1-163035-3
-	-	-
BROWN	-	1-163035-1
NATURAL	-	1-163035-0

OBSOLETE

OBSOLETE

THIS DRAWING IS A CONTROLLED DOCUMENT.

DIMENSIONS: INCHES	TOLERANCES UNLESS OTHERWISE SPECIFIED:	DWN J ELENBAAS 14-11-94	 TE Connectivity Ltd.
	0 PLC ± -	CHK A BIJNEN	
	1 PLC ± -	APVD	
	2 PLC ± -	PRODUCT SPEC	
MATERIAL	FINISH	APVD	NAME
		PRODUCT SPEC	6-CIRCUIT PINHOUSING MATE-N-LOK
		APPLICATION SPEC	SIZE CAGE CODE DRAWING NO RESTRICTED TO
		WEIGHT	A3 00779 C-C-163035
CUSTOMER DRAWING			SCALE SHEET 1 OF 1 REV B1