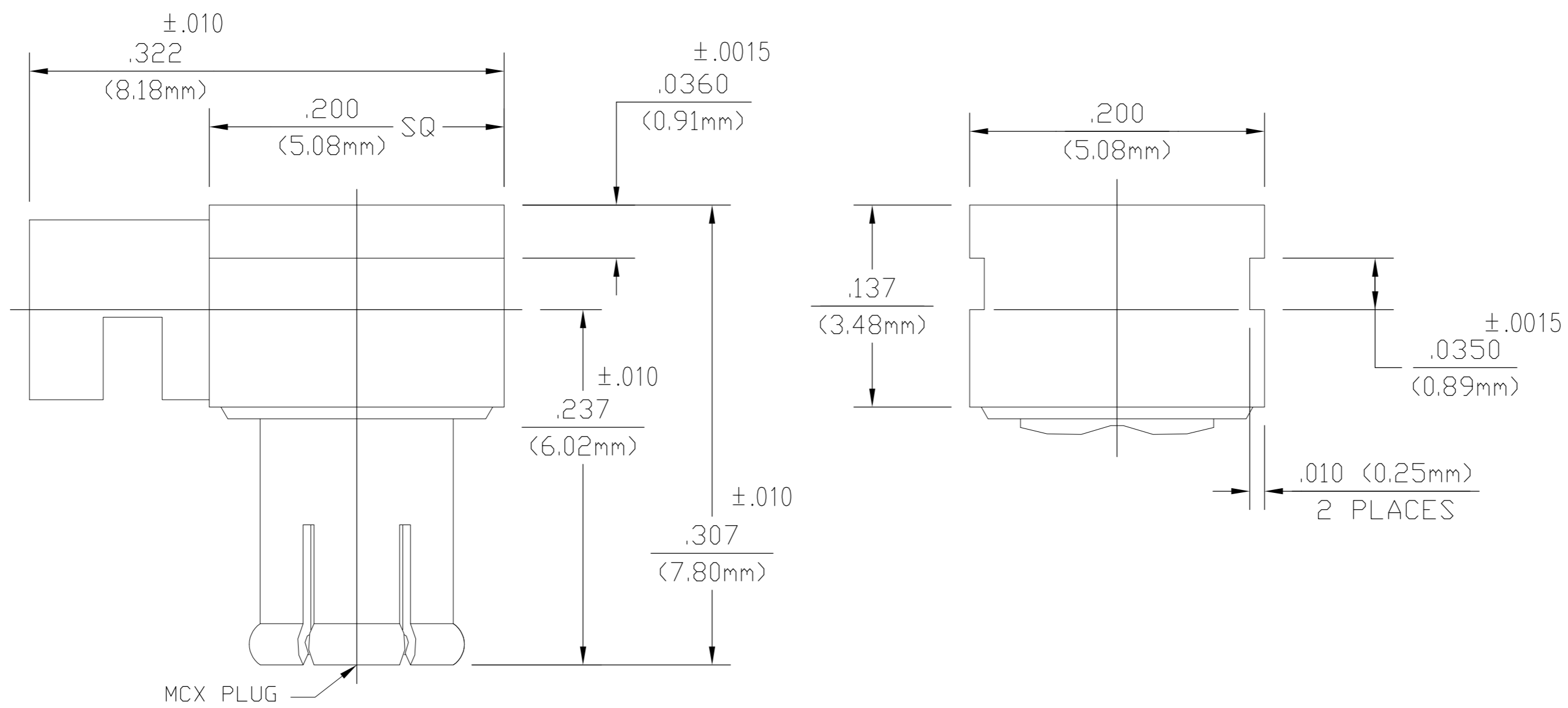


THIS DRAWING IS UNPUBLISHED. RELEASED FOR PUBLICATION
 © COPYRIGHT BY TYCO ELECTRONICS CORPORATION. ALL RIGHTS RESERVED.

| LOC | | DIST | | REVISIONS | | | | | |
|-----|--|------|--|-----------|-----|-----------------------|-----------|-----|------|
| AJ | | 00 | | P | LTR | DESCRIPTION | DATE | DWN | APVD |
| | | | | B | | REV PER ECO 07-027463 | 17DEC2007 | DW | JL |



1. SEE INSTRUCTION SHEET 408-4632

MCX PLUG

| ELECTRICAL | MECHANICAL | ENVIRONMENTAL |
|--|--|---|
| Nominal Impedance (Ohms) <u>50</u> | Force to Engage (Lbs MAX) <u>3.4</u> | Temperature Rating <u>-65°C TO 165°C</u> |
| Frequency Range (GHz) <u>DC TO 4.0</u> | Force to Disengage (Lbs) <u>1.77 min, 4.5 max</u> | Vibration <u>MIL-STD-202, Method 204, Condition B</u> |
| Voltage Rating (VRMS MAX) <u>335 @ Sea level</u> | Center Contact Captivation: <u>Axial 4.5lbs @ 1 minute with .006" displacement</u> | Thermal shock <u>MIL-STD-202, Method 102, Condition C</u> |
| VSWR <u>1.15:1 MAX</u> | Cable Retention <u>Axial (Lbs) 24.5 lbs min</u> | Moisture Resistance <u>MIL-STD-202, Method 106D, 10 cycles 24 hours</u> |
| Insertion Loss <u>.1dB x FGHZ</u> | | Corrosion <u>MIL-STD-202, Method 101, Condition B</u> |
| Corona, 70,000 Ft (VRMS MIN) <u>250 D.W.V.</u> | | |
| (VRMS MIN) <u>1000</u> | | |
| Contact Resistance | | |
| Center Contact (Milliohms MAX) <u>5.0</u> | | |
| Outer Contact (Milliohms MAX) <u>1.0</u> | | |
| Cable To Housing (Milliohms MAX) <u>1.0</u> | | |
| RF High Potential (VRMS MIN @ 5 MHz) <u>670</u> | | |
| I.R. (Megohms Min) <u>10,000</u> | | |

NOTES:
 1. DESIGNED FOR USE WITH RG 174/U, RG 188/U, RG 316/U FLEX CABLE

| |
|------------------------------|
| 1060778-1 |
| PART NUMBER |
| CABLE ENTRY DIAMETER MINIMUM |
| CONTACT .024 SLOT |
| HOUSING .095 |

| COMPONENT | MATERIAL | FINISH |
|----------------------------------|--|----------------------------|
| HOUSING CAP CENTER CONTACT | BRASS PER QQ-B-626 COMP. 360 | GOLD PLATE PER MIL-G-45204 |
| DIELECTRIC | TFE FLUOROCARBON PER ASTM-D-1457, MIL-P-19468, AND FED. SPEC L-P-403 | N/A |
| CONTACT FINGER | BERYLLIUM COPPER PER ASTM B 196, ALLOY C 17300, CONDITION H | GOLD PLATE PER MIL-G-45204 |

| | | | | |
|--|---------------------|------------------------|---|--------------|
| THIS DRAWING IS A CONTROLLED DOCUMENT. | | DWN E.F. HOYLE 10/2/90 | Tyco Electronics Corporation Harrisburg, PA 17105-3608 | |
| DIMENSIONS: INCHES | | CHK K.C.MAHER 10/6/90 | NAME | |
| TOLERANCES UNLESS OTHERWISE SPECIFIED: | | APVD D.R.L 10/8/90 | MCX RIGHT ANGLE CABLE PLUG SOLDER ATTACHMENT (5807-5001-09) | |
| 0 PLC ± - | 1 PLC ± - | PRODUCT SPEC | SIZE | CAGE CODE |
| 2 PLC ± - | 3 PLC ± .005 (0.12) | APPLICATION SPEC | A2 | 00779 |
| 4 PLC ± - | ANGLES ± 1° | WEIGHT | DRAWING NO 1060778-1 | |
| MATERIAL | FINISH | CUSTOMER DRAWING | SCALE 1:1 | SHEET 1 of 1 |
| | | | REV B | |