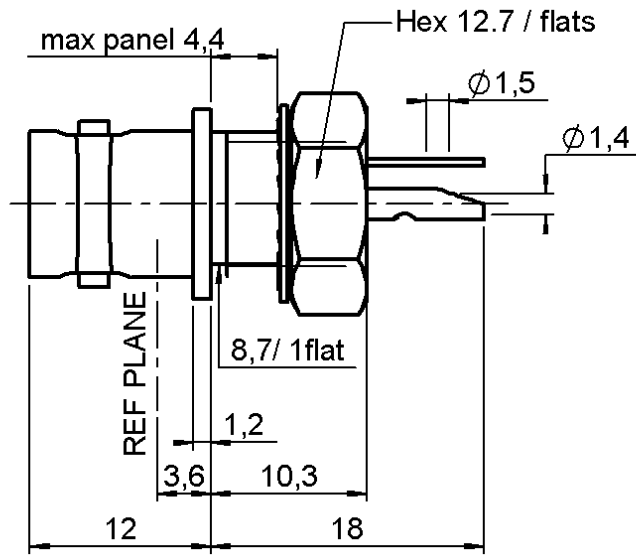


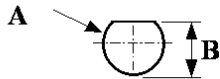
INSULATED BULKHEAD JACK RECEPTACLE
FR. MOUNT. WITH SOLDER POT CONTACT + TAG

R141.574.000

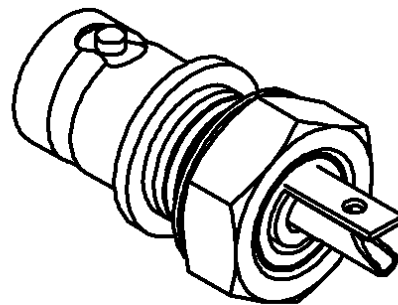
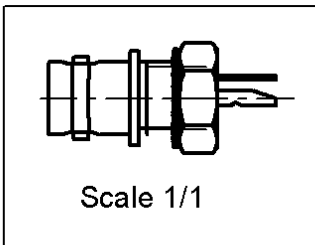
Series : BNC



PANEL CUT OUT



mm		
	Maxi	mini
A	9.7	9.6
B	8.9	8.8



All dimensions are in mm.



COMPONENTS	MATERIALS	PLATING (µm)
BODY	NORYL	-
CENTER CONTACT	BERYLLIUM COPPER	GOLD 0.2 OVER NICKEL 2
OUTER CONTACT	BRASS	NICKEL 2
INSULATOR	NORYL	-
GASKET	-	-
OTHERS PARTS	-	-
-	-	-
-	-	-

Issue : 0629 C

In the effort to improve our products, we reserve the right to make changes judged to be necessary.



INSULATED BULKHEAD JACK RECEPTACLE
FR. MOUNT. WITH SOLDER POT CONTACT + TAG

R141.574.000

Series : BNC

PACKAGING

SPECIFICATION

Standard	Unit	Other
100	'W' option	Contact us

ELECTRICAL CHARACTERISTICS

Impedance	50	Ω
Frequency	0-4	GHz
VSWR	1.06 + 0,0060	x F(GHz) Maxi
Insertion loss	.025*	\sqrt{F} (GHz) dB Maxi
RF leakage	- (57)	- F(GHz) dB Maxi
Voltage rating	500	Veff Maxi
Dielectric withstanding voltage	1500	Veff mini
Insulation resistance	5000	M Ω mini

ENVIRONMENTAL

Operating temperature	-65/+165	$^{\circ}$ C
Hermetic seal	NA	Atm.cm3/s
Panel leakage	NA	

OTHER CHARACTERISTICS

Assembly instruction

Others :

* Coaxial Transmission Line Only

MECHANICAL CHARACTERISTICS

Center contact retention		
Axial force – Mating end	18	N mini
Axial force – Opposite end	18	N mini
Torque	0.03	N.cm mini
Recommended torque		
Mating	NA	N.cm
Panel nut	80	N.cm
Mating life	500	Cycles mini
Weight	10,000	g

Issue : 0629 C

In the effort to improve our products, we reserve the right to make changes judged to be necessary.

