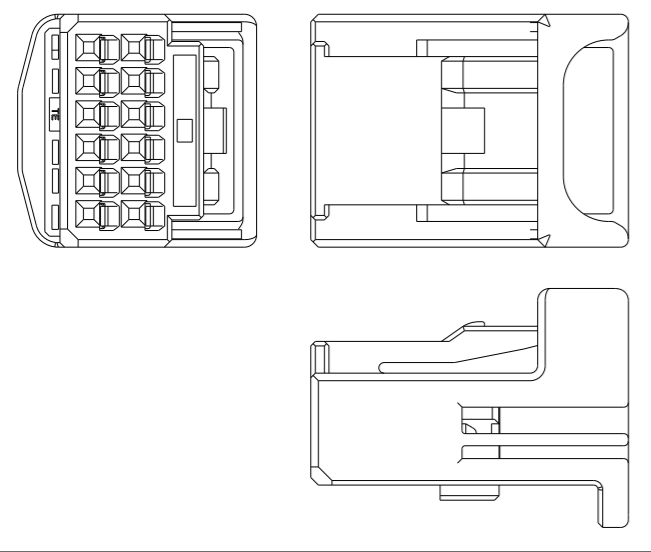
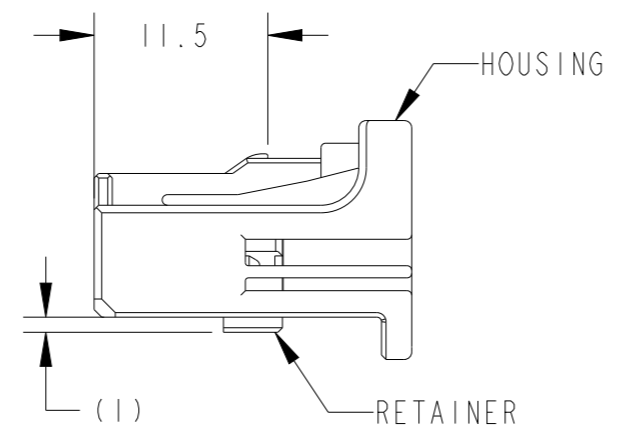
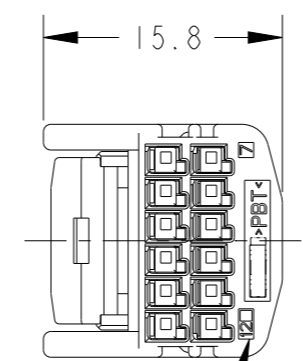
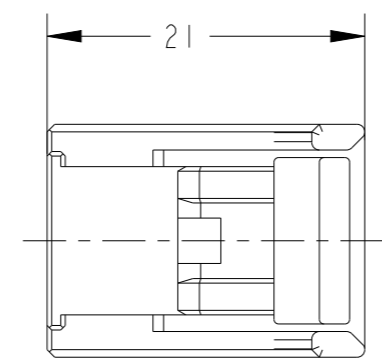
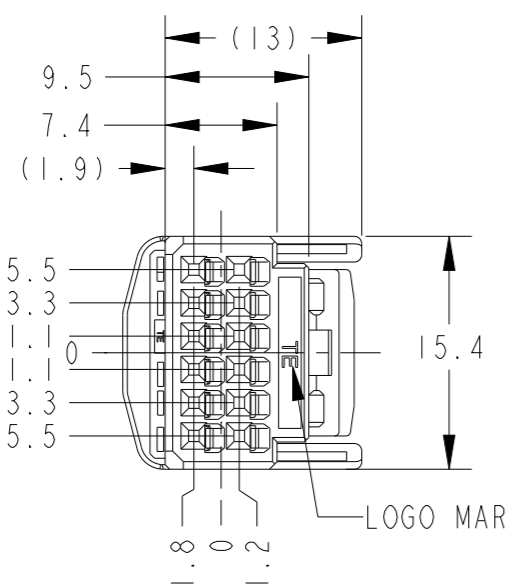


© COPYRIGHT 2004

AS SHOWN: -6, -7, -8



REVISIONS						
P	LTR	DESCRIPTION	ECN	DATE	DWN	APVD
	01	REVISED ADD -2	FJAO-0067-04	27APR04	TS	KB
	02	REVISED ADD -3	ECR-05-006775	14JUL05	AY	HY
	A	REVISED	ECR-09-023330	19NOV09	TS	KB
	A1	REVISED ADD -6, -7, -8	ECR-21-002838	29MAR21	SU	RK



1. RETAINER SHOULD BE SENT TO THE PRE-ASSEMBLY.
2. INSTRUCTION SHEET NO.411-78080.
3. PART NUMBER OF CAP HOUSING TO BE MATED : SEE TABLE-1
4. APPLIED TERMINALS : SEE TABLE-2

1. プラグハウジングにリテーナを仮係止して出荷される
2. 取扱説明書NO.411-78080
3. 嵌合相手型番 : TABLE-1参照
4. 適用端子 : TABLE-2参照

TABLE-1

POS 極数	CAP ASSEMBLY PART NO. キャップ 型番	
12	W-W	1565894
	W-B	1318772
		6318772
		1473898

PAPER BOX ダンボール	PLASTIC BAG ビニール袋	WEIGHT	COLOR	PART NUMBER
		2.2g	GRAY	1717106-8 (A1)
		2.2g	BLACK	1717106-7 (A1)
		2.2g	NATURAL	1717106-6 (A1)
		2.2g	GRAY	1717106-3
		2.2g	BLACK	1717106-2
		2.2g	NATURAL	1717106-1
OUTER 外装	INNER 内装	(A1)		
PACKING STYLE 梱包形態		WEIGHT	COLOR	PART NUMBER

TABLE-2

SIGNAL	TIN	TERMINAL NO. 端子型番	APPLICABLE WIRE RANGE 適用電線
0.64111	SELECTIVE GOLD	1674311-1	AVSS/CAVS/CAVUS/AVSSH-f 0.3~0.5mm <sup>2</sup>
		1674311-7	
		1674311-2	
		1674311-8	

THIS DRAWING IS A CONTROLLED DOCUMENT.

DIMENSIONS:  
単位: 耗  
mm

TOLERANCES UNLESS OTHERWISE SPECIFIED:  
一般公差 ±0.3  
0-PLC ±  
1-PLC ±0.1  
2-PLC ±0.01  
3-PLC ±0.001  
4-PLC ±0.0001  
ANGLES ±3'00"

MATERIAL 材料 PBT FINISH 仕上 SEE TABLE

DWN S. AMEMIYA 26JAN04  
CHK H. YAMAGAMI 26JAN04  
APVD K. ASAI 26JAN04

NAME 名称 0.64111 12P PLUG HOUSING ASSEMBLY

PRODUCT SPEC 108-5931  
APPLICATION SPEC 114-5329

WEIGHT SEE TABLE

CUSTOMER DRAWING

SCALE 尺度 2:1 SHEET 1 OF 1 REV A1

STE TE Connectivity

SIZE A3 CAGE CODE DRAWING NO. 1717106 RESTRICTED TO