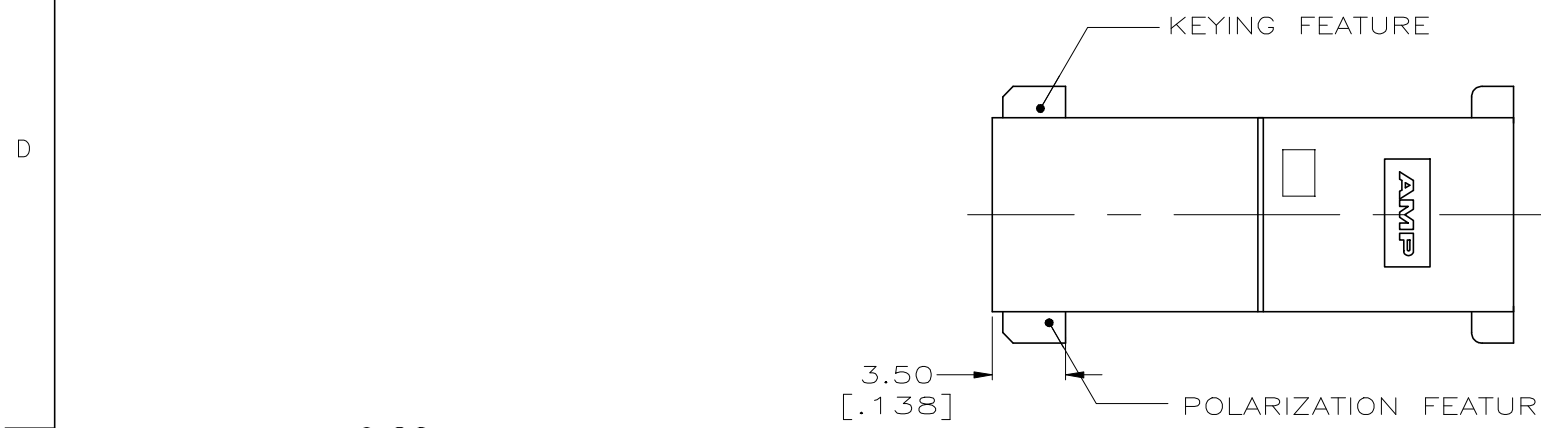
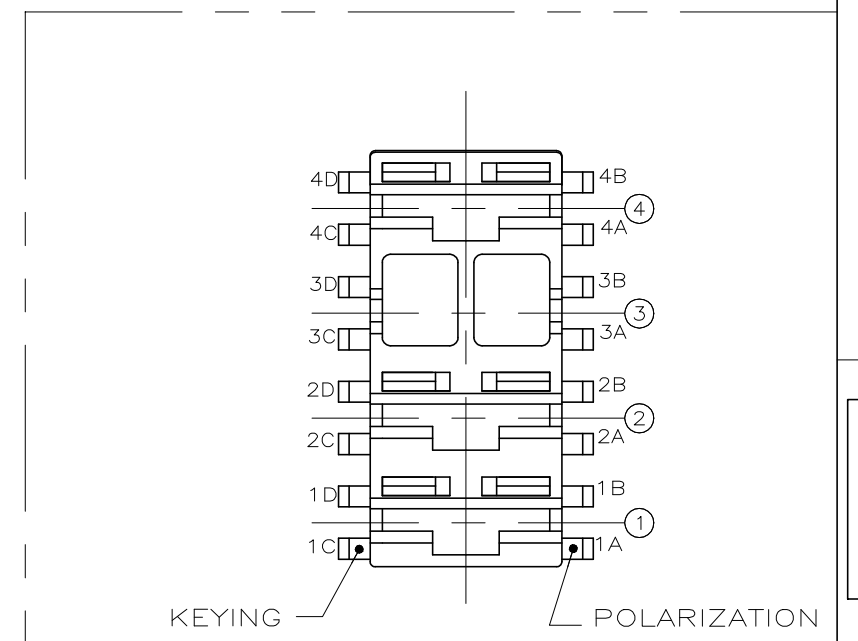
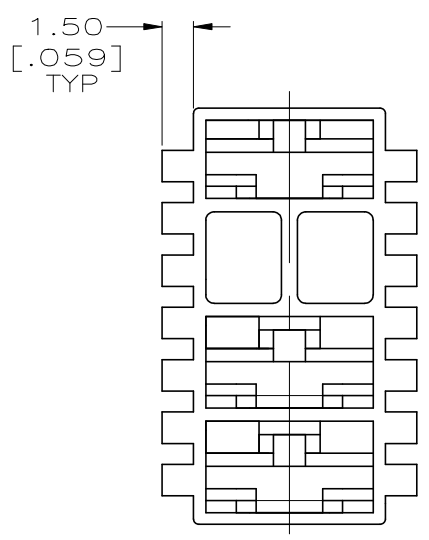
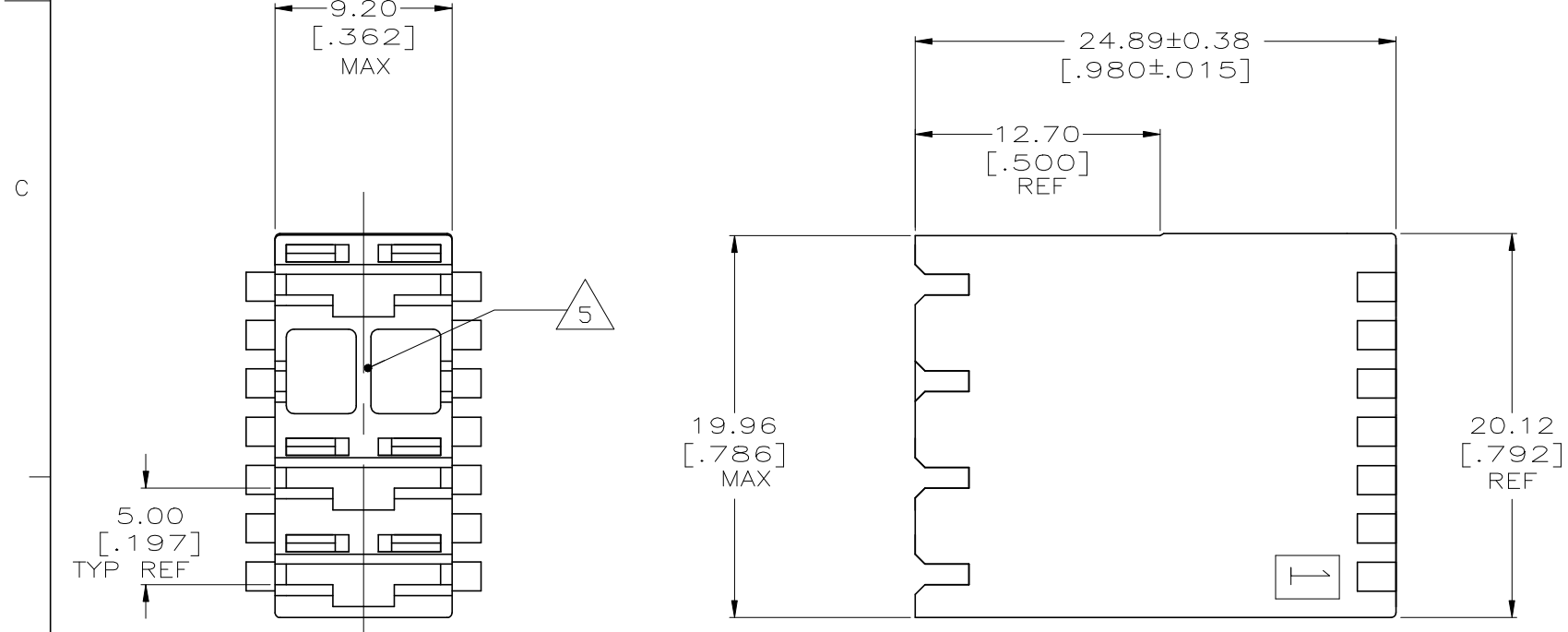


| REVISIONS | | | | | |
|-----------|-----|---------------|-----------|-----|------|
| P | LTR | DESCRIPTION | DATE | DWN | APVD |
| | P2 | ECR-19-008615 | 03JUN2019 | KD | FL |

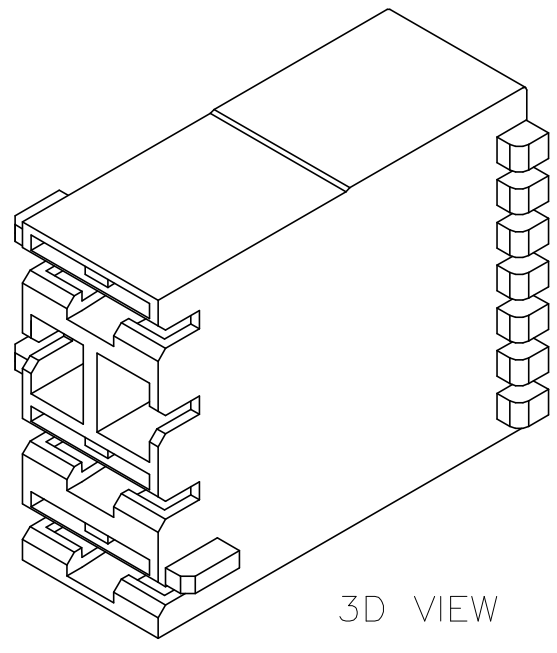


- ACCEPTS RAST P-LOCK CONTACTS. FOR EXAMPLE,
 - 1217378(#18-#22 AWG SINGLE WIRE)
 - 1217094(#18-#14 AWG SINGLE WIRE)
 - 1217095(2x #18'S, 2x #16'S, #16 + #18 COMBINATION).
 - 2238135(#16-#18 AWG SINGLE WIRE, 2x #18)
 - 2238136(#18-#22 AWG SINGLE WIRE)
- FRONT AND BACK VIEWS SHOW ONLY THE GRIPPERS. FOR KEYING AND POLARIZATION FEATURES, SEE SPECIAL FRONT VIEW.
- TAB SHOULDER SLOTS OPTIONAL ON BOTH SIDES OF DUMMY CIRCUIT.

- △4 MATERIAL: UL94 V0, GWPT 750°C NO FLAME ACCORDING TO IEC-60335-1
- △5 BLOCKED CAVITY LOCATION



KEYING & POLARIZATION CODING AND COMBINATIONS
 SPECIAL FRONT VIEW



3D VIEW

| | | | | | | |
|----------|-------------------------|--------------------|---------|----------------|-----------------------|---------------|
| OBSOLETE | 4 | 04-A | NATURAL | 3C, 4D | 1B | △4 1-521295-1 |
| | 3 | --- | BLUE | NONE | NONE | 521295-3 |
| | 3 | 04-A | NATURAL | 3C, 4D | 1B | 521295-2 |
| | 3 | --- | BLUE | NONE | NONE | 521295-1 |
| △5 | BLOCKED CAVITY LOCATION | RAST 5 DESIGNATION | COLOR | KEYING FEATURE | POLARIZATION FEATURES | PART NO. |

THIS DRAWING IS A CONTROLLED DOCUMENT.

| | | | | |
|----------------|--|---------------------------|---------|---|
| DIMENSIONS: mm | TOLERANCES UNLESS OTHERWISE SPECIFIED: | DWN 14APROO JR RUTH | 14APROO | TE Connectivity HOUSING, RECEPT, POSITIVE-LOCK, MKIII, 6.35[.250] SERIES, 4 POSITION/3 CIRCUIT |
| | 0 PLC ± - | CHK 14APROO MS FEHER | 14APROO | |
| | 1 PLC ± - | APVD 14APROO D BRATINA | 14APROO | |
| | 2 PLC ± 0.25 [.010] | PRODUCT SPEC | | |
| | 3 PLC ± - | APPLICATION SPEC | | SIZE CAGE CODE DRAWING NO RESTRICTED TO |
| | 4 PLC ± - | 114-2074 | | A2 00779 C-521295 |
| MATERIAL NYLON | FINISH SEE TABLE | WEIGHT | | CUSTOMER DRAWING SCALE 4:1 SHEET 1 OF 2 REV P2 |

| REVISIONS | | | | | |
|-----------|-----|-------------|------|-----|------|
| P | LTR | DESCRIPTION | DATE | DWN | APVD |
| - | | SEE SHEET 1 | - | - | - |



| P/N | 521295-* | 1-521295-1 |
|-------------------------|----------|------------|
| FRONT VIEW | | |
| BLOCKED CAVITY LOCATION | 3 | 4 |

| | | | | | |
|--|--|--------------------------------|---|--------------------|------------------------|
| THIS DRAWING IS A CONTROLLED DOCUMENT. | | DWN JR RUTH 14ARP2000 | | | |
| DIMENSIONS: MM | | CHK MS FEHER 14APR2000 | | | |
| | | APVD D BRATINA 14APR2000 | NAME HOUSING, RECEPT, POSITIVE-LOCK, MKIII, 6.35(.250) SERIES, 4 POSITION/3CIRCUIT | | |
| TOLERANCES UNLESS OTHERWISE SPECIFIED: | | PRODUCT SPEC | SIZE A2 | CAGE CODE 00779 | DRAWING NO C=521295 |
| 0 PLC ± | | APPLICATION SPEC | RESTRICTED TO | | |
| 1 PLC ± | | 114-2074 | - | | |
| 2 PLC ±0.25 (.010) | | WEIGHT | - | | |
| 3 PLC ± | | CUSTOMER DRAWING | SCALE | SHEET | REV |
| 4 PLC ± | | | 4:1 | 2 OF 2 | P2 |
| ANGLES ± | | | | | |
| FINISH | | | | | |
| MATERIAL NYLON | | | | | |
| - | | | | | |