

# ENVELOPE / ASSEMBLY DRAWING

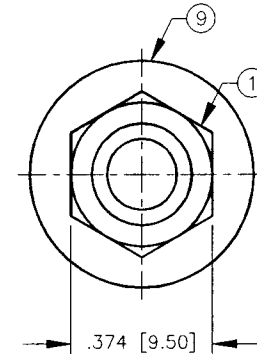
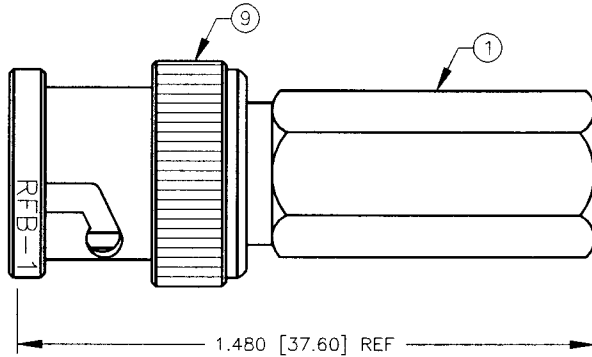
008974

## SPECIFICATION CONTROL DRAWING

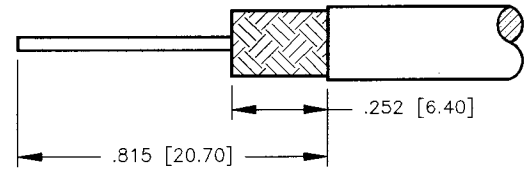
THIS DRAWING CONTAINS INFORMATION PROPRIETARY TO RF INDUSTRIES, LTD. ANY UNAUTHORIZED USE OF THIS DRAWING IS EXPRESSLY PROHIBITED. ANY VIOLATION IS PUNISHABLE UNDER U.S. COPYRIGHT LAWS.

REV	DESCRIPTION	DWN	DATE	APPROVED
A	ENGINEERING RELEASE	CZS	12/8/97	R. RICE

ALL DIMENSIONS ARE REFERENCE ONLY



SCREW CONNECTOR ONTO CABLE IN A CLOCKWISE DIRECTION UNTIL IT STOPS



### SPECIFICATIONS:

IMPEDANCE: 50 OHMS  
 WORKING VOLTAGE: 500 VRMS @ SEA LEVEL  
 FREQUENCY RANGE: 0-4 GHz  
 FOR RG-58, 58A, 58C, 141, 141A, 400/U, BELDEN 8240,  
 8259, 8262, 9201, 9203, 9310, 9311,  
 COMM/SCOPE 0268 & CUSHCRAFT ULTRALINK TL92463E

DIMENSIONS ARE IN INCHES AND [MILLIMETERS]

UNLESS OTHERWISE NOTED TOLERANCES ARE:

DECIMALS      DIAMETER

DRAWN	C. ZUNIGA	12/8/97
CHECKED	<i>C. Zuniga</i>	12/8/97
ORIG DRAWN	C. ZUNIGA	12/8/97
APPROVALS		DATE

**RFconnectors**  
 DIVISION OF RF INDUSTRIES, LTD.

7610 MIRAMAR RD  
 SAN DIEGO, CA 92126  
 (619)549-6340  
 (619)549-6345 FAX

## RFB-1104

BNC MALE TWIST-ON PLUG

SIZE	CABLE GROUP	DWG NO.	REV
A	C	8812	A
SCALE: 2:1		CAD FILE 13ARC B	SHEET 1 OF 1

ITEM	DESCRIPTION	QTY	MATERIAL	FINISH
9	SHELL	1	BRASS	NICKEL
8	WASHER	1	BRASS	NICKEL
7	SPRING WASHER	1	SK5	NICKEL
6	SPLIT LOCK WASHER	1	BRASS	NICKEL
5	GASKET	1	S.I. RUBBER	RED
4	DIELECTRIC	1	DELTRIN	NONE
3	DIELECTRIC	1	DELTRIN	NONE
2	PIN	1	BRASS	SILVER
1	BODY	1	BRASS	NICKEL