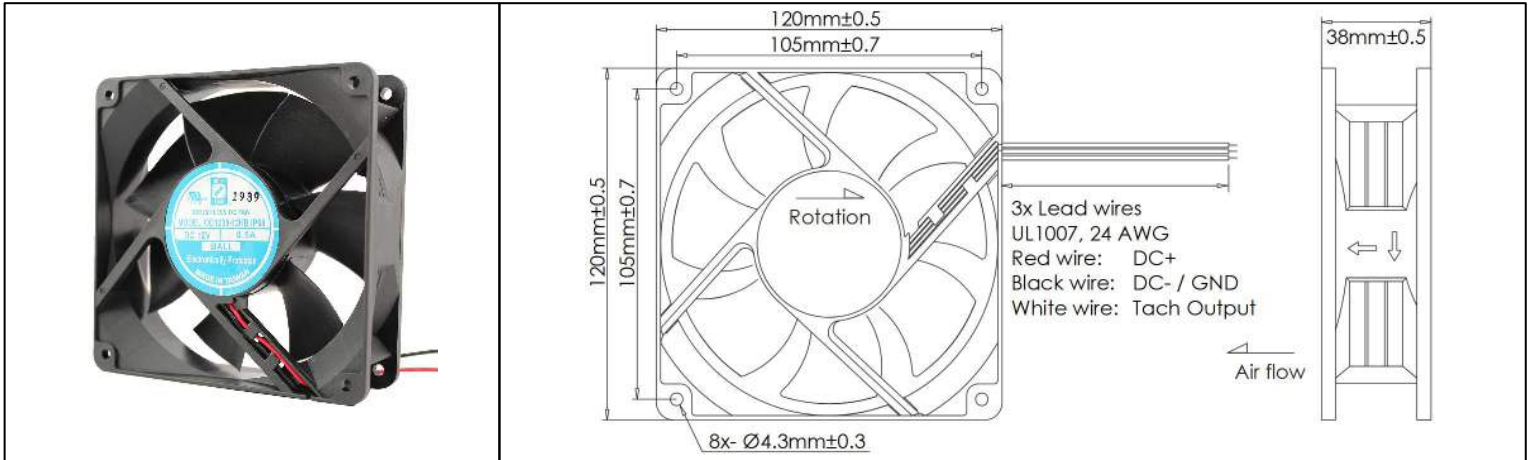


# OD1238-24HB01A



DC Fan, 24V  
120x38mm (4.7"x1.5")



<b>Frame</b>	PBT, UL94 V-0 plastic	<b>Operating Temperature</b> -20°C ~ +65°C  <b>Storage Temperature</b> -25°C ~ +70°C  <b>Life Expectancy</b> 65,000 hours (L10 at 45°C)  <b>Installed Options</b> Tachometer Output  Weight: 0.44 lbs  m0	
<b>Impeller</b>	PBT, UL94 V-0 plastic		
<b>Connection</b>	3x Lead wires, 24 AWG		
<b>Motor</b>	Brushless DC, Auto Restart, Auto Cutoff, Polarity Protected, Electronically Protected		
<b>Bearing System</b>	Dual Ball Bearings		
<b>Dielectric Strength</b>	500VAC/min, < 1mA		
<b>Insulation Resistance</b>	10M Ω between leadwires and frame (500 VDC)		

Part Number	Rated Voltage	Voltage Range	Input Power	Rated Current	Rated Speed (RPM)	Airflow (CFM)	Noise Level (dB)	Max. Static Pressure
OD1238-24HB01A	24 VDC	16 ~ 26 VDC	12 W	0.5 A	2895	124.1	44.1	0.47" H <sub>2</sub> O

