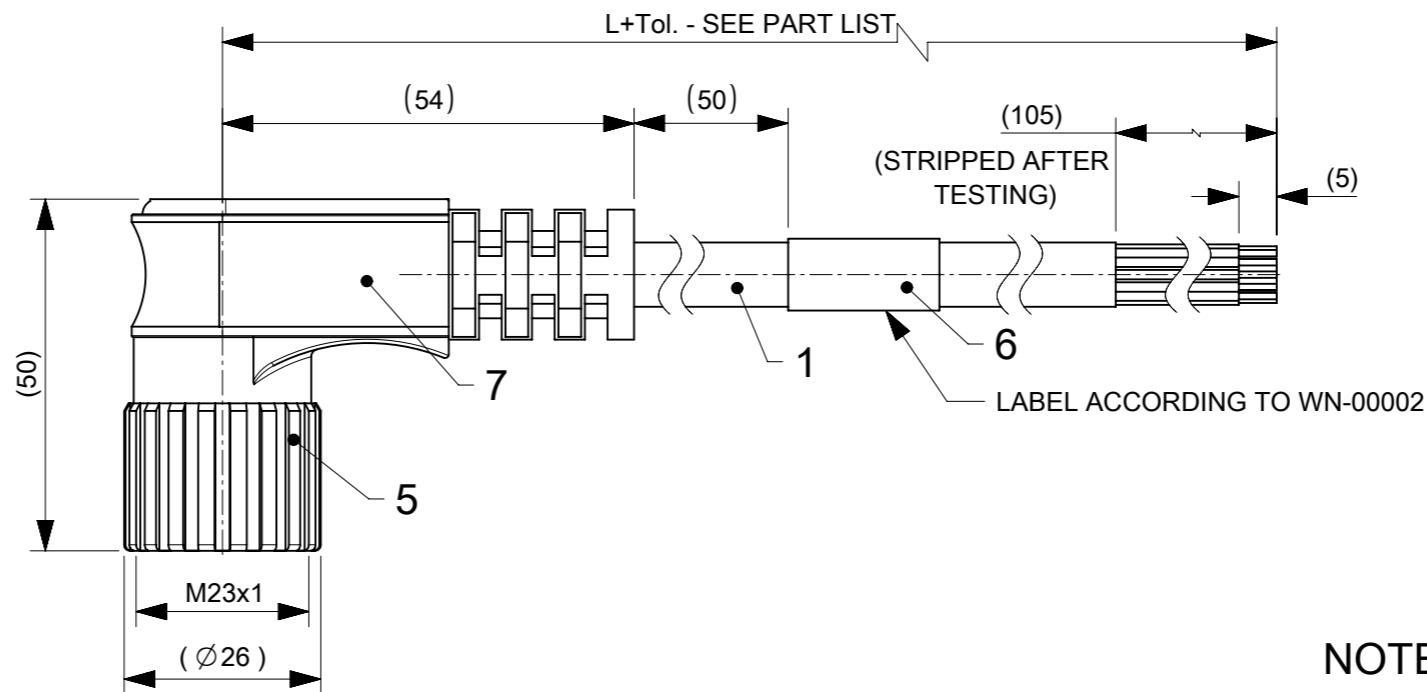
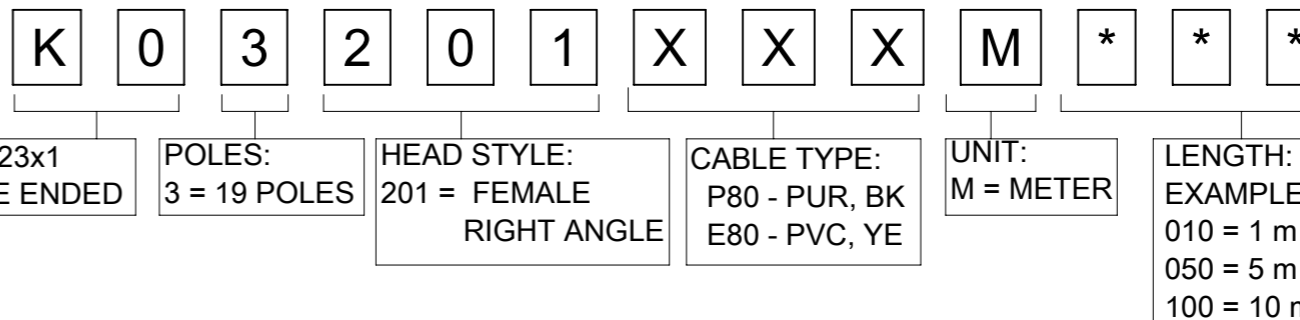


CABLE INFORMATION :

CABLE SPECIFICATION FOR CABLE TYPE E80 :
 CABLE SPECIFICATION FOR CABLE TYPE P80 :

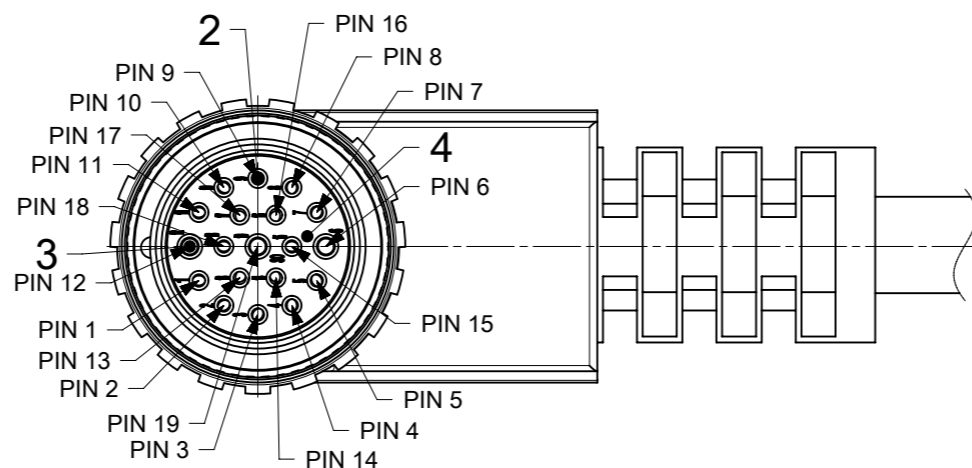
CONDUCTOR A: MATERIAL: BARE COPPER SECTION: 0.75mm ² /19AWG STRANDING: 42X0.15mm INSULATION A: COMPOUND: PVC DIAMETER: $\varnothing 2.1 \pm 0.10$ mm	CONDUCTOR A: MATERIAL: BARE COPPER SECTION: 0.75mm ² /19AWG STRANDING: 42X0.15mm INSULATION A: COMPOUND: PVC DIAMETER: $\varnothing 2.0 \pm 0.10$ mm
CONDUCTOR B: MATERIAL: BARE COPPER SECTION: - 0.34mm ² /22AWG INSULATION B: COMPOUND: PVC DIAMETER: $\varnothing 1.55 \pm 0.10$ mm JACKET: COMPOUND: PVC COLOR: YELLOW DIAMETER: $\varnothing 9.80 \pm 0.20$ mm	CONDUCTOR B: MATERIAL: BARE COPPER SECTION: - 0.34mm ² /22AWG INSULATION B: COMPOUND: PVC DIAMETER: $\varnothing 1.55 \pm 0.10$ mm JACKET: COMPOUND: BLEND PUR COLOR: BLACK DIAMETER: $\varnothing 11.40 \pm 0.25$ mm

PART NO MATRIX



WIRING DIAGRAM

1	-
2	RED
3	GREY
4	RED-BLUE
5	GREEN
6	BLUE
7	GREY-PINK
8	WHITE-GREEN
9	WHITE-YELLOW
10	-
11	-
12	GREEN-YELLOW
13	YELLOW-BROWN
14	BROWN-GREEN
15	WHITE
16	YELLOW
17	PINK
18	-
19	BROWN



NOTES:

VOLTAGE RATING : 100 V @ Pollution Degree 3
 300 V @ Pollution Degree 2
 AMPERAGE RATING : 6.0 A
 PROTECTION CLASS : IP67
 OPERATING TEMPERATURE : -25° TO 90°C

BOM

ITEM	QTY	DESCRIPTION	MATERIAL	FINISH
7	-	MOULDING	TPU	BLACK
6	1	LABEL	VINYL	YELLOW
5	1	COUPLING NUT M23 FE	BRASS	Ni PLATED
4	1	INSERT 19P FE	PUR	BLACK
3	3	CONTACT FE	BRASS	Au OVER Ni
2	16	CONTACT 10 FE	COPPER	Ni PLATED
1	SEE PART LIST	CABLE	SEE MATRIX	SEE MATRIX

PART LIST

MOLEX PN	ENGINEERING No	L [mm]
1200948137	K03201E80M050	5000
1200948071	K03201E80M150	15000
1200948026	K03201P80M050	5000
1200948027	K03201P80M100	10000

CABLE LENGTH TOLERANCES		
OVER [mm]	UP TO AND INCLUDING [mm]	TOLERANCES [mm]
0	305	+19
305	915	+45
915	1830	+56
1830	3660	+89
3660	7320	+165
7320	14640	+317
14640	30500	+610
30500	>	+2% OF FINISHED LENGTH

THIS DRAWING CONTAINS INFORMATION THAT IS PROPRIETARY TO MOLEX ELECTRONIC TECHNOLOGIES, LLC AND SHOULD NOT BE USED WITHOUT WRITTEN PERMISSION

FUNCTIONAL SYMBOLS

$\sqrt{A} = 0$ mm 1:1

GENERAL TOLERANCES (UNLESS SPECIFIED)

ANGULAR TOL $\pm 1.0^\circ$

4 PLACES \pm

3 PLACES \pm

2 PLACES ± 0.05

1 PLACE ± 0.1

0 PLACES ± 0.2

DIVISIONAL SYMBOLS

DRAFT WHERE APPLICABLE MUST REMAIN WITHIN DIMENSIONS

CURRENT REV DESC:

EC NO: 642268

DRWN: MDHARMANTI 2020/07/22

CHK'D: RSILLER 2020/07/28

APPR: RSILLER 2020/07/28

INITIAL REVISION:

DRWN: MDHARMANTI 2020/07/22

APPR: RSILLER 2020/07/28

THIRD ANGLE PROJECTION

DRAWING A3-SIZE

SERIES 120094

MATERIAL NUMBER SEE SHEET 2

CUSTOMER GENERAL MARKET

CSE M23 19P 15W FE RA XXX XM SE

PRODUCT CUSTOMER DRAWING

DOCUMENT NUMBER 1200948071 DOC TYPE PSD DOC PART 000 REVISION A

SHEET NUMBER 1 OF 1