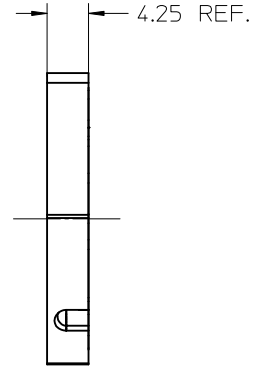
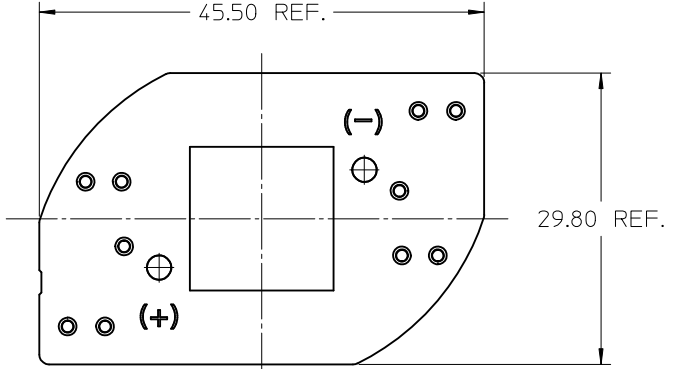
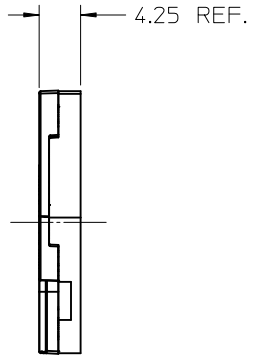
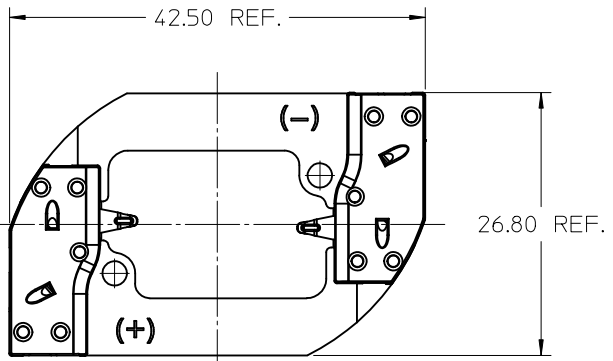
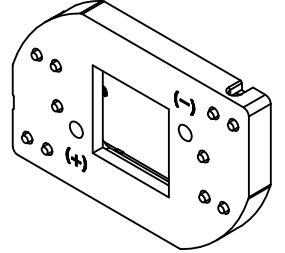
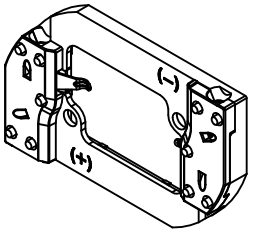


| PART NUMBER | DESCRIPTION                            |
|-------------|--|
| 180250-0000 | ILLUMITEX 500 LED HOLDER WITHOUT COVER |
| 180250-0001 | ILLUMITEX 500 LED HOLDER WITH COVER    |

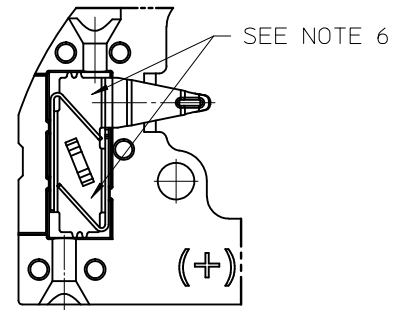
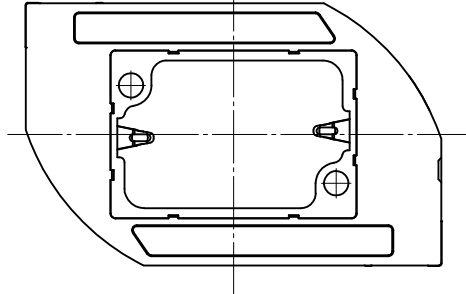
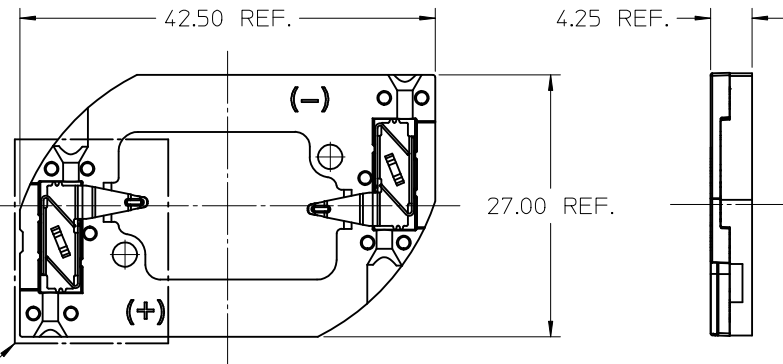


- NOTES:
- MATERIALS:
    - CAPS: NATURAL COLOR PA66 NYLON 25% GF UL94V-0
    - HOUSING: NATURAL COLOR PA66 NYLON 25% GF UL94V-0
    - COVER: NATURAL COLOR PA66 NYLON 25% GF UL94V-0
  - WIRE TRAP TERMINALS: COPPER ALLOY
    - FINISH: GOLD OVER NICKEL
  - THIS PRODUCT IS ELV AND ROHS COMPLIANT
  - APPLICABLE WIRE GAUGE - 20 AWG
    - SOLID WIRE IS RECOMMENDED
    - IF STRANDED WIRE IS USED, PRE-TINNED IS RECOMMENDED
    - 1 cm STRIP LENGTH IS RECOMMENDED
  - MOUNT HOLDER USING M2 SCREWS (2), 0.8 NEWTON METERS MAX TORQUE
  - FOR POTTED APPLICATIONS, THE ENCAPSULANT MUST NOT ENTER THE WIRE TRAP OR CONTACT BEAM CAVITIES. ENCAPSULANT IN THESE AREAS MAY PREVENT ELECTRICAL CONTACT
  - UL RECOGNIZED TO UL496
    - UL RECOGNIZED TO CSA-C22.2 NO. 43 (2008)
    - RATED 600V
    - UL FILE NUMBER E345583, UL-OLFB2

|   |                       |  |  |  |              |                        |
|---|-----------------------|--|--|--|--------------|------------------------|
| <b>ENTER DESCRIPTION</b><br>EC NO: SSL2012-0041<br>DRAWN BY: JAKLIC<br>CHKD: JAKLIC<br>APPR: DMCGOWAN<br>DATE: 2011/11/01<br>DESCRIPTION: 2011/11/02<br>REV: A1 | QUALITY SYMBOLS       | GENERAL TOLERANCES (UNLESS SPECIFIED)                | DIMENSION STYLE  | SCALE                                    | DESIGN UNITS | THIRD ANGLE PROJECTION |
|   | ▽Z=0                  | mm INCH  | MM ONLY  | 2:1                                      | METRIC       |                        |
|   | ▽E=0                  | 4 PLACES ± --- ± ---                                 | DRAWN BY DATE  | TITLE<br><b>ILLUMITEX 500 LED HOLDER</b> |              |                        |
|   | ▽E=0                  | 3 PLACES ± --- ± ---                                 | FJAKLIC 2011/06/08   |  |              |                        |
| ▽E=0  | 2 PLACES ± 0.13 ± --- | CHECKED BY DATE                                      | APPROVED BY DATE<br>DMCGOWAN 2011/06/21<br><b>molex</b> MOLEX INCORPORATED |  |              |                        |
|   | 1 PLACE ± 0.25 ± ---  | MATERIAL NO.   |  |  |              |                        |
|   | ANGULAR ± 1/2°        | DRAFT WHERE APPLICABLE MUST REMAIN WITHIN DIMENSIONS |  | SEE CHART                                |              | DOCUMENT NO.           |
|   |                       | SIZE B   |  | SD-180250-001                            |              | SHEET NO. 1 OF 2       |
| THIS DRAWING CONTAINS INFORMATION THAT IS PROPRIETARY TO MOLEX INCORPORATED AND SHOULD NOT BE USED WITHOUT WRITTEN PERMISSION                                   |                       |  |  |  |              |                        |

WIRE TRAP CAPS REMOVED FROM FRONT VIEW FOR CLARITY

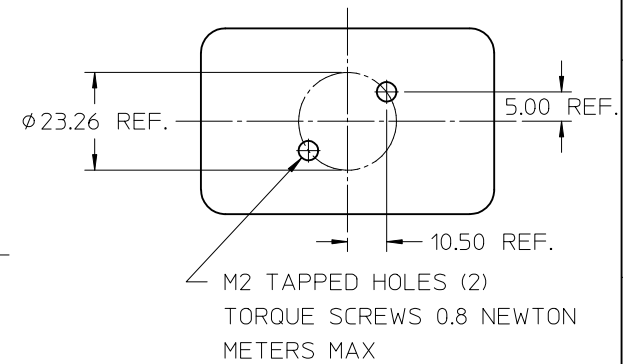
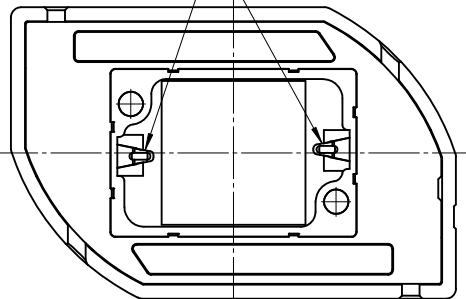
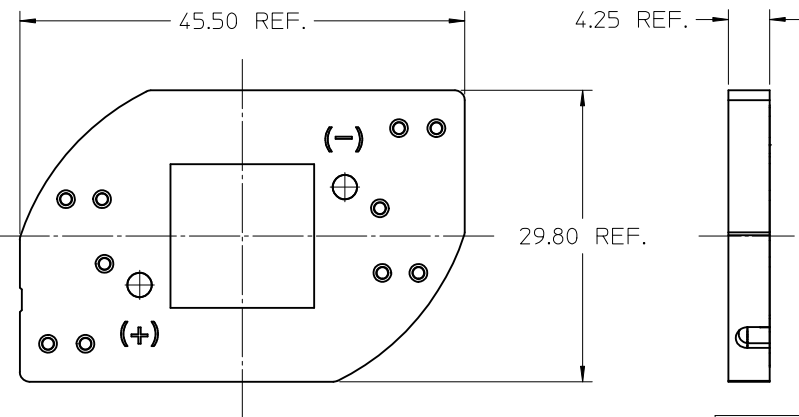
LED HOLDER PART NUMBER 180250-0000



VIEW OF TWO-WAY WIRE TRAP  
WIRE TRAPS ACCOMODATE 20 GAUGE WIRE

DETAIL SCALE 3:1

LED HOLDER WITH COVER PART NUMBER 180250-0001



RECOMMENDED MOUNTING DIMENSIONS (NTS)

|   |  |   |  |   |   |  |
|---|--|---|--|---|---|--|
| <b>ENTER DESCRIPTION</b><br>EC NO: SSL2012-0041<br>DRAWN: FJAKLIC 2011/11/01<br>CHKD:<br>APPR: DMCGOWAN 2011/11/02<br>DESCRIPTION<br>REV<br><b>A1</b> | QUALITY SYMBOLS<br>▽/0<br>▽/0<br>▽/0                 | GENERAL TOLERANCES (UNLESS SPECIFIED)<br>mm INCH<br>4 PLACES ± --- ± ---<br>3 PLACES ± --- ± ---<br>2 PLACES ± 0.13 ± ---<br>1 PLACE ± 0.25 ± ---<br>ANGULAR ± 1/2° | DIMENSION STYLE<br><b>MM ONLY</b><br>DRAWN BY DATE<br>FJAKLIC 2011/06/08<br>CHECKED BY DATE<br>APPROVED BY DATE<br>DMCGOWAN 2011/06/21<br>MATERIAL NO. | SCALE<br><b>2:1</b><br>DESIGN UNITS<br><b>METRIC</b><br>THIRD ANGLE PROJECTION  | TITLE<br><b>ILLUMITEX 500 LED HOLDER</b><br><b>MOLEX INCORPORATED</b><br>DOCUMENT NO.<br><b>SD-180250-001</b><br>SHEET NO.<br><b>2 OF 2</b> |  |
|   | DRAFT WHERE APPLICABLE MUST REMAIN WITHIN DIMENSIONS |   | SEE CHART  | THIS DRAWING CONTAINS INFORMATION THAT IS PROPRIETARY TO MOLEX INCORPORATED AND SHOULD NOT BE USED WITHOUT WRITTEN PERMISSION |   |  |
|   |  |   | SIZE<br><b>B</b>   |   |   |  |
|   |  |   |  |   |   |  |