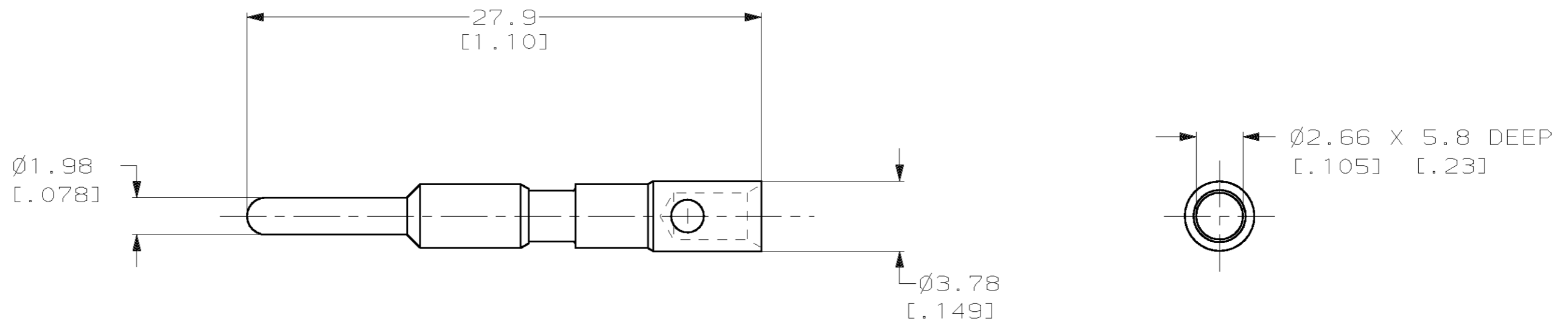


THIS DRAWING IS UNPUBLISHED. RELEASED FOR PUBLICATION, 19 .  
 © COPYRIGHT 19 BY AMP INCORPORATED. ALL INTERNATIONAL RIGHTS RESERVED.

LOC CH DIST 11 P F

REVISIONS				
ZONE	LTR	DESCRIPTION	DATE	APPD
	O	RELEASED FOR PRODUCTION	07/JAN/97	RNP
	A	ECN 0B20-1083-98	20/AUG/98	RNP
	B	EC 0B20-0530-99	29/APR/99	RNP

- 1. MATERIAL: COPPER ALLOY.
- 2. FINISH: SILVER PLATE
- 3. WIRE BARREL WILL ACCEPT 12-14 AWG WIRE.
- 4. MATES WITH AMP PART NUMBER 194213-1.
- 5. ALL DIMENSIONS ARE REFERENCE ONLY.



194212-1  
PART NO

DO NOT SCALE PRINT. UNLESS SPECIFIED DIMENSIONS IN mm [INCHES] TOLERANCES ON: 2 PLC DEC ± 0.5 [.02] 3 PLC DEC ± 0.25 [.010] ANGLES ± -	DR 07/JAN/97 R N POLK	<b>AMP</b> AMP Incorporated Harrisburg, PA 17105-3608
	CHK -	
	APPD -	NAME PIN, 2MM, #12/14AWG, LUBRICATED HIGH CURRENT MATE-N-LOK II
	APPD -	SIZE B CAGE CODE 00779 DRAWING NO C-194212
MATERIAL 1	PRODUCT SPEC -	SCALE
FINISH 2	APPLICATION SPEC -	SHEET 1 OF 1
WEIGHT -		

THIS DRAWING IS A CONTROLLED DOCUMENT FOR AMP INCORPORATED. IT IS SUBJECT TO CHANGE AND THE CONTROLLING ENGINEERING ORGANIZATION SHOULD BE CONTACTED FOR THE LATEST REVISION.