

THE INFORMATION CONTAINED IN THIS DRAWING IS THE SOLE PROPERTY OF ANDERSON POWER PRODUCTS. ANY REPRODUCTION IN PART OR WHOLE WITHOUT THE WRITTEN PERMISSION OF ANDERSON POWER PRODUCTS IS PROHIBITED.

Copyright 2022

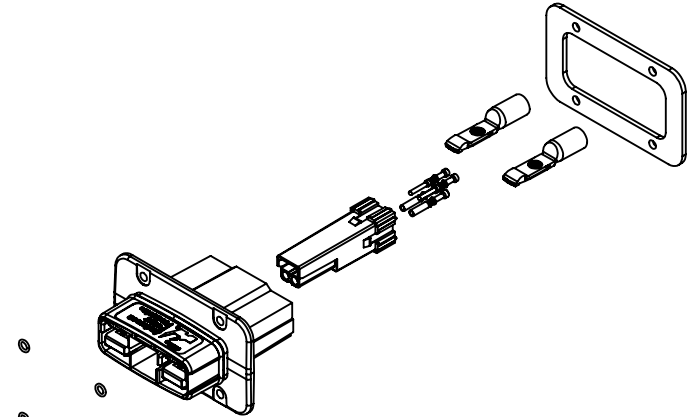
ANDERSON POWER PRODUCTS RESERVES THE RIGHT TO ALTER PRODUCT TYPES, THEIR TECHNICAL DATA, DIMENSION, STYLE AND ACCESSORIES WITHOUT PRIOR NOTIFICATION.

KIT PART NUMBER

KITS DESCRIPTION

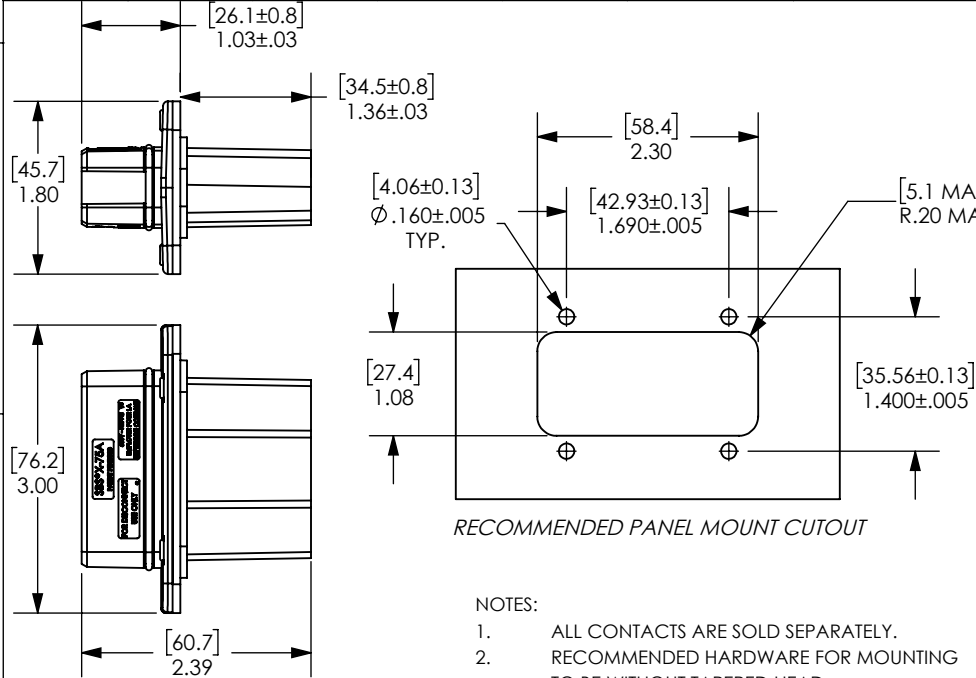
- SBSX75A-PMPLUG-KIT-RED
- SBSX75A-PMPLUG-KIT-BLU
- SBSX75A-PMPLUG-KIT-GRA
- SBSX75A-PMPLUG-KIT-BLK

CONNECTOR KITS CONTAINING THE CONNECTOR ASSEMBLY, SIGNAL HOLDER, PANEL GASKET AND O-RINGS FOR MOUNTING HARDWARE. KIT PART NUMBER IS UNIQUE TO THE COLOR OF THE SIGNAL HOUSING.



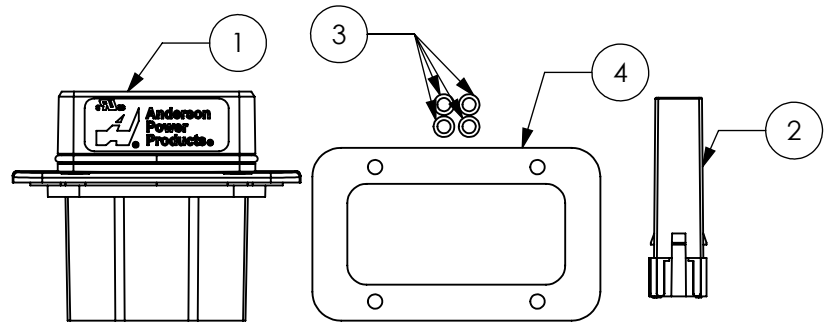
EXPLODED VIEW OF FULL ASSEMBLY
SCALE 1:3

ITEM NUMBER	COMPONENT PART NUMBER				MATERIAL	PART DESCRIPTION	QTY
1	SBSX75A-PMPLUG-BLK				PC/PBT	PANEL MOUNT PLUG HOUSING	1
2	2-8840P1	2-8840P2	2-8840P3	2-8840P4	PC	SIGNAL CONTACT HOUSING	1
COLOR	(RED)	(BLUE)	(GRAY)	(BLACK)	-	-	-
3	115233P14				SILICONE	HARDWARE O-RINGS	4
4	116008P1				NBR	PANEL MOUNT GASKET	1



RECOMMENDED PANEL MOUNT CUTOUT

- NOTES:
- ALL CONTACTS ARE SOLD SEPARATELY.
 - RECOMMENDED HARDWARE FOR MOUNTING TO BE WITHOUT TAPERED HEAD.



DIMENSIONS ARE IN:		INCH [MM]		APPROVALS		ANDERSON POWER PRODUCTS	
UNLESS OTHERWISE STATED							
TOLERANCES:				DRAWN	JWH	2/1/2022	
DECIMALS (INCH) DECIMALS (MM) ANGLES				CHECKED	CMS	3/11/2022	
.XX ±.02 .X ±.5 ±2°				PM APPRV	CM	3/22/2022	
SURFACE FINISH:				QC APPRV	UFN	3/25/2022	
MACHINED 128µin [3.2µ] ✓				ENG APPRV	SH	3/11/2022	
MOLDED 64µin [1.6µ] ✓				MATERIAL:		COA	3332
SEE TABLE				FINISH:		PROD. LINE	SBS@X-75A
TITLE				SEALED SBS@X - 75A PLUG PANEL MOUNT CONNECTOR			
SIZE				DWG NO.		REV.	
A				115991S1		0	
SCALE				CADFILE		SHEET	
NONE				05478		1 OF 1	

REV.	DESCRIPTION	APPRV	DATE
REVISIONS			