

## Side View LEDs

### C4516SDWN3S1-RGBC0120-2H



#### Features

- P-LCC-6 package.
- Inner reflector and white package.
- Colorless clear resin
- Wide viewing angle 120°.
- White SMT package.
- Soldering methods: IR reflow soldering.
- Pb-free.
- The product itself will remain within RoHS compliant version.
- Compliance with EU REACH.
- Compliance Halogen Free .(Br<900ppm,Cl<900ppm,Br+Cl<1500ppm).

#### Description

The 4516-IC is a 3-channels LED driver with 8 bit PWM linear control. The 4516-IC uses a single communication wire to identify LED PWM signal and in total 24bit RGB display. This is a very simple and cost effective for any LED model design.

Due to the package design, 4516-IC has wide viewing angle, and low power consumption. The mixture of blue LEDs, green LEDs and red LEDs results in a white emission. And makes it ideal for light pipe application.

The LED PWM output controlled by duty ration which depends on the 24 bit data each package. All package will latch new data when DIN port received the reset signal. (>50us low-level signal)

#### Applications

- Indoor / Outdoor LED video display
- Full color LED light strip
- LED decorative lighting
- Gaming Exterior

#### Device Selection Guide

Type	Chip Materials	Emitted Color	Resin Color
R	AlGaInP	Brilliant Red	Water Clear
G	InGaN	Brilliant Green	Water Clear
B	InGaN	Brilliant Blue	Water Clear

### Absolute Maximum Ratings (Ta=25°C)

Parameter	Symbol	Rating	Unit
Power supply voltage	VDD	6.5	V
Power Dissipation	P <sub>D</sub>	<400	mW
LED Output Current	I <sub>out</sub>	25	mA
Operating Temperature	T <sub>opr</sub>	-25 ~ +85	°C
Storage Temperature	T <sub>stg</sub>	-40 ~ +90	°C
ESD	ESD	2000	V
Soldering Temperature	T <sub>sol</sub>	Reflow Soldering : 260 °C for 10 sec. Hand Soldering : 350 °C for 3 sec.	

### Electro-Optical Characteristics (Ta=25°C)

Parameter	Symbol	Type	Min.	Typ.	Max.	Unit	Condition
Luminous Intensity	I <sub>v</sub>	R	450	----	1120	mcd	VDD=5V
		G	1120	----	2800		
		B	280	----	710		
Viewing Angle	2θ <sub>1/2</sub>		100	120	140	deg	
Dominant Wavelength	λ <sub>d</sub>	R	618	----	630	nm	
		G	520	----	535		
		B	463	----	475		

Notes:

- Luminous intensity is measured with a light sensor and filter combination that approximates the CIE eye -response curve.
- Tolerance of Luminous Intensity: ±11%
- Tolerance of Dominant Wavelength: ±1nm

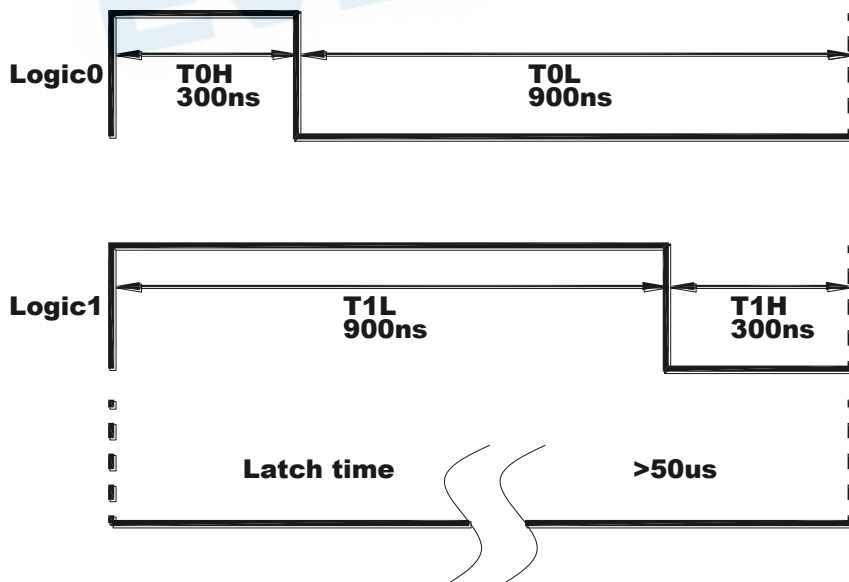
**Electrical Characteristics (Ta=-20~+70°C, Vdd=4.5~5.5V)**

Parameter	Symbol	Min.	Typ.	Max.	Unit	Condition
Output Current	IOL	19	20	21	mA	---
Input leakage	Ileak	---	---	1	μA	DI=0
Input Voltage	V <sub>IH</sub>	2.7	---	---	V	DIN, SET
	V <sub>IL</sub>	---	---	0.3V <sub>dd</sub>	V	DIN, SET
Hysteresis Voltage	V <sub>H</sub>	---	0.35	--	V	DIN, SET
Dynamic Current Dissipation	IDD <sub>dyn</sub>	---	2	--	mA	

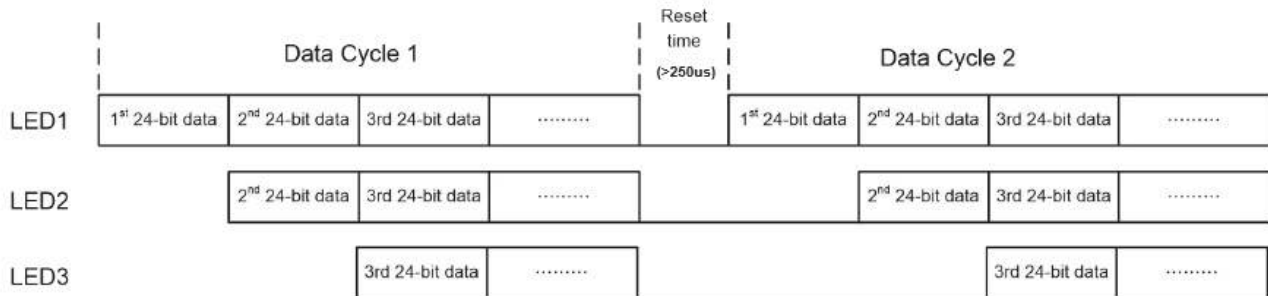
**Data transfer time**

T0H	0 code, high voltage time	0.30 μs	±0.15us
T1H	1 code, high voltage time	0.90 μs	±0.15us
T0L	0 code, low voltage time	0.90 μs	±0.15us
T1L	1 code, low voltage time	0.30 μs	
RES	Low voltage time	Above 250μs	---

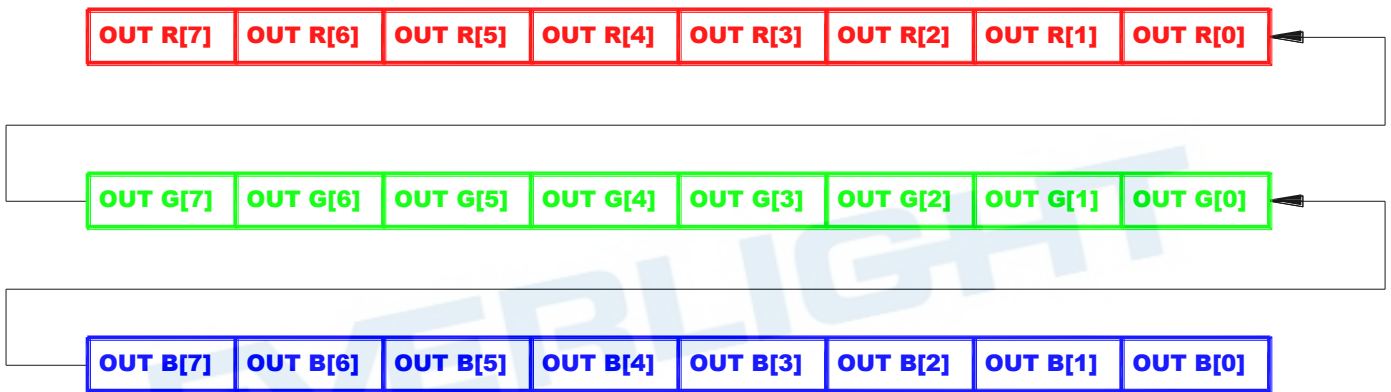
**Timing Wave Form :**



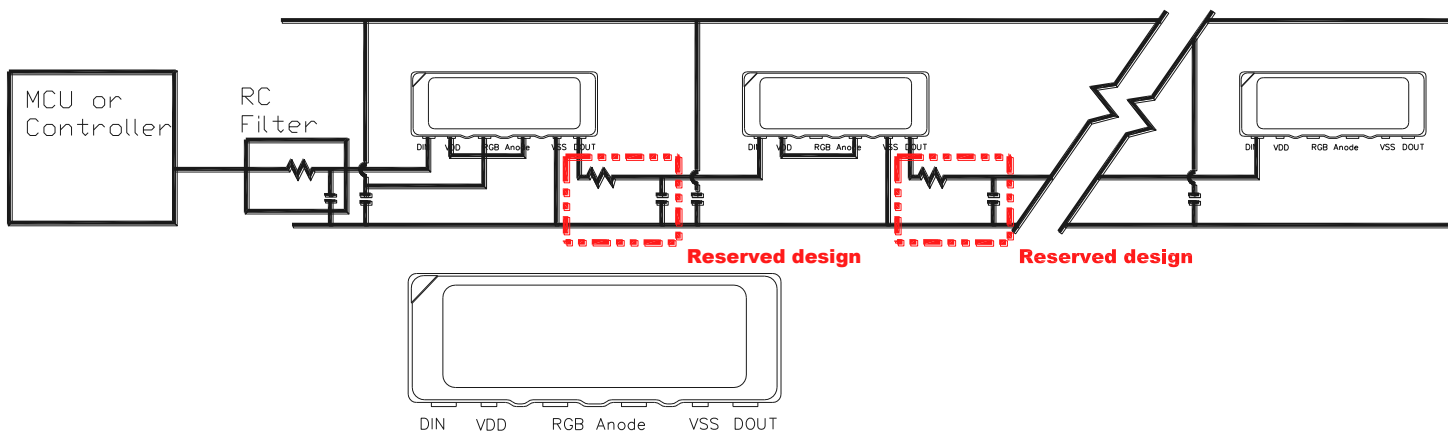
Data Communication :



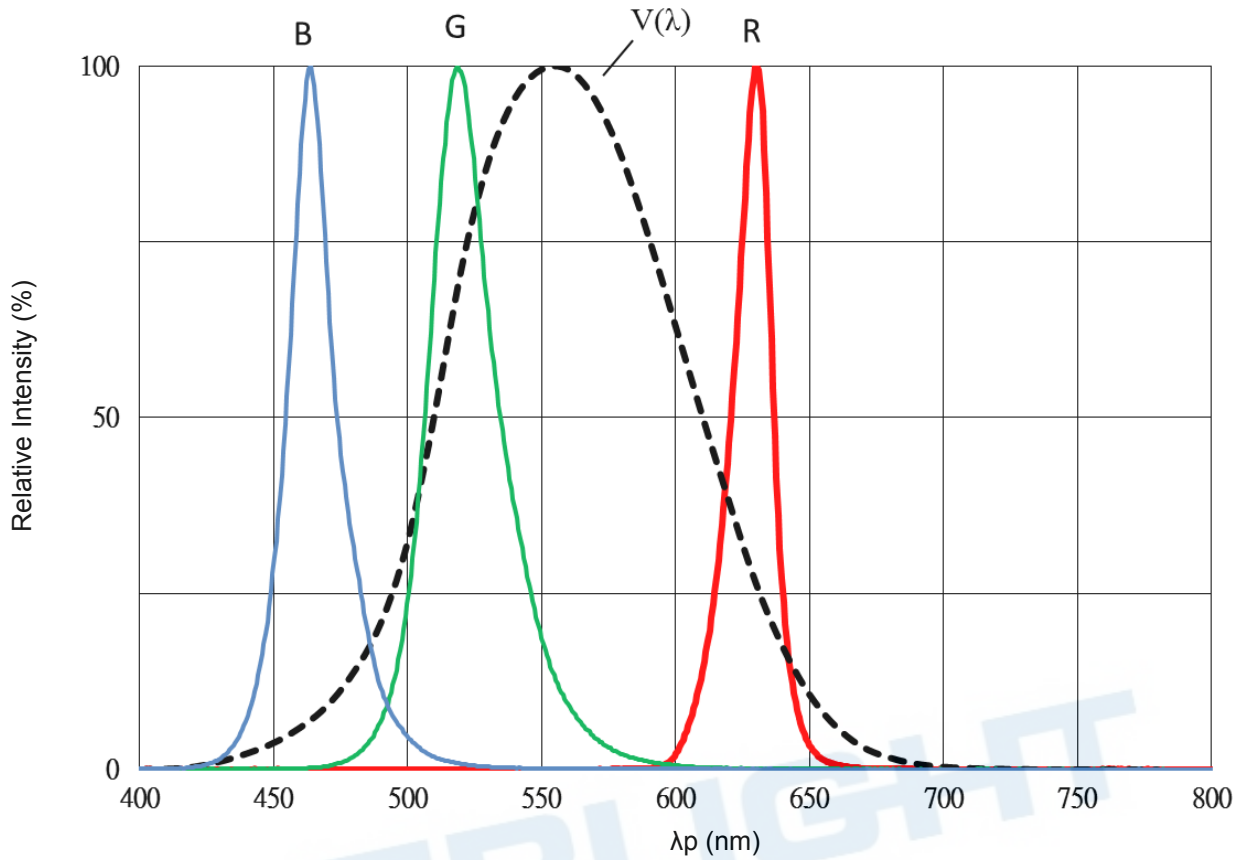
Single Data in 24bit for RGB :



5V Application circuit :

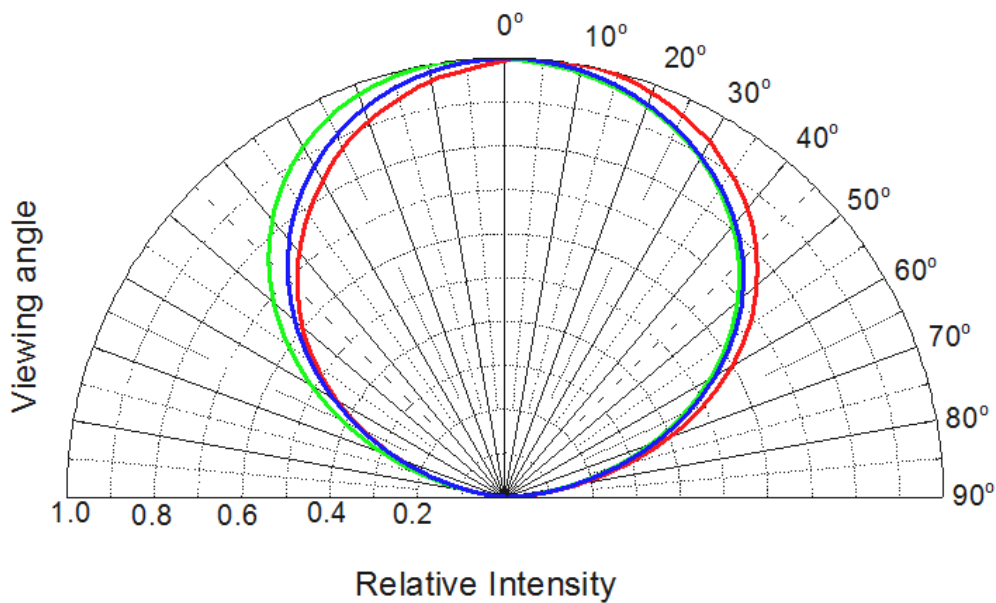


**Typical Electro-Optical Characteristics Curves**  
 Typical Curve of Spectral Distribution

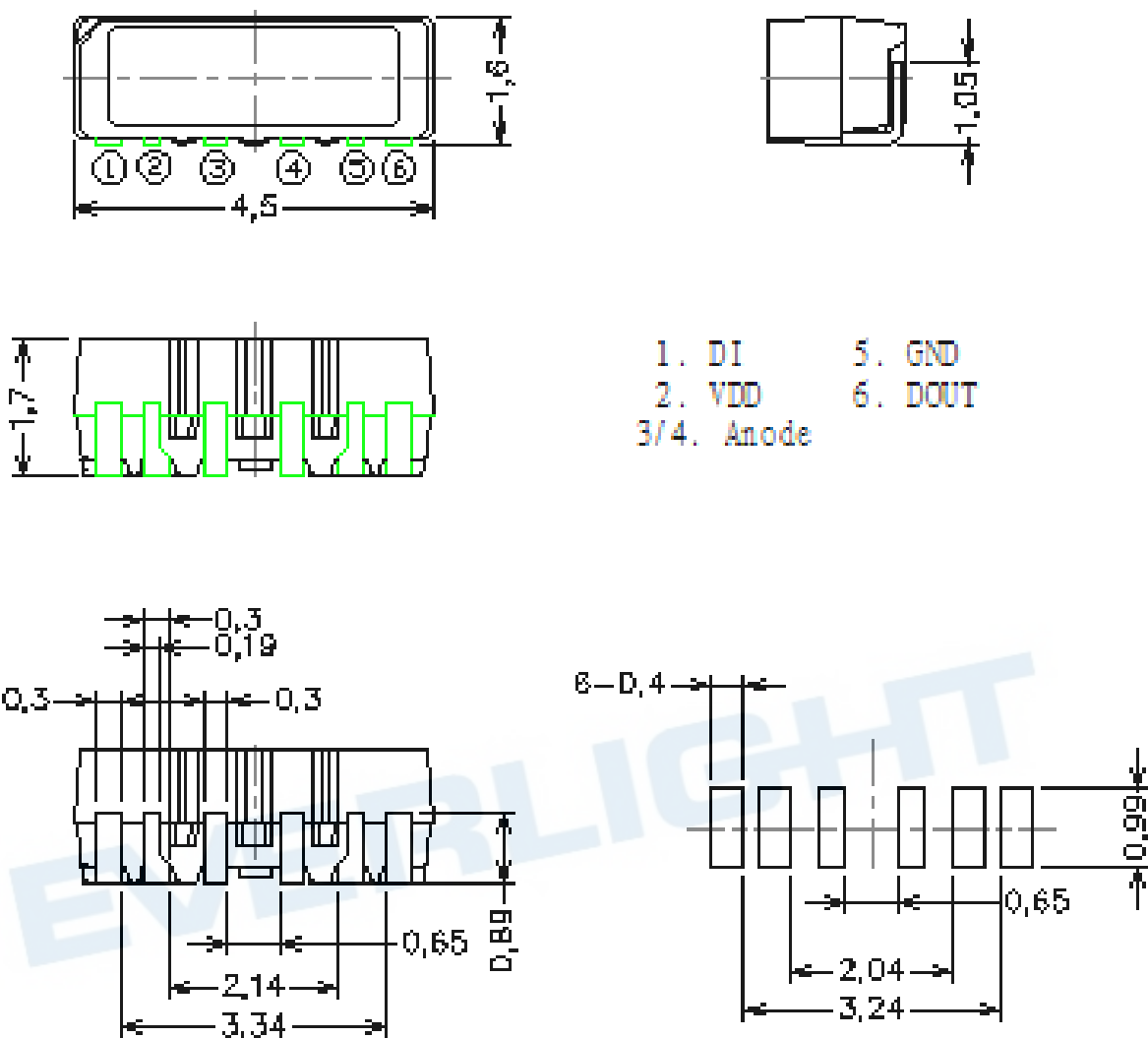


Note:  $V(\lambda)$ =Standard eye response curve;

**Diagram Characteristics of Radiation**



Package Dimension



- 1. DI
- 2. VDD
- 3/4. Anode
- 5. GND
- 6. DOUT

Bot view

Soldering patterns

Suggested pad dimension is just reference only.  
 Please modify the pad dimension based on individual need.

PIN Configuration


NO.	Symbol	Function description
1	DI	Control data signal input
2	VDD	Power supply control circuit / DC power in put for IC
3 / 4	Anode	Power supply control circuit / DC power input for R,G,B chip
5	GND	Ground
6	DOUT	Control data signal output

Note: Tolerances unless mentioned  $\pm 0.1$ mm. Unit = mm

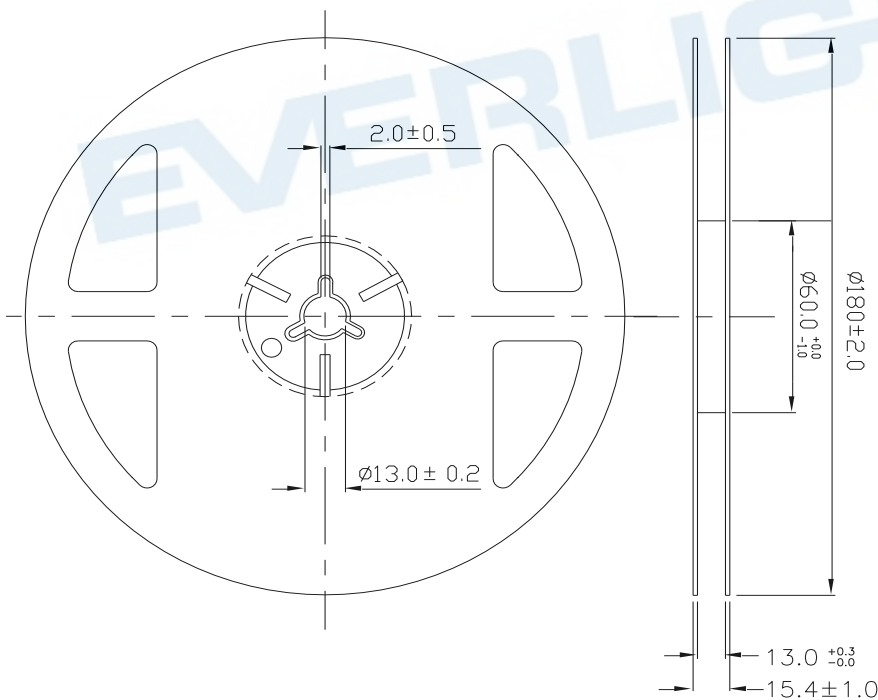
Moisture Resistant Packing Materials

- CPN: Customer's Product Number
- P/N: Product Number
- QTY: Packing Quantity
- CAT: Luminous Intensity Rank
- HUE: Dominant Wavelength Rank
- REF: Forward Voltage Rank
- LOT No: Lot Number

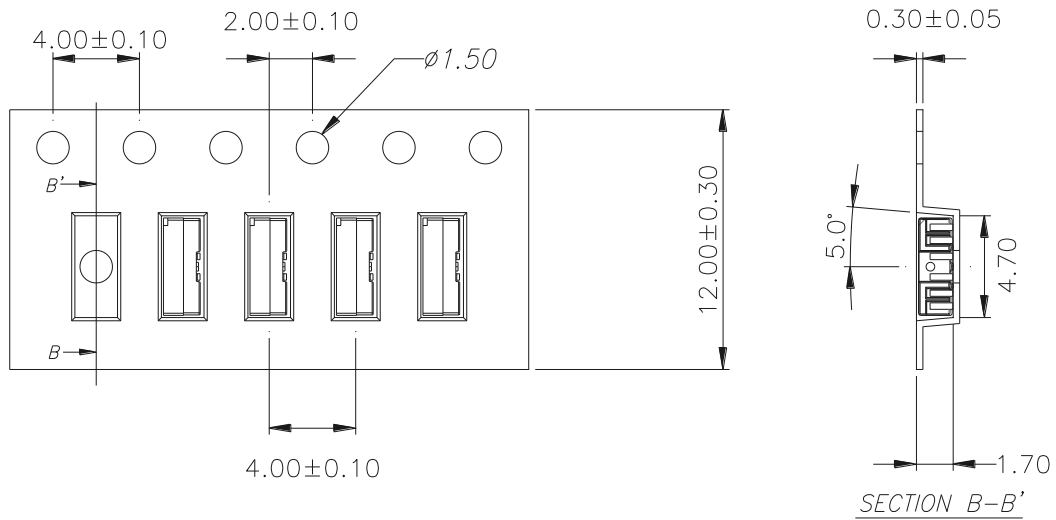
RoHS	(Pb)	EVERLIGHT	5
CPN: XXXXXXXXXXXXXXXXXXXX			
XXXXXXXXXX-XXXXXXXXXX-XXXXXXXXXX-XXXXXXXXXX-XXXXXX			
P/N: XXXXXXXXXXXX			
XXXXXXXXXX-XXXXXXXXXX-XXXXXXXXXX-XXXXXXXXXX-XXXXXX			
LOT NO: Y150716XXX-XXXXXXXXXX-XXXXXXXXXX			
QTY: 0123456789 HUE: XXXXXXXXXXXX			
CAT: XXXXXXXXXXXX REF: XXXXXXXXXXXX			
REFERENCE: BTPYYMDDXXXXX			
MSL-X		MADE IN XXXXXX	



Reel Dimensions

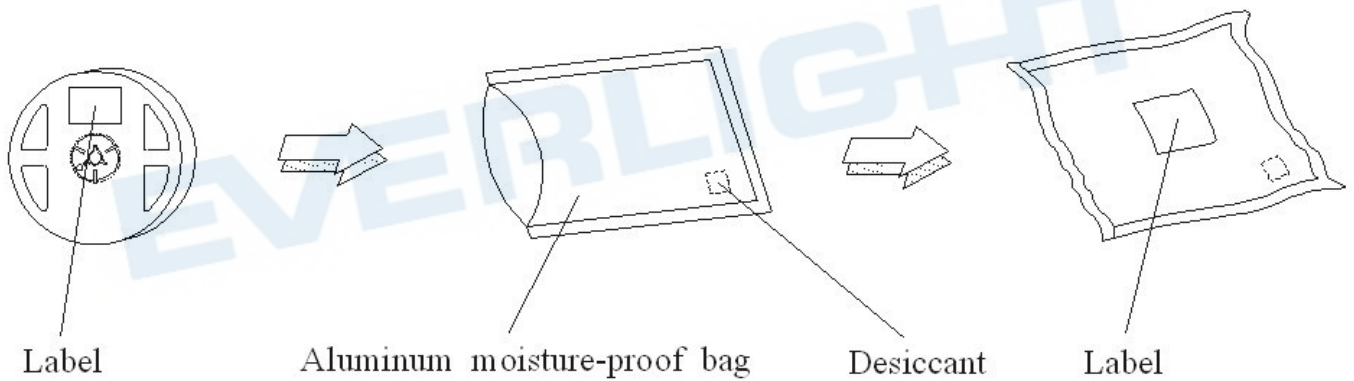


**Carrier Tape Dimensions: Loaded Quantity 2000 pcs Per Reel**



Note: Tolerances unless mentioned  $\pm 0.1$ mm. Unit = mm

**Moisture Resistant Packing Process**



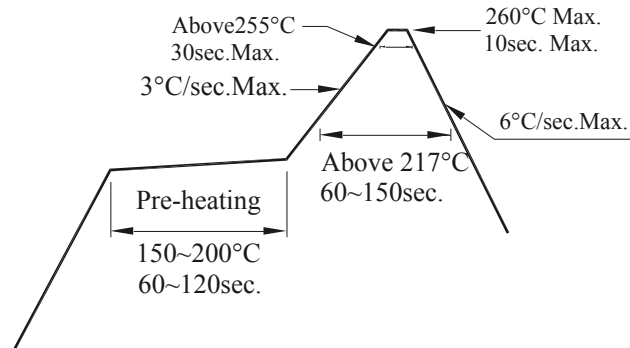
Note: Tolerances unless mentioned  $\pm 0.1$ mm. Unit = mm



## Precautions for Use

### 1. Over-current-proof

1.1 Customer must apply resistors for protection, otherwise slight voltage shift will cause big current change ( Burn out will happen ).



### 2. Storage

2.1 Do not open moisture proof bag before the products are ready to use.

2.2 Before opening the package: The LEDs should be kept at 30°C or less and 90%RH or less.

2.3 If the moisture absorbent material (silica gel) has faded away or the LEDs have exceeded the storage time, baking treatment should be performed using the following conditions.

Baking treatment : 60±5°C for 24 hours.

2.4 It is recommended to solder the LED as soon as possible after unpacking the aluminum envelop, But in case that the LED have to be left unused after unpacking envelop again is requested.

The LED should be soldering within 24 hours after opening the package.

If baking is required, A baking treatment should be performed as follows:

60°C±5°C for more than 24 hours.

### 3. Soldering Condition

3.1 Pb-free solder temperature profile

3.2 Reflow soldering should not be done more than two times.

3.3 When soldering, do not put stress on the LEDs during heating.

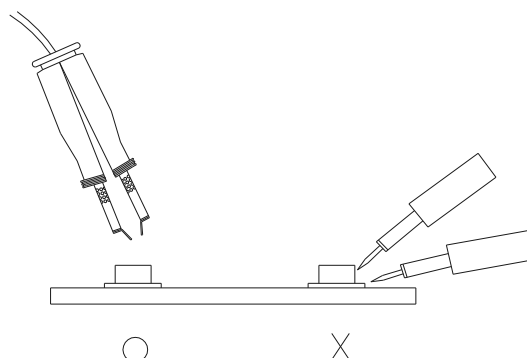
3.4 After soldering, do not warp the circuit board.

### 4. Soldering Iron

Each terminal is to go to the tip of soldering iron temperature less than 350°C for 3 seconds within once in less than the soldering iron capacity 25W. Leave two seconds and more intervals, and do soldering of each terminal. Be careful because the damage of the product is often started at the time of the hand solder.

### 5. Repairing

Repair should not be done after the LEDs have been soldered. When repairing is unavoidable, a double-head soldering iron should be used (as below figure). It should be confirmed beforehand whether the characteristics of the LEDs will or will not be damaged by repairing.



## Application Restrictions

High reliability applications such as military/aerospace, automotive safety/security systems, and medical equipment may require different product. If you have any concerns, please contact Everlight before using this product in your application. This specification guarantees the quality and performance of the product as an individual component. Do not use this product beyond the specification described in this document.

## DISCLAIMER

1. EVERLIGHT reserves the right(s) on the adjustment of product material mix for the specification.
2. The product meets EVERLIGHT published specification for a period of twelve (12) months from date of shipment.
3. The graphs shown in this datasheet are representing typical data only and do not show guaranteed values.
4. When using this product, please observe the absolute maximum ratings and the instructions for using outlined in these specification sheets. EVERLIGHT assumes no responsibility for any damage resulting from the use of the product which does not comply with the absolute maximum ratings and the instructions included in these specification sheets.
5. These specification sheets include materials protected under copyright of EVERLIGHT. Reproduction in any form is prohibited without obtaining EVERLIGHT's prior consent.
6. This product is not intended to be used for military, aircraft, automotive, medical, life sustaining or life saving applications or any other application which can result in human injury or death. Please contact authorized Everlight sales agent for special application request.