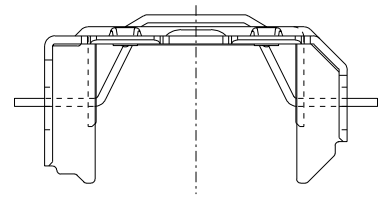
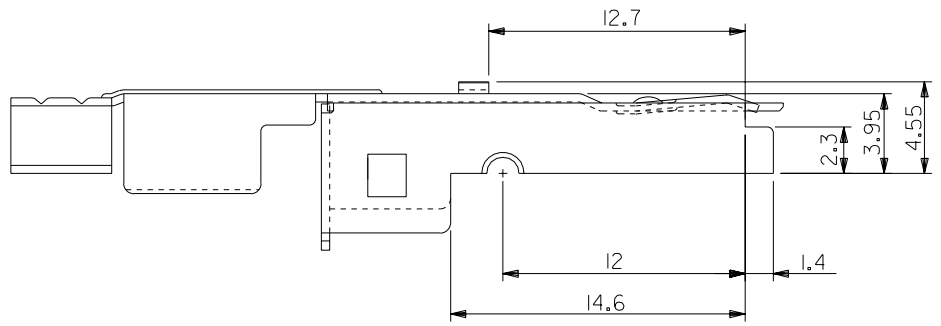
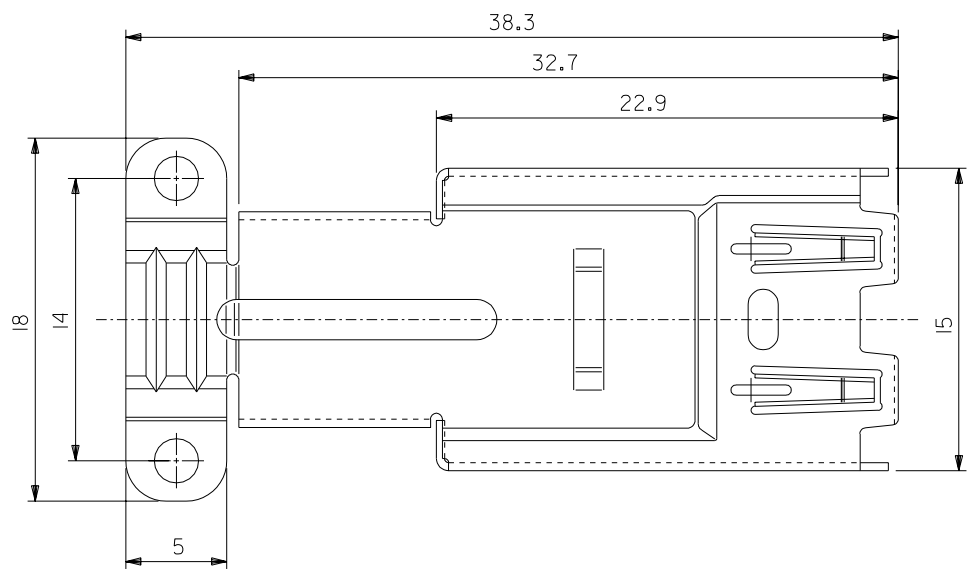


DWG. NO.
SD-58935-003



注記
NOTES

1. 材質 :りん青銅 t0.4
MATERIAL :PHOSPHOR BRONZE t0.4
2. メッキ仕様
PLATING
ニッケル下地、錫メッキ
NICKEL BASE , TIN PLATING
3. 適用ハウジング アッセンブリ : 55445-1019
APPLICABLE HOUSING ASS'Y : 55445-1019
4. 適用圧着ハウジング : 51209-1001
APPLICABLE CRIMP HOUSING : 51209-1001
5. シース外径 : φ 9 MAX.
SEATH O.D : φ 9 MAX.
6. 本製品は 58935-1000 の鉛フリー品である。
THIS PRODUCT IS LEAD FREE OF 58935-1000.

| | |
|---|---|
| 58935-1028 | 58935-10** |
| MATERIAL.NO | MODEL.NO |
| DIMENSIONS: | |
| <input type="checkbox"/> mm <input type="checkbox"/> INCH | <input checked="" type="checkbox"/> mm ONLY |
| SHT | REV |
| REVISE ON CAD ONLY | |

DO NOT SCALE DRAWING

| | | | | | | | | | | | | | | | |
|------------------------------------|----------------------------------|----------------------------------|----------------------------------|------------------------------------|--|-------------------------------------|--------------------------------------|---|----------------------------------|--|---------------------------|---|----------------------------------|-----------------------------|---------------------|
| EC NO. DRWN: CHK: APPR: | EC NO. DRWN: CHK: APPR: | EC NO. DRWN: CHK: APPR: | EC NO. DRWN: CHK: APPR: | EC NO. DRWN: CHK: APPR: | EC NO. J2004-3790 DRWN: M.NABEI CHK: K.TOJO APPR: M.SASAO | RELEASED 04/04/14 | MATERIAL 材料 注記参照 SEE NOTES. | GENERAL TOLERANCES: (UNLESS SPECIFIED) 一般公差 | SCALE 4-1 | DESIGN UNITS <input checked="" type="checkbox"/> mm <input type="checkbox"/> INCH | THIRD ANGLE PROJECTION | TITLE: 2.0 I/O PLUG SHELL COVER -LEAD FREE- | MATERIAL NO. SD-58935-003.S01 | DRAWING NO. SD-58935-003 | SHEET NO. 1 OF 1 |
| FINISH 仕上げ 注記参照 SEE NOTES | WIRE RANGE 適用電線範囲 — | ANGLE 角度 ±3° | 10 UNDER 未満 ±0.2 | 10 OVER 30 UNDER 以上 未満 ±0.25 | 30 OVER 以上 ±0.3 | DRAWN BY & DATE M.NABEI 04/04/14 | CHECKED BY & DATE K.TOJO 04/04/14 | APPROVED BY & DATE M.SASAO 04/04/14 | CAD FILENAME SD-58935-003.S01 | THIS DRAWING CONTAINS INFORMATION THAT IS PROPRIETARY TO MOLEX INCORPORATED AND SHOULD NOT BE USED WITHOUT WRITTEN PERMISSION. | SIZE B | | | | |

SD-58935-003.S01