

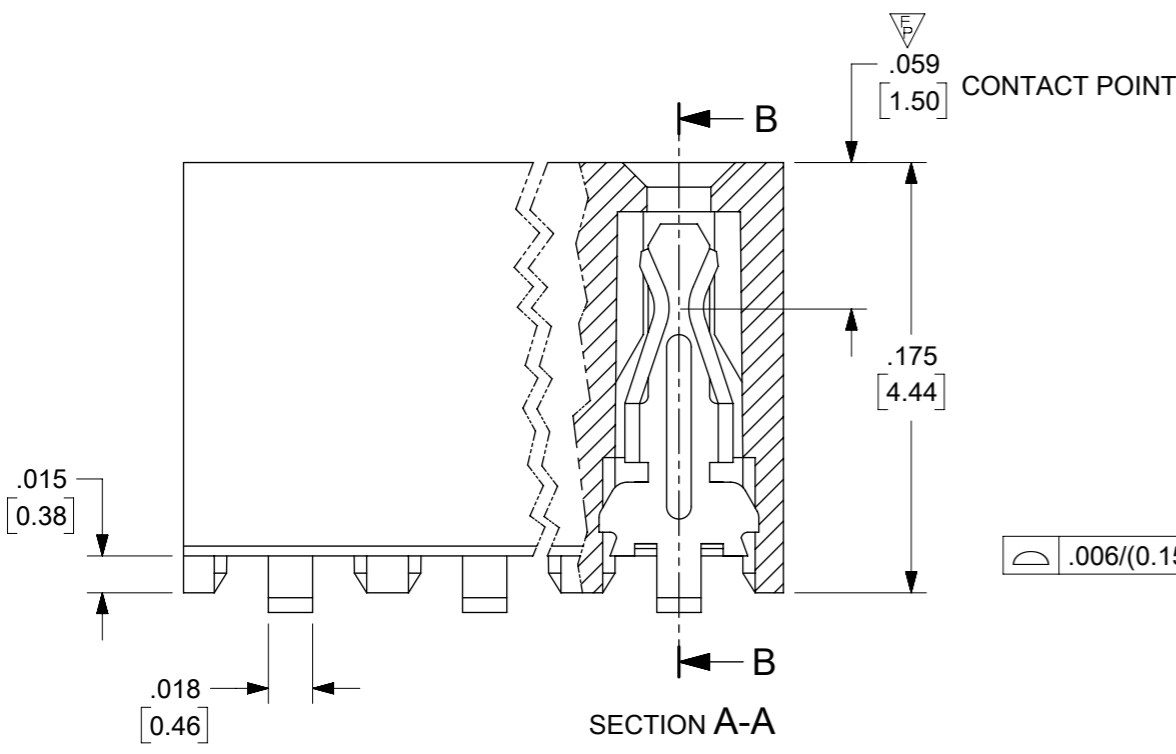
RECOMMENDED PCB PAD LAYOUT

NOTES:

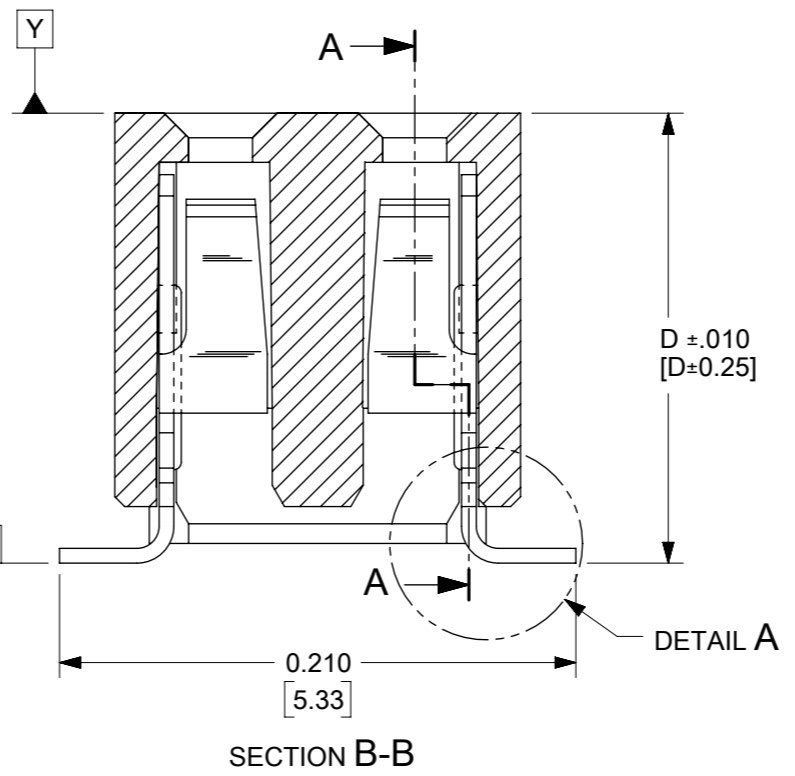
- HOUSING MATERIAL:  
LCP, GLASS FILLED, UL 94V-0  
COLOUR BLACK.
- TERMINAL MATERIAL:  
PHOSPHOR BRONZE
- SEE APPROPRIATE SHEET FOR CIRCUIT SIZE,  
PART NUMBERS AND OVERALL DIMENSIONS.
- 6 CKT WITHOUT CAP ASSY IS SHOWN FOR ILLUSTRATION ONLY.
- REFER TO PRODUCT SPEC PS-79107.
- TAPE PACKAGING PER PK-70873-0259
- CKT LOCATIONS ARE NUMBERED FROM LEFT TO  
RIGHT WHEN VIEWING ASSY FROM TOP WITH  
THE GATE RECESS ON THE RIGHT AS SHOWN.
- MEASUREMENT IS TAKEN BETWEEN THE TANGENT OF  
THE TOE TO TIP OF THE TERMINAL.

PLATING OPTION:

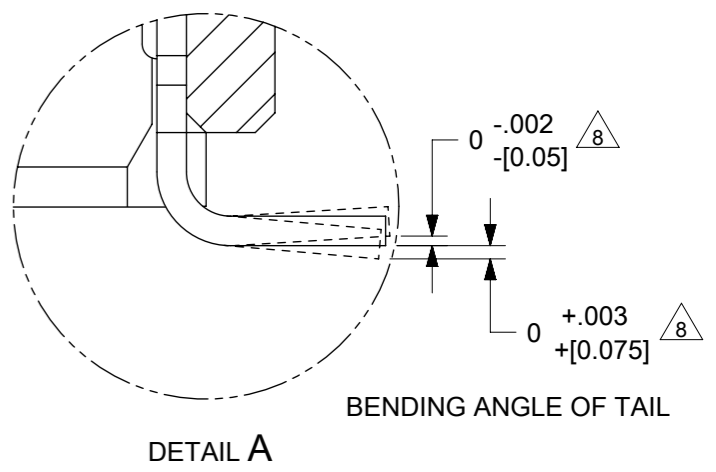
- 30µ" (0.75µm) MIN. GOLD PLATE IN SELECTED AREA AND  
75µ" (1.88µm) MIN. TIN PLATE IN SELECTED AREA OVER  
50µ" (1.25µm) MIN. NICKEL OVERALL.
- 15µ" (0.38µm) MIN. GOLD PLATE IN SELECTED AREA AND  
75µ" (1.88µm) MIN. TIN PLATE IN SELECTED AREA OVER  
50µ" (1.25µm) MIN. NICKEL OVERALL.
- 5µ" (0.13µm) MIN. GOLD PLATE IN SELECTED AREA AND  
75µ" (1.88µm) MIN. TIN PLATE IN SELECTED AREA OVER  
50µ" (1.25µm) MIN. NICKEL OVERALL.



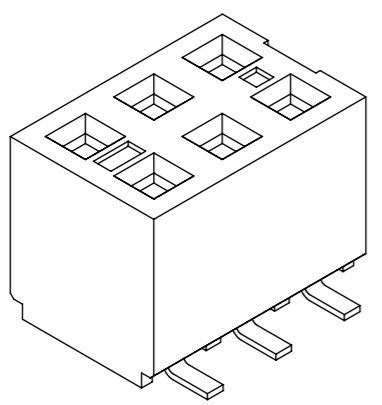
SECTION A-A



SECTION B-B

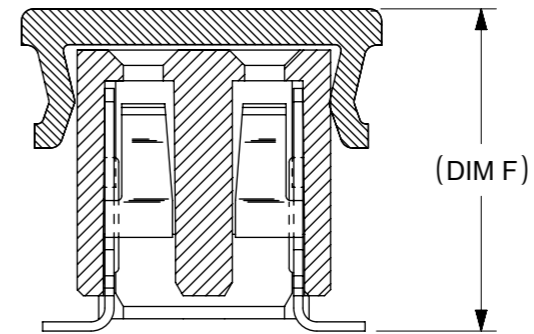
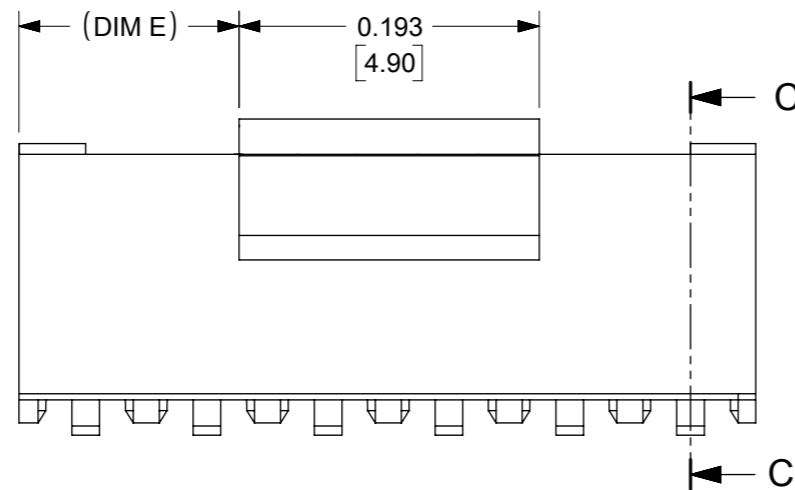
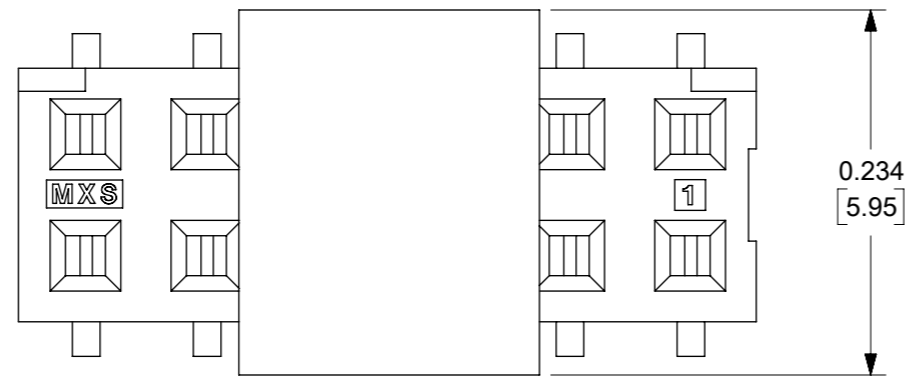


DETAIL A



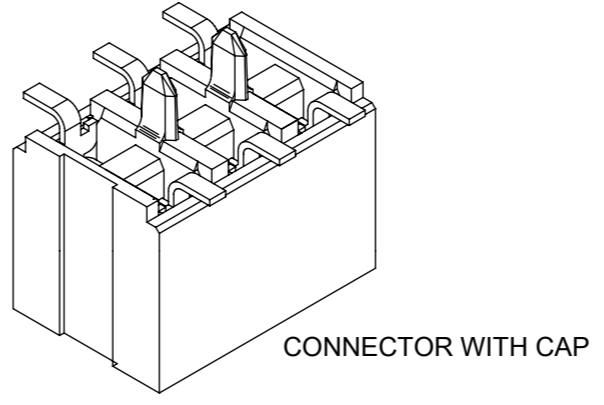
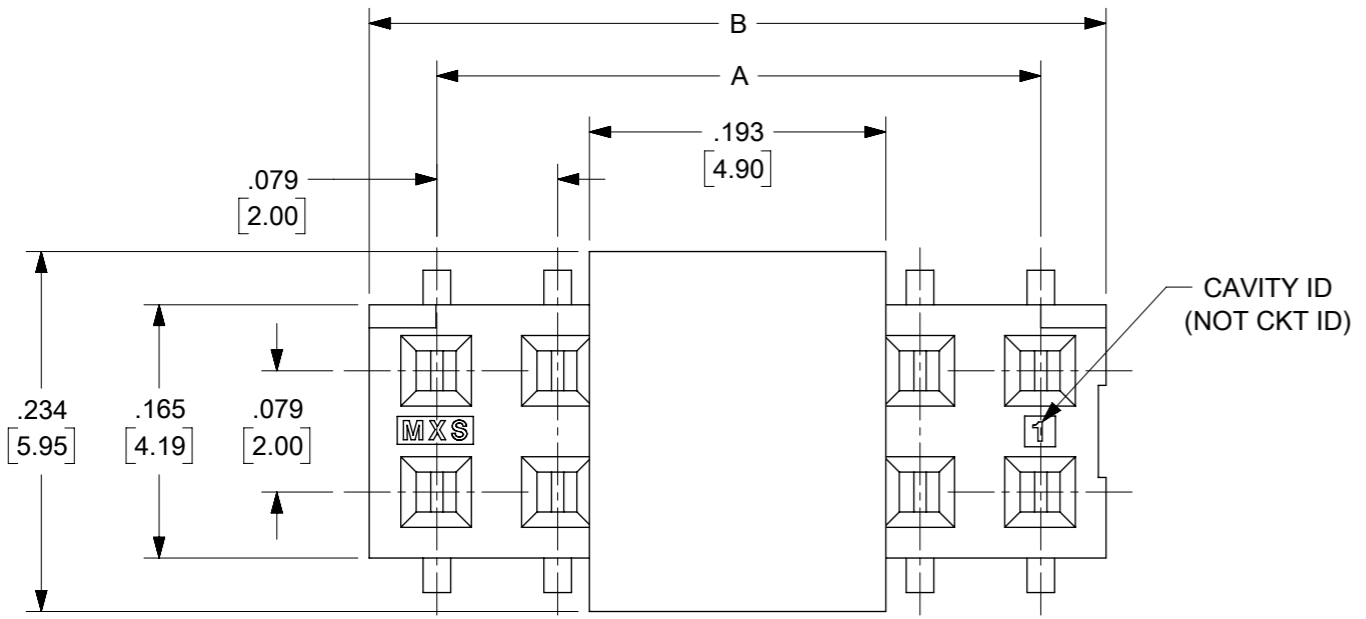
SYMBOLS	THIS DRAWING CONTAINS INFORMATION THAT IS PROPRIETARY TO MOLEX ELECTRONIC TECHNOLOGIES, LLC AND SHOULD NOT BE USED WITHOUT WRITTEN PERMISSION		CURRENT REV DESC:		
	DIMENSION UNITS SCALE GENERAL TOLERANCES (UNLESS SPECIFIED)	mm NTS	EC NO: 716564 DRWN: DANUSA 2022/08/02 CHK'D: DANUSA 2022/08/03 APPR: MRAMAKRISHNA 2022/08/03		
4 PLACES ± 3 PLACES ± 2 PLACES ± 1 PLACE ±	± 0.25 ± 0.015 ± 0.38	MM INCH	INITIAL REVISION: DRWN: DRWN BY APPR: APPR BY		PRODUCT CUSTOMER DRAWING
0 PLACES ± ANGULAR TOL ± 3.0°	± ± 3.0°	THIRD ANGLE PROJECTION DRAWING SERIES		DOCUMENT NUMBER SD-79109-006	DOC TYPE PSD
DRAFT WHERE APPLICABLE MUST REMAIN WITHIN DIMENSIONS	THIRD ANGLE PROJECTION 	DRAWING A3-SIZE	SERIES 79109	MATERIAL NUMBER CUSTOMER GENERAL MARKET	DOC PART 001
					REVISION A11
					SHEET NUMBER 1 OF 5

CKT. SIZE	DIM A		DIM B		DIM C		DIM D		DIM E		DIM F		ITEM No.	PLATING OPTION SEE SHEET 1
	INCH	MM	INCH	MM	INCH	MM	INCH	MM	INCH	MM	INCH	MM		
4	.079	(2.00)	.165	(4.19)	-	-	.183	(4.65)	-	-	.207	(5.25)	79109-9104	1
													79109-9504	2
8	.236	(6.00)	.322	(8.19)	-	-	.183	(4.65)	.065	(1.65)			79109-9208	2
10	.315	(8.00)	.401	(10.19)	-	-	.183	(4.65)	.104	(2.65)			79109-9210	2
12	.394	(10.00)	.480	(12.19)	-	-	.183	(4.65)	.144	(3.65)			79109-9212	2
14	.472	(12.00)	.559	(14.19)	-	-	.183	(4.65)	.183	(4.65)			79109-9214	2

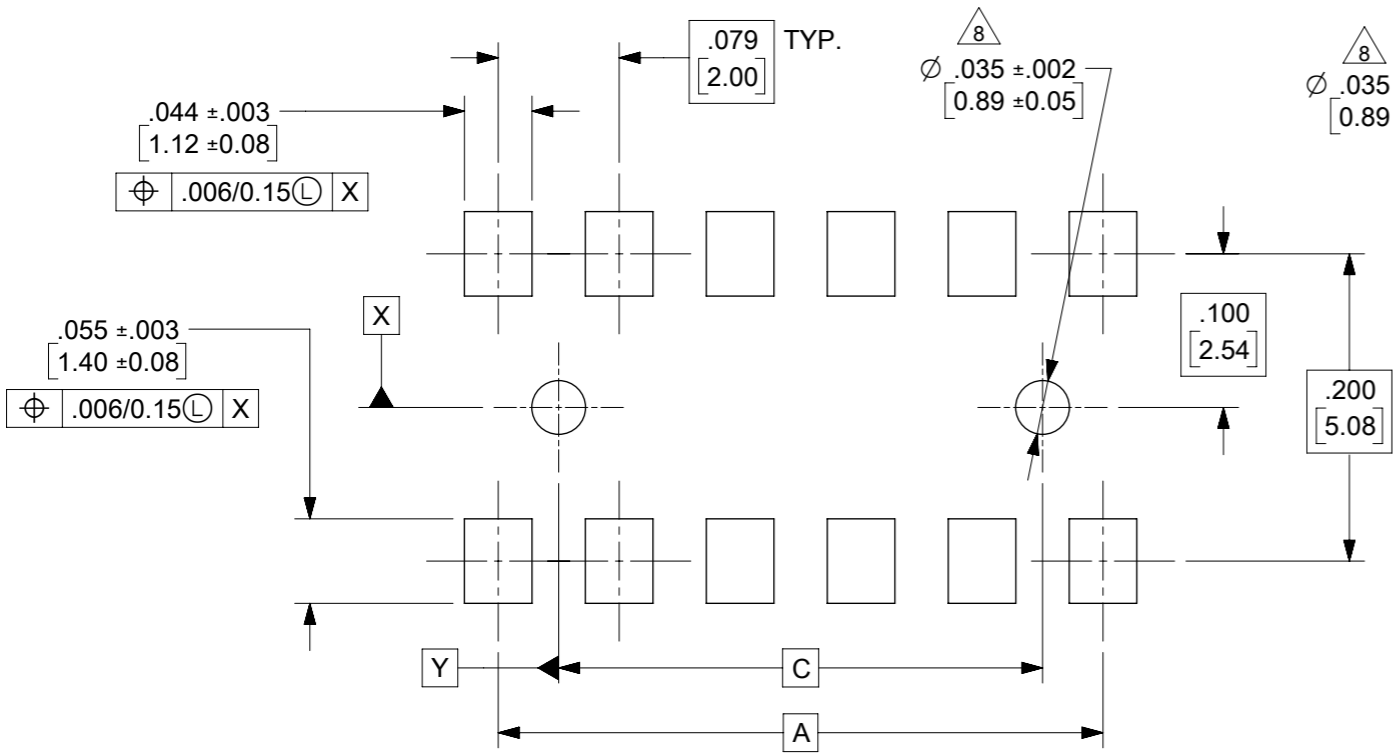
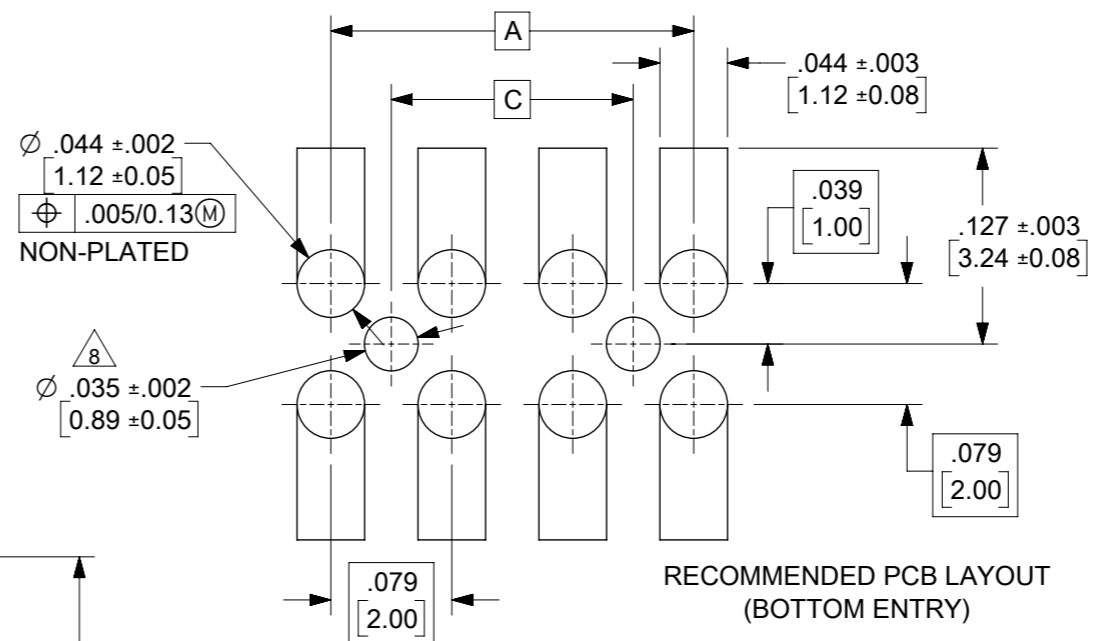
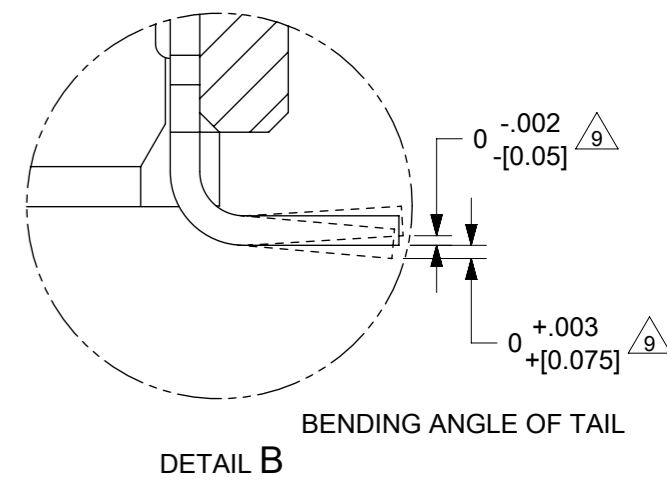
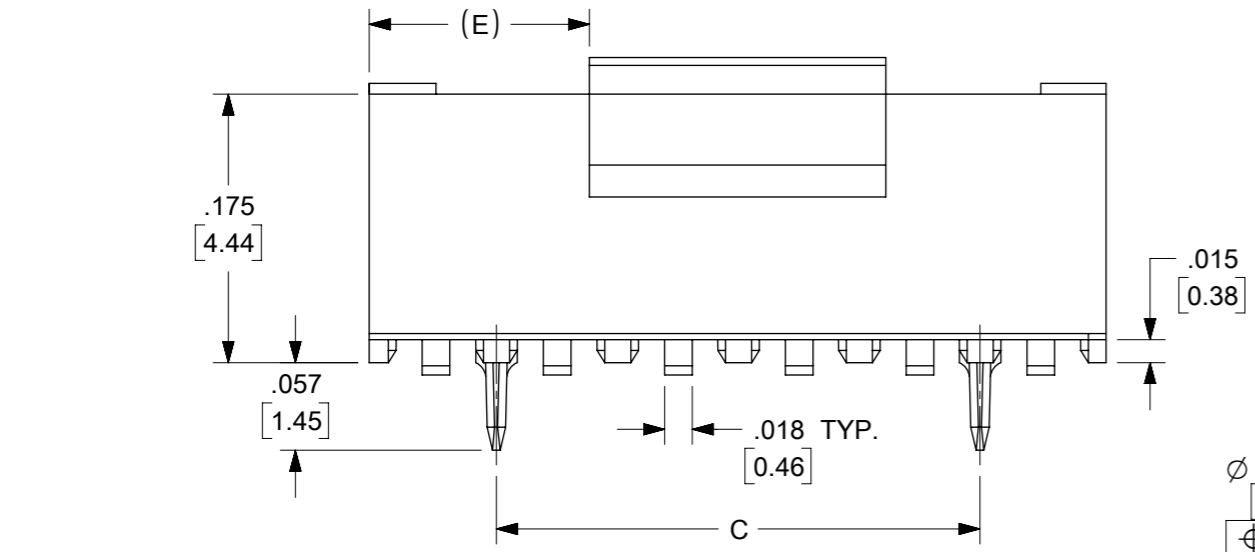
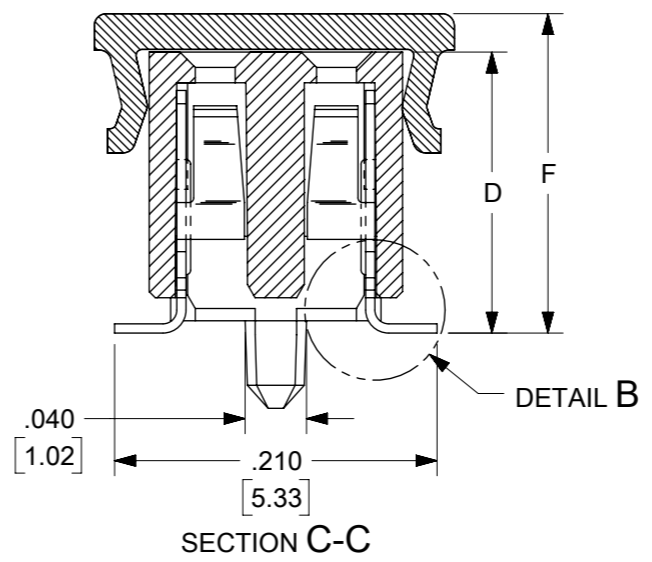


SECTION C-C

<b>SYMBOLS</b> = 0 = 0 = 0 = 0 = 0 = 0 = 0 = 0 = 0	THIS DRAWING CONTAINS INFORMATION THAT IS PROPRIETARY TO MOLEX ELECTRONIC TECHNOLOGIES, LLC AND SHOULD NOT BE USED WITHOUT WRITTEN PERMISSION		CURRENT REV DESC:		 2MM DUAL ROW VERTICAL RECEPTACLE, SMT																											
	DIMENSION UNITS: <b>mm</b> SCALE: <b>NTS</b> GENERAL TOLERANCES (UNLESS SPECIFIED)		EC NO: 716564						DOCUMENT NUMBER		DOC TYPE	DOC PART	REVISION																			
	<table border="1"> <tr> <th></th> <th>MM</th> <th>INCH</th> </tr> <tr> <td>4 PLACES ±</td> <td></td> <td></td> </tr> <tr> <td>3 PLACES ±</td> <td></td> <td>± 0.01</td> </tr> <tr> <td>2 PLACES ±</td> <td>± 0.25</td> <td>± 0.015</td> </tr> <tr> <td>1 PLACE ±</td> <td>± 0.38</td> <td></td> </tr> <tr> <td>0 PLACES ±</td> <td></td> <td></td> </tr> <tr> <td>ANGULAR TOL</td> <td colspan="2">± 3.0°</td> </tr> </table>			MM	INCH	4 PLACES ±			3 PLACES ±		± 0.01	2 PLACES ±	± 0.25	± 0.015	1 PLACE ±	± 0.38		0 PLACES ±			ANGULAR TOL	± 3.0°		DRWN: DANUSA    2022/08/02 CHK'D: DANUSA    2022/08/03 APPR: MRAMAKRISHNA    2022/08/03		INITIAL REVISION: DRWN: DRWN BY    XXXX/XX/XX APPR: APPR BY    XXXX/XX/XX		SD-79109-006		PSD	001	A11
		MM	INCH																													
	4 PLACES ±																															
	3 PLACES ±		± 0.01																													
2 PLACES ±	± 0.25	± 0.015																														
1 PLACE ±	± 0.38																															
0 PLACES ±																																
ANGULAR TOL	± 3.0°																															
DRAFT WHERE APPLICABLE MUST REMAIN WITHIN DIMENSIONS		THIRD ANGLE PROJECTION		DRAWING	SERIES	MATERIAL NUMBER	CUSTOMER		SHEET NUMBER																							
				A3-SIZE	79109		GENERAL MARKET		2 OF 5																							



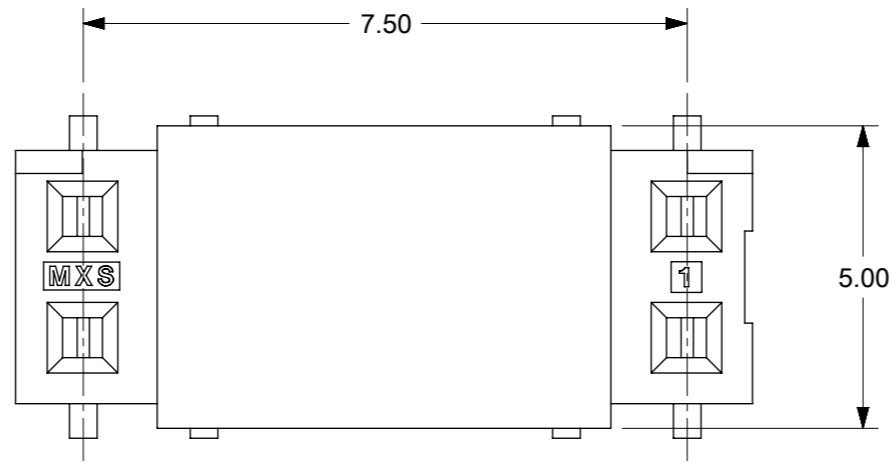
- NOTES:
- HOUSING MATERIAL : GLASS FILLED HIGH TEMP. THERMOPLASTIC. COLOR: BLACK.
  - TERMINAL MATERIAL: PHOSPHOR BRONZE
  - SEE APPROPRIATE SHEET FOR CIRCUIT SIZE, PART NUMBERS AND OVER-ALL DIMENSIONS.
  - FOR ILLUSTRATION, 6 & 12 CIRCUIT ASSEMBLY SHOWN.
  - REFER TO PRODUCT SPECIFICATION PS-79107.
  - TAPE PACKAGING PER PK-70873-0259.
  - SEE PSX-79107 FOR SUGGESTED BOTTOM ENTRY PIN LENGTHS.
  - .035 DIA. FOR PRESS FIT ONLY. USE .039±0.002 FOR ALIGNMENT PURPOSES ON PICK AND PLACE.
- △ MEASUREMENT IS TAKEN BETWEEN THE TANGENT OF THE TOE TO TIP OF THE TERMINAL.



SYMBOLS		THIS DRAWING CONTAINS INFORMATION THAT IS PROPRIETARY TO MOLEX ELECTRONIC TECHNOLOGIES, LLC AND SHOULD NOT BE USED WITHOUT WRITTEN PERMISSION		CURRENT REV DESC:		<b>molex</b>	
▽ = 0	mm	SCALE		EC NO: 716564			
▽ = 0	NTS	GENERAL TOLERANCES (UNLESS SPECIFIED)		DRWN: DANUSA 2022/08/02		2MM DUAL ROW VERTICAL RECEPTACLE, SMT	
▽ = 0	4 PLACES ±	MM	INCH	CHK'D: DANUSA 2022/08/03		PRODUCT CUSTOMER DRAWING	
▽ = 0	3 PLACES ±	± 0.01		APPR: MRAMAKRISHNA 2022/08/03		DOCUMENT NUMBER	
▽ = 0	2 PLACES ±	± 0.25 ± 0.015		INITIAL REVISION:		SD-79109-006	
▽ = 0	1 PLACE ±	0.38 ±		DRWN: DRWN BY XXXX/XX/XX		DOC TYPE DOC PART REVISION	
▽ = 0	0 PLACES ±			APPR: APPR BY XXXX/XX/XX		PSD 001 A11	
▽ = 0	ANGULAR TOL ± 3.0°			DRAFT WHERE APPLICABLE MUST REMAIN WITHIN DIMENSIONS		MATERIAL NUMBER	
▽ = 0				THIRD ANGLE PROJECTION		CUSTOMER	
▽ = 0				DRAWING		SHEET NUMBER	
▽ = 0				A3-SIZE		79109	
▽ = 0				SERIES		GENERAL MARKET	
▽ = 0				MATERIAL NUMBER		3 OF 5	

**PARTS WITH PEG**

CKT. SIZE	DIM A		DIM B		DIM C		DIM D		DIM E		DIM F		ITEM No.	ASSEMBLY P/N WITH KAPTON TAPE	PLATING OPTION SEE SHEET 1
	INCH	MM	INCH	MM	INCH	MM	INCH	MM	INCH	MM	INCH	MM			
A11 6	.157	(4.00)	.164	(4.19)	.078	(2.00)		(4.65)	--	--			79109-8625	-	2
8	.236	(6.00)	.322	(8.19)	.157	(4.00)	.183	(4.65)	.065	(1.65)			79109-9108	-	1
10	.315	(8.00)	.401	(10.19)	.236	(6.00)	.183	(4.65)	.104	(2.65)	.207	(5.25)	79109-9110	-	2
18	.630	(16.00)	.716	(18.19)	.551	(14.00)	.183	(4.65)	.262	(6.65)			79109-9118	79109-9318	1
26	.945	(24.00)	1.03	(26.19)	.866	(22.00)	.183	(4.65)	.419	(10.64)			79109-9126	-	2



12CKT WITH KAPTON TAPE ILLUSTRATION

SYMBOLS	THIS DRAWING CONTAINS INFORMATION THAT IS PROPRIETARY TO MOLEX ELECTRONIC TECHNOLOGIES, LLC AND SHOULD NOT BE USED WITHOUT WRITTEN PERMISSION		CURRENT REV DESC:						
	DIMENSION UNITS	SCALE						EC NO: 716564	DRWN: DANUSA 2022/08/02
▽ = 0	mm	NTS	GENERAL TOLERANCES (UNLESS SPECIFIED)			PRODUCT CUSTOMER DRAWING			
▽ = 0			4 PLACES ±	MM	INCH	DOCUMENT NUMBER			
▽ = 0			3 PLACES ±			SD-79109-006			
▽ = 0			2 PLACES ± 0.25 ± 0.015				DOC TYPE	DOC PART	REVISION
▽ = 0			1 PLACE ± 0.38 ±				PSD	001	A11
⊠ = 0			0 PLACES ±				INITIAL REVISION:		
⊠ = 0			ANGULAR TOL ± 3.0°				DRWN: DRWN BY XXXX/XX/XX		
⊠ = 0			DRAFT WHERE APPLICABLE MUST REMAIN WITHIN DIMENSIONS				APPR: APPR BY XXXX/XX/XX		
▽ = 0			THIRD ANGLE PROJECTION	DRAWING	SERIES	MATERIAL NUMBER	CUSTOMER	SHEET NUMBER	
				A3-SIZE	79109		GENERAL MARKET	4 OF 5	

# BOARD TO BOARD (BTB) DISTANCE

RECEPTACLE	MATES WITH(HEADER)	BTB DISTANCE	PICTORIAL VIEW
79109	87831	7.15	
	87832	8.35	
	151117	7.15	
	151118	8.35	

SYMBOLS	THIS DRAWING CONTAINS INFORMATION THAT IS PROPRIETARY TO MOLEX ELECTRONIC TECHNOLOGIES, LLC AND SHOULD NOT BE USED WITHOUT WRITTEN PERMISSION			
	DIMENSION UNITS		SCALE	
	mm		NTS	
	GENERAL TOLERANCES (UNLESS SPECIFIED)			
▽ = 0		MM	INCH	CURRENT REV DESC:  EC NO: 716564 DRWN: DANUSA 2022/08/02 CHK'D: DANUSA 2022/08/03 APPR: MRAMAKRISHNA 2022/08/03
▽ = 0	4 PLACES ±			
▽ = 0	3 PLACES ±		± 0.01	
▽ = 0	2 PLACES ±	0.25	± 0.015	
▽ = 0	1 PLACE ±	0.38		INITIAL REVISION:
☒ = 0	0 PLACES ±			DRWN: DRWN BY XXXX/XX/XX
■ = 0	ANGULAR TOL ± 3.0°			APPR: APPR BY XXXX/XX/XX
▽ = 0	DRAFT WHERE APPLICABLE MUST REMAIN WITHIN DIMENSIONS		THIRD ANGLE PROJECTION	DRAWING
				A3-SIZE

<b>molex</b>			
2MM DUAL ROW VERTICAL RECEPTACLE, SMT			
PRODUCT CUSTOMER DRAWING			
DOCUMENT NUMBER	DOC TYPE	DOC PART	REVISION
SD-79109-006	PSD	001	A11
MATERIAL NUMBER	CUSTOMER	SHEET NUMBER	
	GENERAL MARKET	5 OF 5	