

| MATERIAL NO. | ENGINEERING NO. | FINISHED LENGTH |
|--------------|-----------------|------------------|
| 1300060219 | 103000A01F0302 | 3 FT. (0.91 M) |
| 1300060256 | 103000A01F4002 | 40 FT. (12.19 M) |
| 1300062250 | 103000A01F8002 | 80 FT. (24.38 M) |

CABLE LENGTH TOLERANCES

<.3M [1FT]: +19mm-0 [+.75in-0]

.3 - .9M [1 - 3FT]: +44.5mm-0 [+1.75in-0]

.9 - 1.8M [3 - 6FT]: +55.6mm-0 [+2.19in-0]

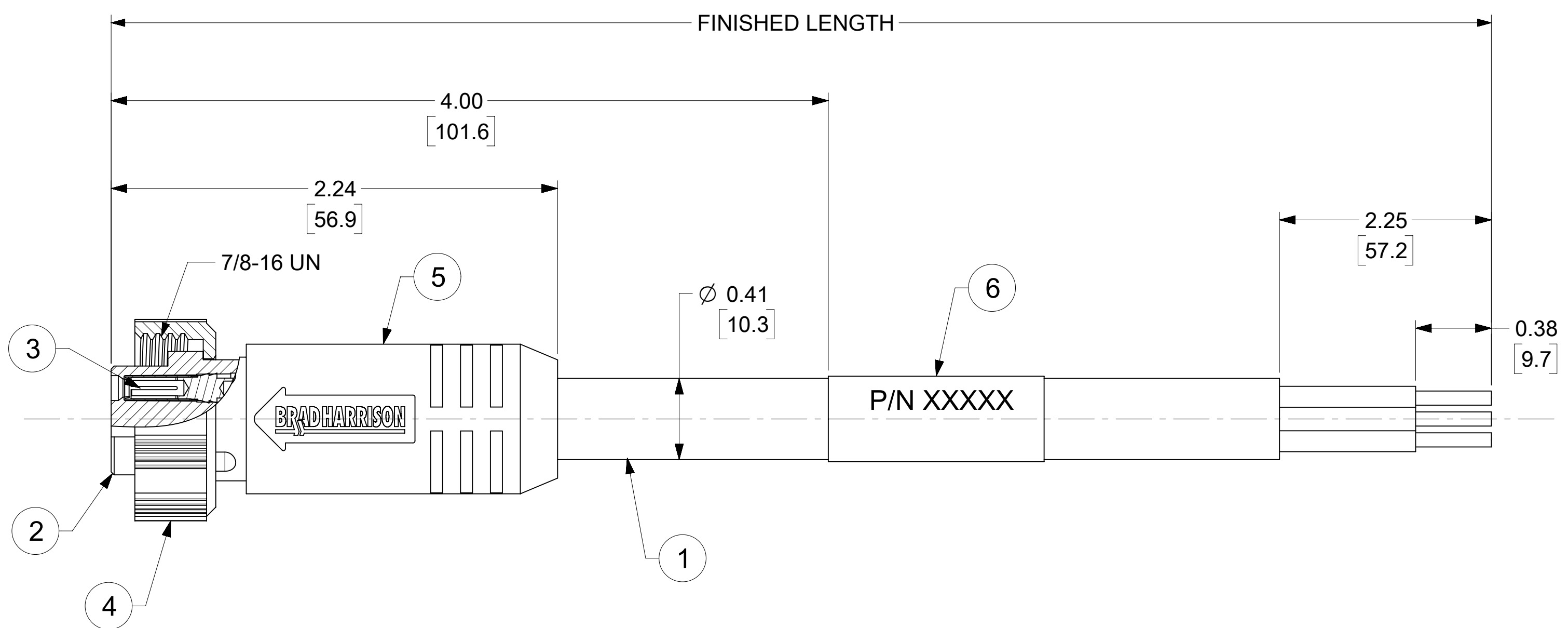
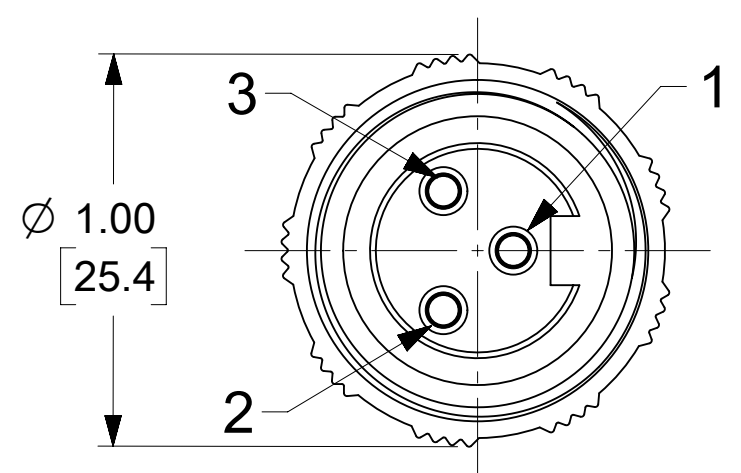
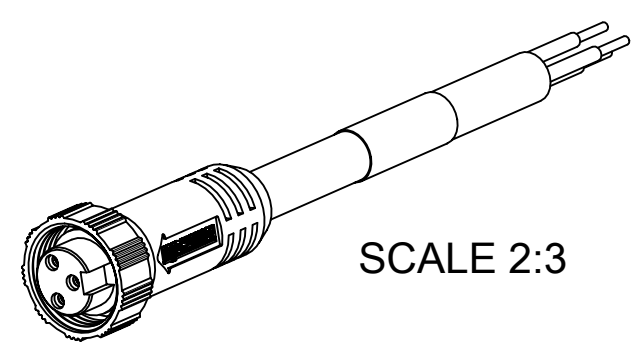
1.8 - 3.7M [6 - 12FT]: +88.9mm-0 [+3.50in-0]

3.7 - 7.3M [12 - 24FT]: +165.1mm-0 [+6.50in-0]

7.3-14.6M [24 - 48FT]: +317.5mm-0 [+12.50in-0]

14.6 - 30.5M [48-100FT]: +622.3mm-0 [+24.50in-0]

OVER 30M [100FT] +2% OF FINISHED LENGTH



- NOTES:**
- MATERIAL: AS NOTED
 - FINISH: AS NOTED
 - ELECTRICAL:
 - VOLTAGE: 500V PER IEC60664 (B)
 - 600V PER UL2238
 - CURRENT: 13A
 - TEMP RATING: -20°C TO +105°C (B)
 - PROTECTION: IP67 (WHEN MATED)
 - CSA CERTIFIED FILE: LR6837 (B)
 - UL RECOGNIZED FILE: E152210
 - ASSEMBLY IS ROHS COMPLIANT
 - ALL DIMS ARE FOR REFERENCE UNLESS TOLERANCED OR NOTED OTHERWISE

WIRING DIAGRAM

| | |
|---|--------------|
| 1 | GREEN/YELLOW |
| 2 | BLACK |
| 3 | WHITE |

PART NUMBER MATRIX (B)

103000A01F0602

FINISHED LENGTH
 F001= .1 FT
 F020= 2 FT
 F200= 20 FT

| ITEM | DESCRIPTION | MATERIAL | FINISH |
|------|-----------------------|------------|------------------|
| 6 | WRAP LABEL | VINYL | BLACK/YELLOW |
| 5 | OVERMOLD | TPE | YELLOW |
| 4 | COUPLING NUT | NYLON | GRAY |
| 3 | SOCKET CONTACT | Cu ALLOY | GOLD OVER NICKEL |
| 2 | FEMALE INSERT | TPE | YELLOW |
| 1 | #16-3 YELLOW STOOV/ST | PVC JACKET | YELLOW |

| | | | | |
|--|---|------------------------|---|---------------------------|
| FUNCTIONAL SYMBOLS | THIS DRAWING CONTAINS INFORMATION THAT IS PROPRIETARY TO MOLEX ELECTRONIC TECHNOLOGIES, LLC AND SHOULD NOT BE USED WITHOUT WRITTEN PERMISSION | | | |
| | DIMENSION UNITS | SCALE | CURRENT REV DESC: UPDATED ITEM #2, 5 & DIA. ADDED CSA, UL, IEC VOLT & TEMP. TOL. CHART & PART NO. MATRIX. MODIFIED PN CHART | |
| | INCH/MM | 2:1 | EC NO: 673727 | |
| | GENERAL TOLERANCES (UNLESS SPECIFIED) | | DRWN: VHANDI 2021/05/21 | |
| DIVISIONAL SYMBOLS | 4 PLACES | ± | ± | CHK'D: RSTONE 2021/08/25 |
| | 3 PLACES | ± | ± | APPR: BWOODMAN 2021/08/27 |
| | 2 PLACES | ± | ± 0.01 | INITIAL REVISION: |
| | 1 PLACE | ± 0.3 | ± | DRWN: RSTONE 2012/11/28 |
| 0 PLACES | ± | ± | APPR: JFMURPHY 2013/03/01 | |
| ANGULAR TOL ± 2.0 ° | | THIRD ANGLE PROJECTION | | |
| DRAFT WHERE APPLICABLE MUST REMAIN WITHIN DIMENSIONS | | DRAWING | SERIES | MATERIAL NUMBER |
| | | C-SIZE | 130006 | SEE TABLE |

| | | |
|--------------------------|--------------|----------|
| PRODUCT CUSTOMER DRAWING | | |
| DOCUMENT NUMBER | DOC TYPE | DOC PART |
| SD-130006-047 | PSD | 001 |
| CUSTOMER | SHEET NUMBER | |
| GENERAL MARKET | 1 OF 1 | |