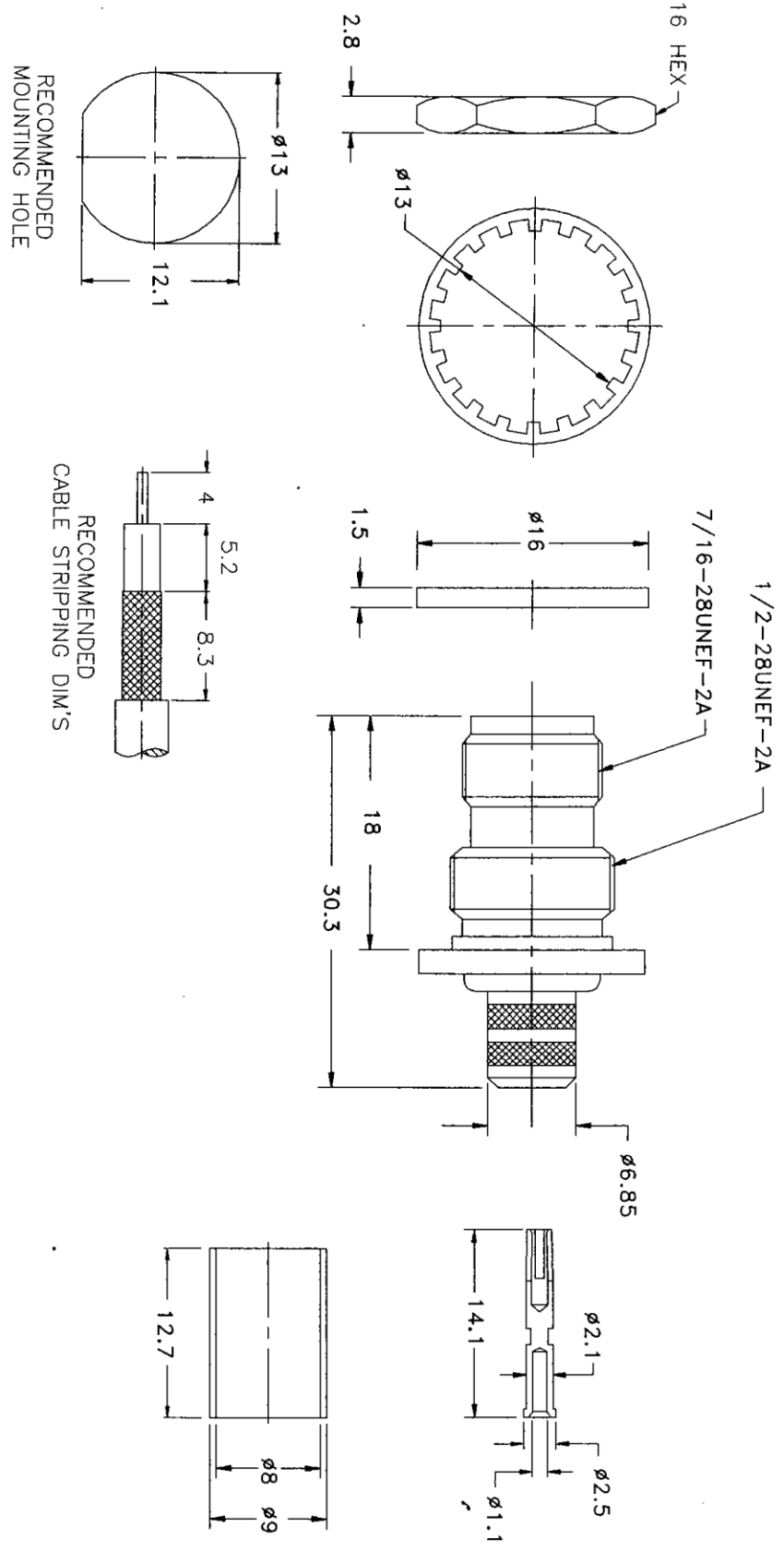


REV.	DATE	DESCRIPTION
NC	11/22/96	INITIAL RELEASE



DESCRIPTION	MATERIAL	FINISH	DIMENSIONS ARE IN MILLIMETERS UNLESS OTHERWISE SPECIFIED TOLERANCES ARE:		APPROVALS	DATE	TITLE	SCALE	PART NO.	DWG. NO.	SHEET	REV.
1 BODY	BRASS	NICKEL	0.5-6 = ± 0.2		DRAWN	11/22/96	TNC BULKHEAD CRIMP JACK - RG 6/U	A	99001	122382	1	NC
2 INSULATOR	TEFLON	NATURAL	6-30 = ± 0.4		CHECKED		Connector Corporation					
3 CONTACT PIN	BRASS	GOLD	30-120 = ± 0.6		ISSUED							
4			120-315 = ± 1									
5			315-1000 = ± 1.6									
6			1000-2000 = ± 2.4									
7												
8												



TITLE: TNC BULKHEAD CRIMP JACK - RG 6/U

SCALE: 2:1
 PART NO.: 122382
 SHEET: 1 OF 1