

W57M- ① ② ③ ④ ⑤

SWITCH FUNCTION CODE	SWITCH FUNCTION DESCRIPTION
E	MECHANICAL, MOMENTARY, SOLDER TERMINAL
F	MECHANICAL, MAINTAIN, SOLDER TERMINAL
G	MECHANICAL, MOMENTARY, P.C. TERMINAL
H	MECHANICAL, MAINTAIN, P.C. TERMINAL

HOUSING MATERIAL CODE	HOUSING DESCRIPTION
1	ZINC ALLOY, VELOUR CHROME PLATED
2	ZINC ALLOY, MIRROR BLACK
3	ZINC ALLOY, MATT BLACK
4	STAINLESS STEEL, NATURAL

BUTTON TYPE CODE	BUTTON TYPE DESCRIPTION
1	CENTER SPOT ILLUMINATION
2	RING ILLUMINATION
3	POWER/STANDBY SYMBOL ILLUMINATION
4	HIGH BUTTON NON-ILLUMINATION

1. VELOUR CHROME / MATT BLACK / STAINLESS STEEL BUTTON SUPPLY FOR:
RING ILL. / POWER ILL.
2. MIRROR BLACK BUTTON SUPPLY FOR:
CENTER SPOT ILL.

LED COLOR CODE	LED COLOR
R	RED
A	AMBER
Y	YELLOW
B	BLUE
G	GREEN
W	WHITE
RB	RED/BLUE
RG	RED/GREEN

LED INLET VOLTAGE CODE	LED INLET VOLTAGE
IF BLANK*	FOLLOW LED SPECIFICATION
05	5V (SEE NOTE3)

MECHANICAL CHARACTERISTICS:
 SWITCH CIRCUITRY: SPST-NO-DB (CONTACT FORM X)
 SWITCH ACTION: MOMENTARY/MAINTAINED (PER CHART)
 BUTTON TRAVEL: .090 [2.3mm] NOMINAL
 OPERATING FORCE: 3N [306g] NOMINAL
 CONTACT BOUNCE: 1ms NOMINAL
 PANEL THICKNESS: .020 - .236 [0.5 - 6.0mm]
 SWITCH CONTACTS: GOLD PLATED
 NUT TORQUE FORCE: MAX 10 LB/in[11.5 kgf/cm]

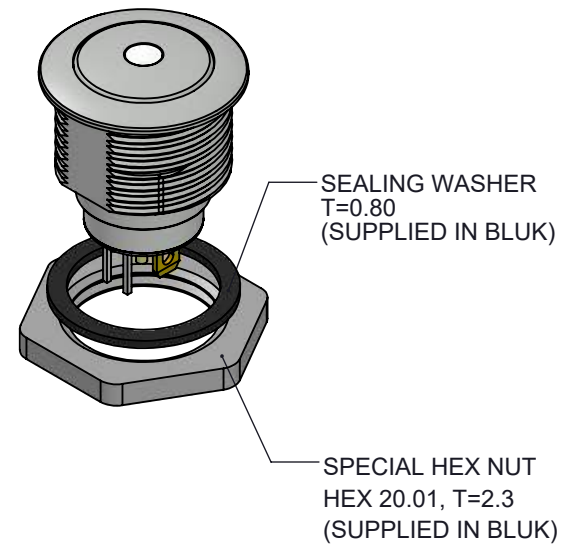
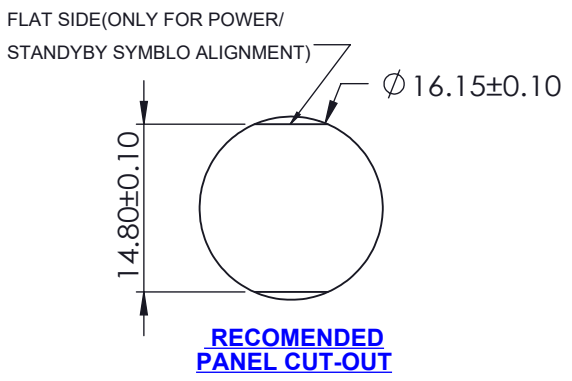
ENVIRONMENTAL SPECIFICATIONS:
 ACTUATOR INGRESS PROTECTION: IP67

OPERATING TEMPERATURE:
 MOMENTARY TYPE: -40°F to +185°F [-40°C to +85°C]
 MAINTAINED TYPE: -13°F to +185°F [-25°C to +85°C]

ELECTRICAL SPECIFICATIONS:
 MOMENTARY: 10mA@12VDC, 1,000K CYCLES NOMINAL
 MAINTAINED : 50K CYCLES NOMINAL

DIELECTRIC STRENGTH: 1,000VAC
 INSULATION RESISTANCE: 1G OHM
 CONTACT RESISTANCE:
 50m MAX INITIAL
 LED SPECIFICATIONS:
 SEE LED SPECIFICATION

NOTE
 1. CURRENT LIMITING RESISTOR IS REQUIRED TO LIMIT LED FORWARD CURRENT TO 20mA
 2. SUPPLY HEX NUT AND SEALING WASHER BULK PACKED
 3. INNER RESISTOR ONLY FOR LED :RED / BLUE / GREEN / WHITE.

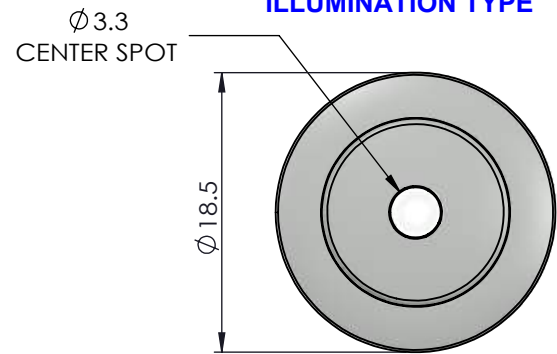


LED SPECIFICATION					
LED CODE	LED SINGLE COLOR	Vf(VDC)	If (mA)	CIRCUITRY	
		TYP.			
R	RED	2.0	20		
A	AMBER	2.0	20		
Y	YELLOW	2.0	20		
G	GREEN	3.0	20		
B	BLUE	3.1	20		
W	WHITE	3.3	20		
LED CODE	BICOLOR LED		Vf(VDC)		If (mA)
	COLOR1	COLOR2	TYP.		
RB	RED	BLUE	2.0(RED) 3.3(BLUE)	20	
RG	RED	GREEN	2.0(RED) 3.4(GREEN)	20	

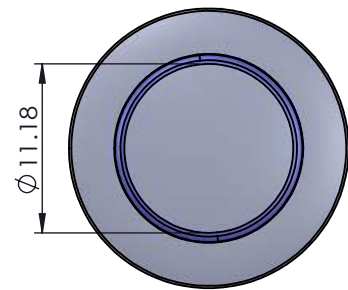
Notes:
 Hand Soldering Temperature (4mm above from Body) : 320°C for 3 seconds

DWG TYPE SALES DRAWING	DRAWN <i>K.Y.</i>	TOLERANCES: UNLESS OTHERWISE NOTED X.X ± 0.5 X.XX ± 0.2 ANGULAR ± 1°	DWG TITLE W57M-MECHANICAL MOMENTARY, MAINTAIN, CENTER SPOT/ POWER STANDBY SYMBOL ILLUMINATION		
STATUS RELEASE	REVIEW <i>A.H.</i>	THIRD ANGLE PROJECTION 	DWG NO. W57M-EFGH		
<small>This document is the intellectual property of ITW Electronic Business Asia Co., Limited and may contain confidential, proprietary, privileged information protected by law. Neither this document nor any information it contains can be reproduced, transformed to any other format, or distributed, without written permission by ITW Electronic Business Asia Co., Limited. 本文作為安達維百電有限公司之智慧財產，非經許可不得翻取、複製、轉變成其他形式使用或散佈。</small>		DATE 2017/12/29	REF: 57M-1,2,5,6,A,B	<input checked="" type="checkbox"/> 管制文件 <input type="checkbox"/> 非管制文件	
Unit mm	SCALE 3:2	REV 2	RoHS Compliant	SHEET 1 OF 3	

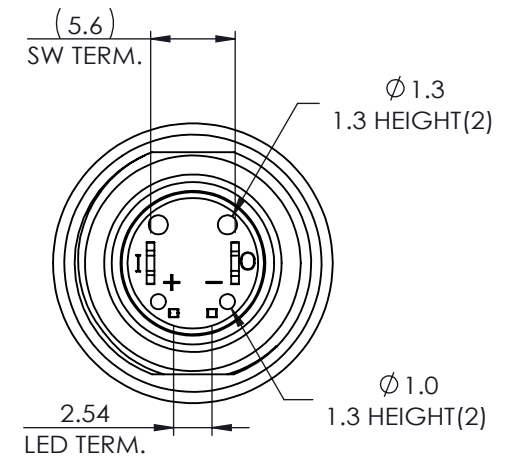
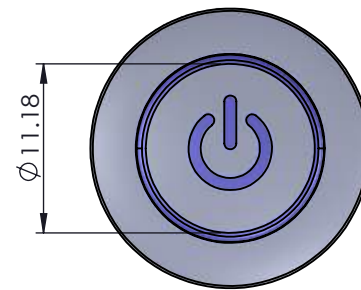
CENTER SPOT ILLUMINATION TYPE



RING ILLUMINATION TYPE

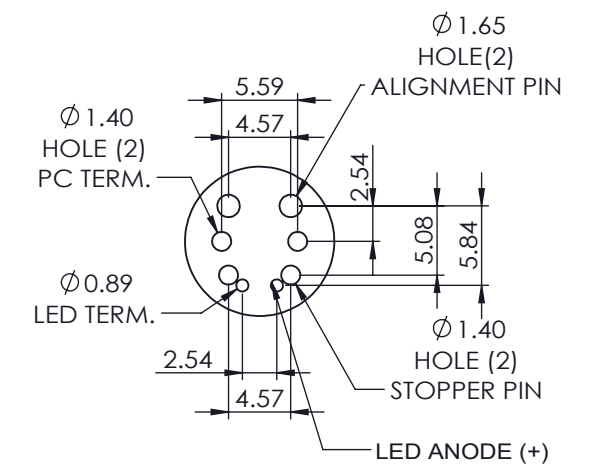
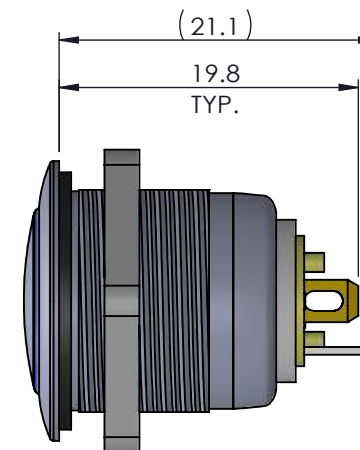
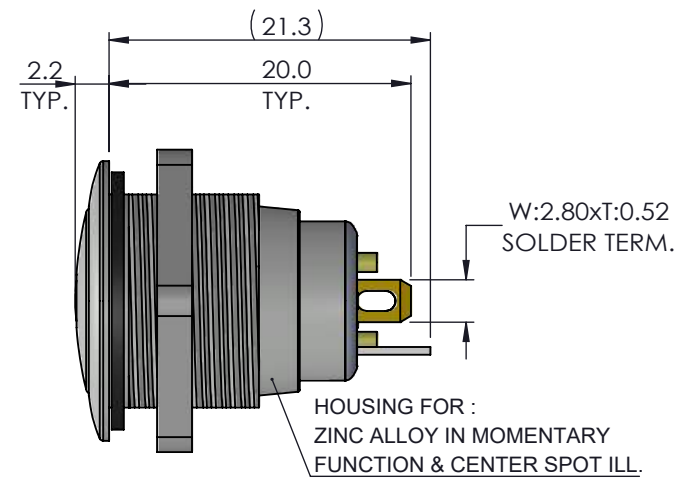


POWER ILLUMINATION TYPE



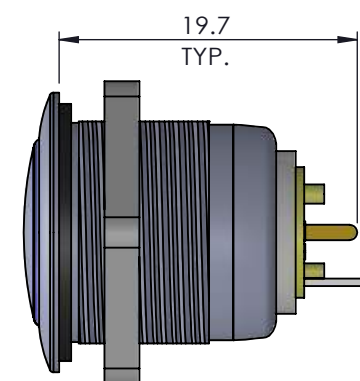
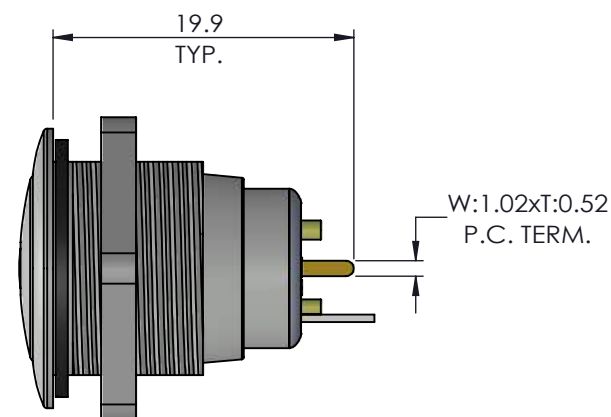
DETAIL FOR TERMINAL POSITION

SOLDER TERMINALS



RECOMMENDED P.C. BOARD HOLE PATTERN (FOR PC TERMINAL) COMPONENT SIDE

P.C. TERMINALS



DWG TYPE SALES DRAWING	DRAWN <i>K.Y.</i>	TOLERANCES: UNLESS OTHERWISE NOTED X.X ± 0.5 X.XX ± 0.2 ANGULAR ± 1°	DWG TITLE W57M-MECHANICAL MOMENTARY, MAINTAIN, CENTER SPOT/ POWER STANDBY SYMBOL ILLUMINATION							
STATUS RELEASE	REVIEW <i>a.h.</i>	THIRD ANGLE PROJECTION 	DWG NO. W57M-EFGH							
<small>This document is the intellectual property of ITW Electronic Business Asia Co., Limited and may contain confidential, proprietary, privileged information protected by law. Neither this document nor any information it contains can be reproduced, transformed to any other format, or distributed, without written permission by ITW Electronic Business Asia Co., Limited. 本文作為安泰維百電股份有限公司之智慧財產，非經許可不得翻取、複製、轉變成其他形式使用或散佈。</small>			DATE 2017/12/29	REF: 57M-1,2,5,6,A,B	<input checked="" type="checkbox"/> 管制文件 <input type="checkbox"/> 非管制文件	Unit mm	SCALE 3:2	REV 2	RoHS Compliant	SHEET 2 OF 3