



SPECIFICATION FOR REFERENCE

Customer. _____

Description. EST MOTOR (Energy Saving Technology Motor)

Part No. _____ REV. _____

Delta Model No. MR83AUPE-104S10 REV. 00

Sample Issue No. _____

Sample Issue Date. Nov.28 2019

PLEASE SEND ONE COPY OF THIS SPECIFICATION BACK
AFTER YOU SIGNED APPROVAL FOR PRODUCTION PRE-
ARRANGMENT.

APPROVED BY:

DATE :

DELTA ELECTRONICS, INC.
TAOYUAN PLANT
252, SHANGYING ROAD, GUISHAN INDUSTRIAL ZONE,
TAOYUAN CITY 33341, TAIWAN
TEL:886-(0)3-3591968
FAX:886-(0)3-3591991

DELTA ELECTRONICS, INC.

252, SHANGYING ROAD, GUISHAN INDUSTRIAL ZONE,
TAOYUAN CITY 33341, TAIWAN

TEL : 886-(0)3-3591968
FAX : 886-(0)3-3591991

STATEMENT OF DEVIATION

NONE

DESCRIPTION :

DELTA ELECTRONICS, INC.

252, SHANGYING ROAD, GUISHAN INDUSTRIAL ZONE,
TAOYUAN CITY 33341, TAIWAN

TEL : 886-(0)3-3591968

FAX : 886-(0)3-3591991

SPECIFICATION FOR REFERENCE

Customer:

Description: EST MOTOR (Energy Saving Technology Motor)

Customer P/N: REV:

Delta Model NO.: MR83AUPE-104S10 Delta Safety Model No: MR83AUPE-10

Sample Rev: 00 Issue NO:

Sample Issue Date: Nov.28 2019 Quantity:

1. SCOPE:

THIS SPECIFICATION DEFINES THE ELECTRICAL AND MECHANICAL CHARACTERISTICS OF THE AC TO DC BRUSHLESS MOTOR.

2. CHARACTERS:

UNLESS SPECIFIED, ALL READINGS AND TESTS ARE BASED ON 25°C, 65% RH.

| ITEM | DESCRIPTION |
|-------------------------------|--|
| NOMINAL VOLTAGE (VAC) | 115/230 VAC (50/60Hz) |
| NOMINAL VOLTAGE RANGE | 100 - 240 VAC |
| MOTOR LOADING | 13.0W TYP. |
| INPUT POWER @230VAC(FREE AIR) | Aluminum impeller ϕ 230, 28°, t=0.7mm |
| INPUT POWER (MAX. LOAD) | 25W MAX. |
| OUTPUT POWER (MAX. LOAD) | 15W MAX. |
| RATED SPEED | 1300±10% R.P.M. |
| INSULATION TYPE | UL: CLASS B |
| | |

(continued)

PART NO:

DELTA MODEL: MR83AUPE-104S10

| | |
|---------------------|---|
| DIELECTRIC STRENGTH | 5 mA MAX. AT 1500 VAC 50/60 Hz ONE MINUTE, (BETWEEN FRAME AND (+) TERMINAL) |
| ROTATION | CLOCKWISE VIEW FROM NAME PLATE SIDE |
| LEAD WIRE | UL SVT 18AWG/2C(105°C) -LF- BLUE WIRE (N) BROWN WIRE (L) |
| SAFETY | UL/cUL, CE, TUV, ATEX |

3. RECOMMENDED IMPELLERS : (Aluminum impeller)

| IMPELLER DIAMETER | 22° | 28° | 34° |
|-------------------|-----|-----|-----|
| ø154mm | ✓ | ✓ | ✓ |
| ø172mm | ✓ | ✓ | ✓ |
| ø200mm | ✓ | ✓ | ✓ |
| ø230mm | ✓ | ✓ | ✓ |
| ø254mm | ✓ | ✓ | ✓ |
| ø300mm | | | |

PART NO:

DELTA MODEL: MR83AUPE-104S10

4. MECHANICAL:

- 4-1. DIMENSIONS _____ SEE DIMENSIONS DRAWING
- 4-2. HOUSING _____ PLASTIC UL: 94V-0
- 4-3. BEARING SYSTEM _____ 2 BALL BEARING
- 4-4. WEIGHT _____ 0.63 KILOGRAMS (REF.)
- 4-5. INGRESS PROTECTION LEVEL _____ IP-54

5. ENVIRONMENTAL:

- 5-1. OPERATING TEMPERATURE _____ -40 TO +55 DEGREE C
- 5-2. STORAGE TEMPERATURE _____ -40 TO +85 DEGREE C
- 5-3. OPERATING HUMIDITY _____ 5 TO 90 % RH
- 5-4. STORAGE HUMIDITY _____ 5 TO 95 % RH

6. PROTECTION:

- 6-1. LOCKED ROTOR PROTECTION
- 6-2. OVER POWER PROTECTION
- 6-3. MOTOR OVER TEMP. PROTECTION

7. RE OZONE DEPLETING SUBSTANCES:

- 7-1. NO CONTAINING PBBs, PBBOs, CFCs, PBBEs, PBDPEs AND HCFCs.

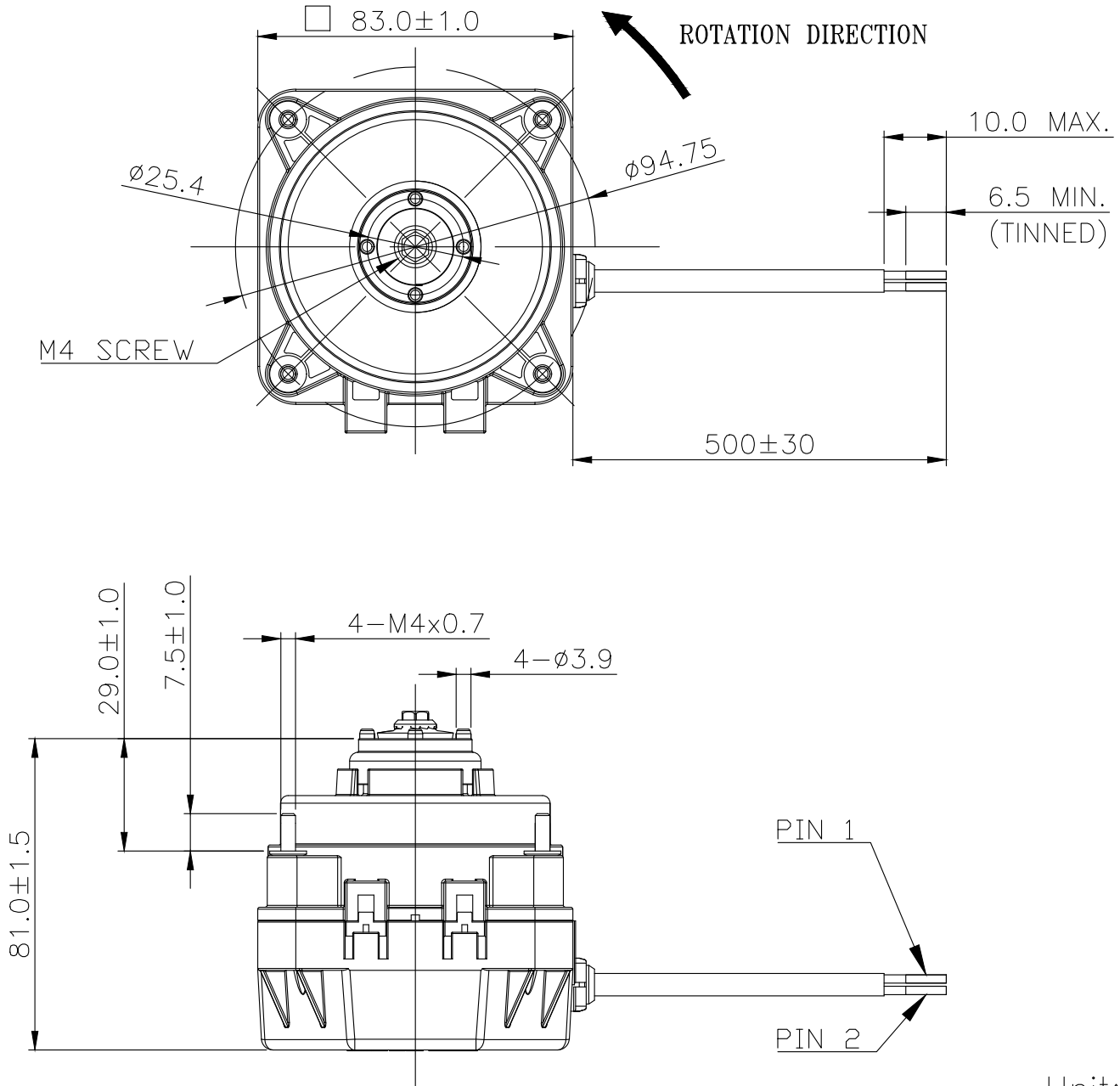
8. PRODUCTION LOCATION

- 8-1. PRODUCTS WILL BE PRODUCED IN CHINA.

PART NO:

DELTA MODEL: MR83AUPE-104S10

9. DIMENSION DRAWING:



Unit: mm

- NOTES: 1. THIS PRODUCT IS RoHS COMPLIANT
2. UL SVT 18AWG/2C(105°C) -LF-
PIN1: BLUE WIRE (N)
PIN2: BROWN WIRE (L)

PART NO:

DELTA MODEL: MR83AUPE-104S10

10. LABEL:

LABEL 1: Safety Mark

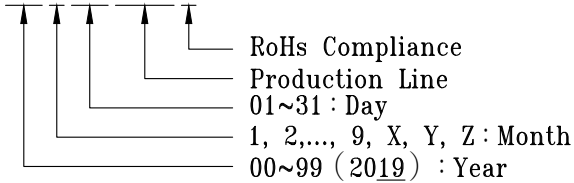


Date Code Definition :

Date : 2019/11/28

Production Line : F91

1 9 Y 2 8 F 9 1 F



LABEL 2: CE request address label (Optional by shipping region)

EU Contact Address :

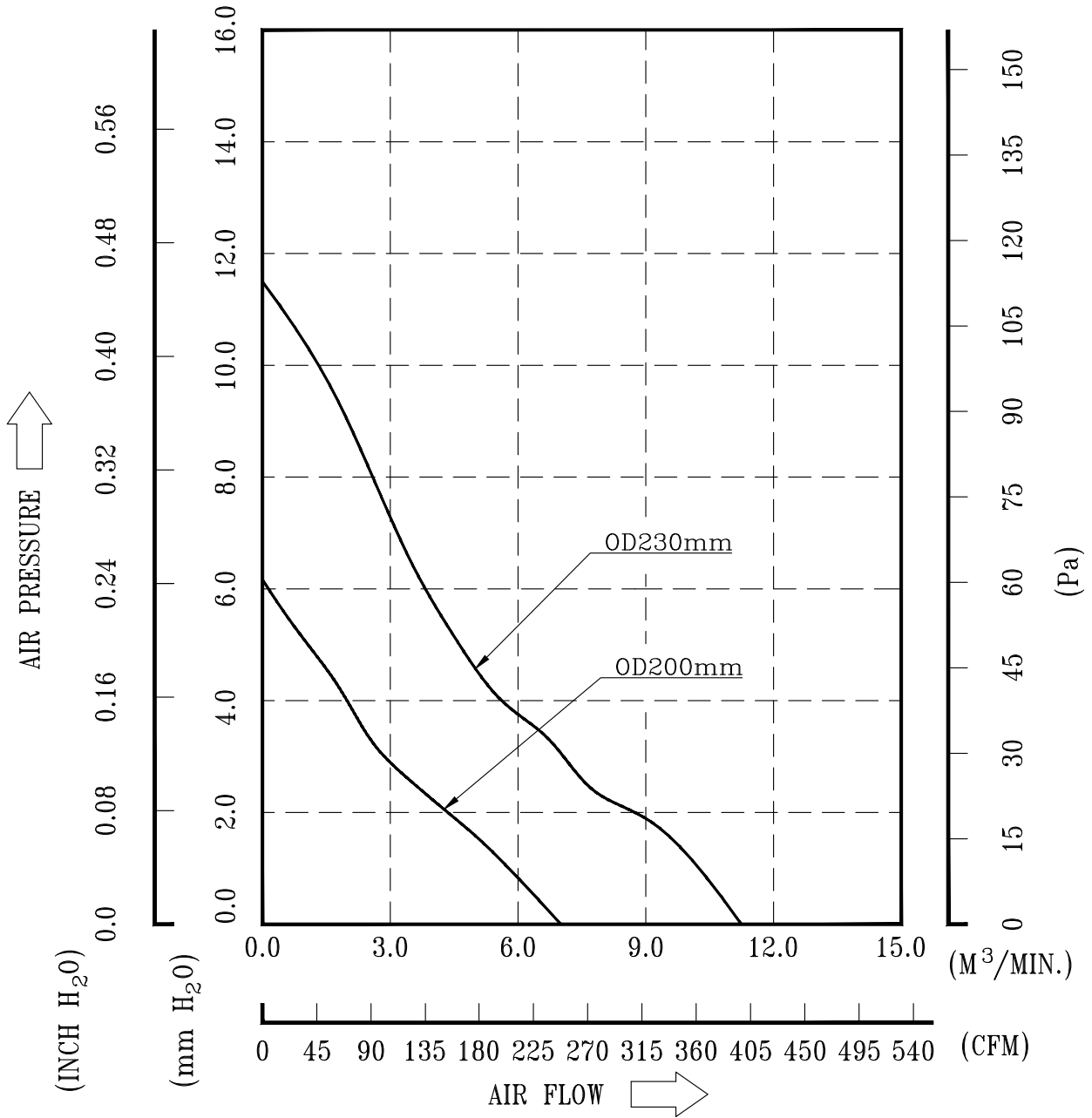
Delta Electronics (Netherlands) BV
Zandsteen 15, 2132 MZ Hoofddorp, The Netherlands

PART NO:

DELTA MODEL: MR83AUPE-104S10

11. P & Q CURVE:

Aluminum impeller 28°, t=0.7mm



* TEST CONDITION: INPUT VOLTAGE ——— 230 VAC 50Hz
TEMPERATURE ——— ROOM TEMPERATURE
HUMIDITY ——— 65%RH



Application Notice

1. Delta will not guarantee the performance of the products if the application condition falls outside the parameters forth in the specification.
2. A written request should be Submitted to Delta prior to approval if deviation from the specification is required.
3. Please exercise caution when handling fans. Damage may be caused then pressure is applied to the impeller, if the fans are handled by the lead wires, or if the fan was hard-dropped to the production floor.
4. Except as pertains to some special designs, there is no guarantee that the products will be free from any such safety problems or failures as caused by the introduction of powder, droplets of water or encroachment of insect into the hub.
5. The above-mentioned conditions are representative of some unique examples and viewed as the first point of reference prior to all other information.
6. Delta fans without special protection are not suitable where any corrosive fluids are introduced to their environment.
7. Please ensure all fans are stored according to the storage temperature limits specified. Do not store fans in a high humidity environment. We highly recommend performance testing is conducted before shipping, if the fans have been stored over 6 months.
8. Not all fans are provide with the Lock Rotor Protection feature. If you impair the rotation of the impeller for the fans that do not have this function, the performance of those fans will lead to failure.
9. Please be cautions when mounting the fan. Incorrect mounting of fans may cause excess resonance, vibration and subsequent noise.
10. It is important to consider safety then testing the fans. A suitable fan guard should be fitted to the fan to guard against any potential for personal injury.
11. Except where specifically stated, all tests are carried out at room (ambient) temperature and relative humidity conditions of 25°C , 65% RH. The test value is only for fan performance itself.