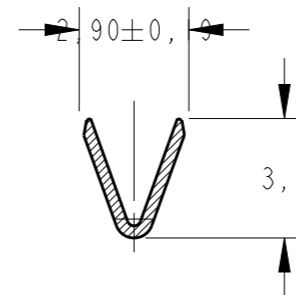
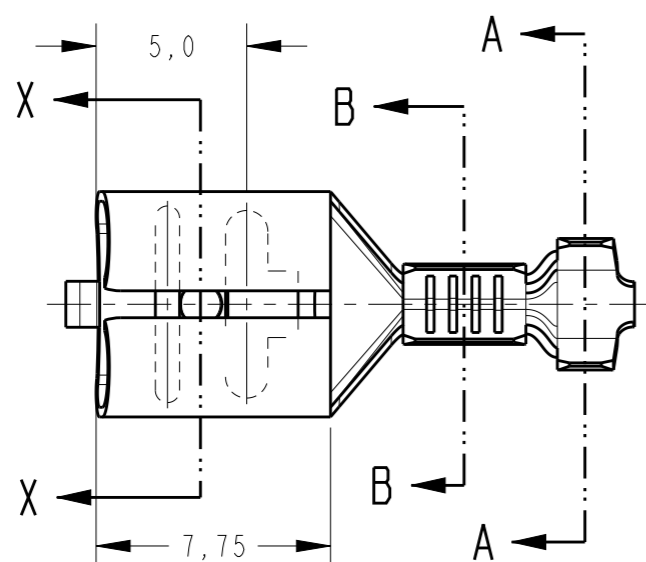


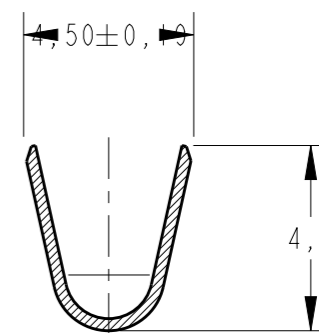
LOC	DIST
AP	-

REVISIONS

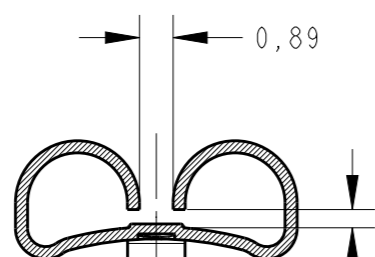
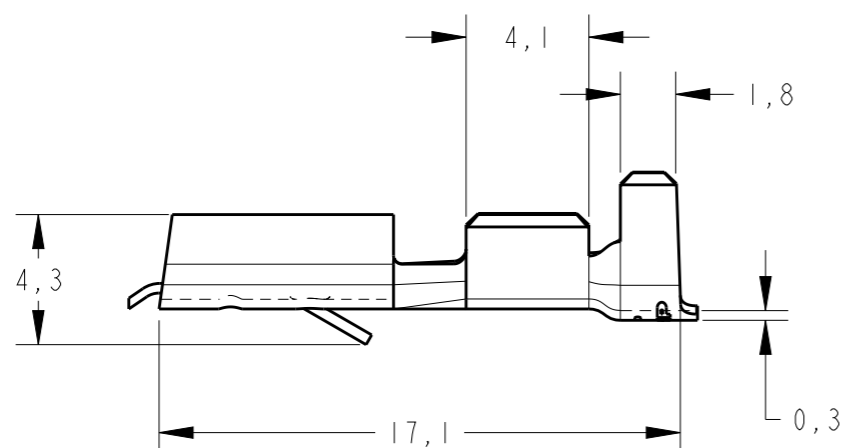
P	LTR	DESCRIPTION	DATE	DWN	APVD
J2		REDRAW BY CAD ECO-12-014149	27AUG2012	NCL	DAO
J3		REVISED BY ECO 16-003725	23JUN2016	HC	WLS



SECTION B-B  
SCALE 5:1

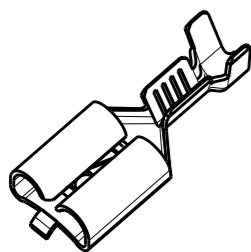


SECTION A-A  
SCALE 5:1



SECTION X-X  
SCALE 5:1

PARA LINGUETA  
DE 0,8mm ESPESSURA



PERSPECTIVE VIEW  
SCALE 2:1

FINISH	MATERIAL	PART NUMBER
—	BRONZE FOSFOROSO	626094 -6
OBSOLETE PRATEADO	LATÃO / BRASS	626094 -5
OBSOLETE ESTANHADO / TIN PLATED	LATÃO / BRASS	626094 -4
OBSOLETE —	BRONZE FOSFOROSO	626094 -3
ESTANHADO / TIN PLATED	LATÃO / BRASS	626094 -2
—	LATÃO / BRASS	626094 -1

INS. RANGE	WIRE RANGE
∅2,28-3,30mm	>0,50-1,00mm <sup>2</sup>

THIS DRAWING IS A CONTROLLED DOCUMENT.		DWN 12JUL2012 NCLAPRESA		TE Connectivity	
DIMENSIONS: mm		CHK 12JUL2012 JRGOLDSCHMIDT			
TOLERANCES UNLESS OTHERWISE SPECIFIED:		APVD 12JUL2012 DAO LIVEIRA		NAME	
0 PLC ±-		PRODUCT SPEC		- TERMINAL FASTIN-FASTON.250 RECEPT	
1 PLC ±0,3		APPLICATION SPEC		SIZE CAGE CODE DRAWING NO RESTRICTED TO	
2 PLC ±-		WEIGHT		A3 00779 C-626094 -	
3 PLC ±-		Customer Drawing		SCALE - SHEET 1 OF 1 REV J3	
4 PLC ±-					
ANGLES ±°					
FINISH					
MATERIAL SEE TABLE		FINISH SEE TABLE			