



Electrical specifications

Center frequency: 1270 MHz
1 dB Bandwidth: 1225-1315 MHz
Insertion loss @CF: ≤ 1.6 dB
Rejection 1: ≥ 3 dB@1325 MHz
Rejection 2: ≥ 10 dB@1335 MHz
Rejection 3: ≥ 20 dB@1356 MHz
Rejection 4: ≥ 30 dB@1372 MHz
Power handling: 5 Watts

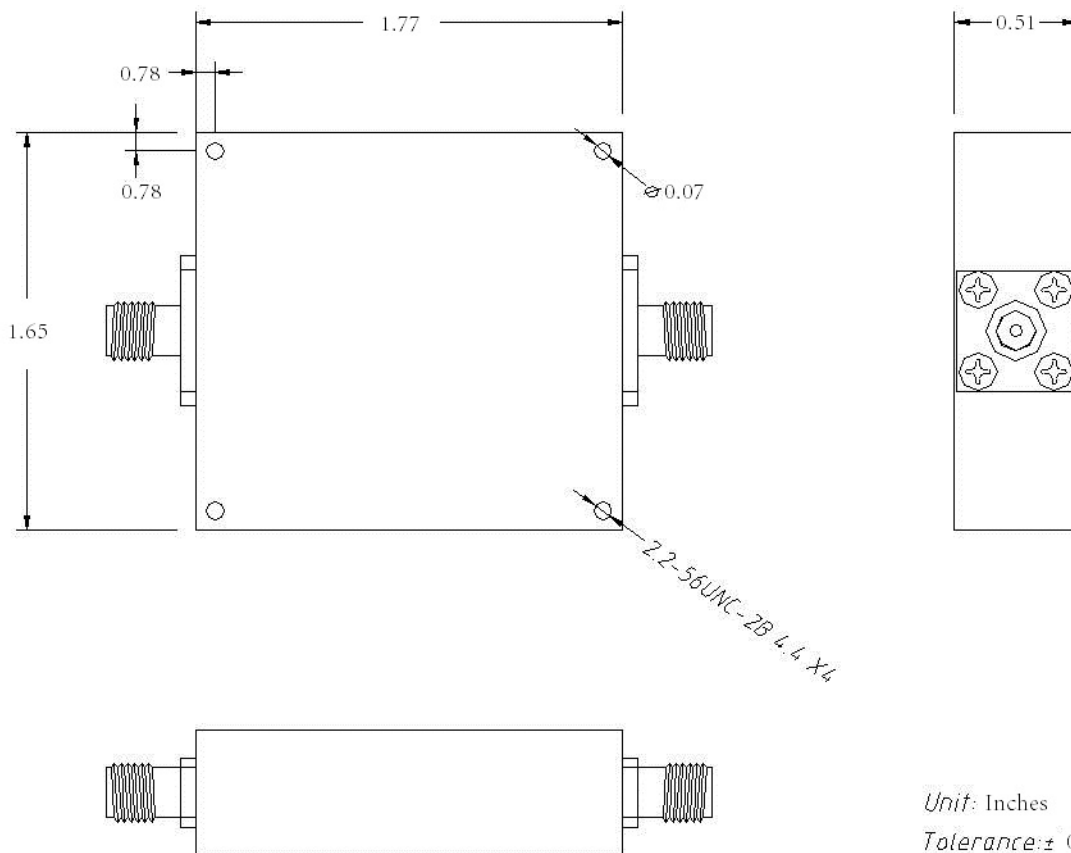
Mechanical

Mounting Method: 2-56 Threaded Mounting Holes
Connector Type: SMA Female
Dimensions: 1.77 x 1.65 x 0.51 Inches

Environmental

Operating Temperature: -45 to +85° C
Storage Temperature: -55 to +95° C
Shock: 20 G. 11ms
Vibration: 20 G. 5 to 200 MHz

Outline Drawing:



Unit: Inches
Tolerance: ± 0.01