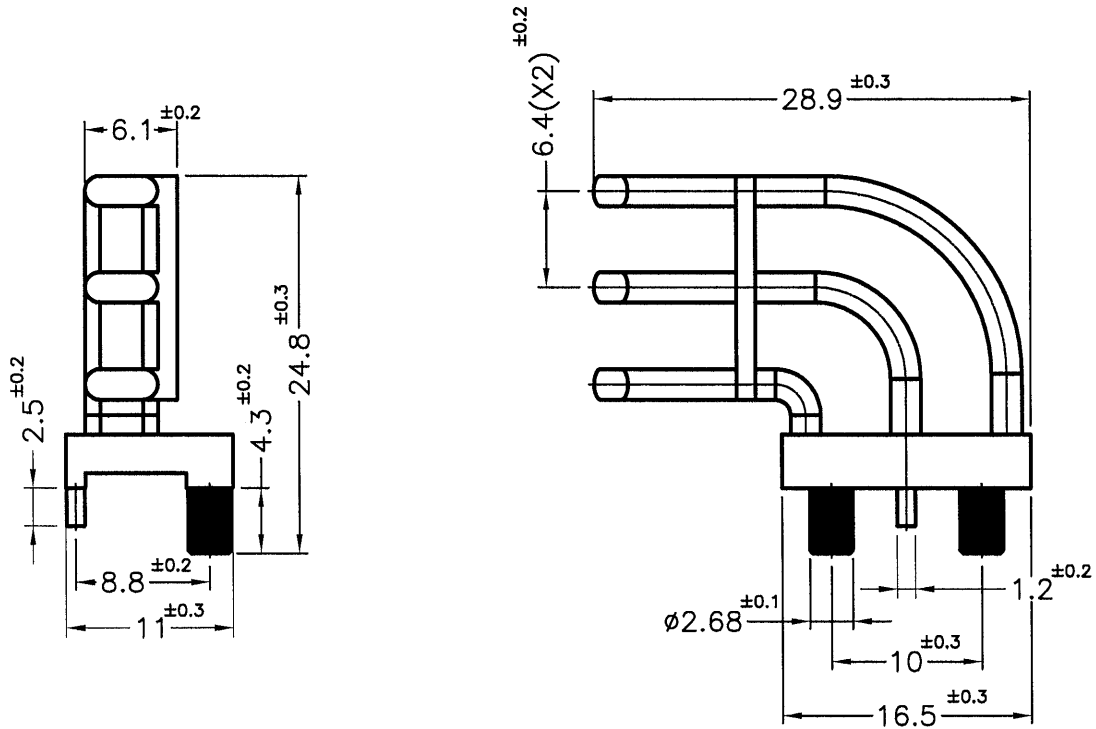
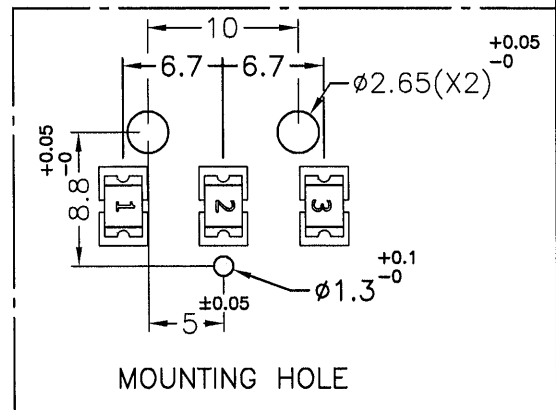





REVISIONS			
REV	DESCRIPTION	DATE	BY



PART NO.	MATERIAL
LPE3-7.8V0	PC UL94V-0
LPE3-7.8	PC UL94V-2

NOTE:MADE OF EQUIVALENT MATERIAL.  
均可使用同等材質.



 <b>康揚企業股份有限公司</b> KANG YANG HARDWARE ENTERPRISE CO., LTD. <b>康揚塑膠(東莞)有限公司</b> KANG YANG PLASTIC(DONG GUAN) CO.,LTD. <b>康哲電腦配件(吳江)有限公司</b> KANG CHE COMPUTER COMPONENTS(WUJIANG) CO.,LTD.				TITLE	LIGHT PIPE	SPEC. DWG.	
				MATERIAL	SEE ABOVE	DATE	2011.07.11
				FINISH		DRAWN	K.W
				COLOR	TRANSPARENT	CHECK	
PART NUMBER	SEE ABOVE	DRAWING NUMBER	LPE3-7.8	UNLESS OTHERWISE SPECIFIED TOLERANCE	SEE ABOVE	APPROVED	
SIZE	A4	SCALE	2:1	UNIT	mm	REV	A