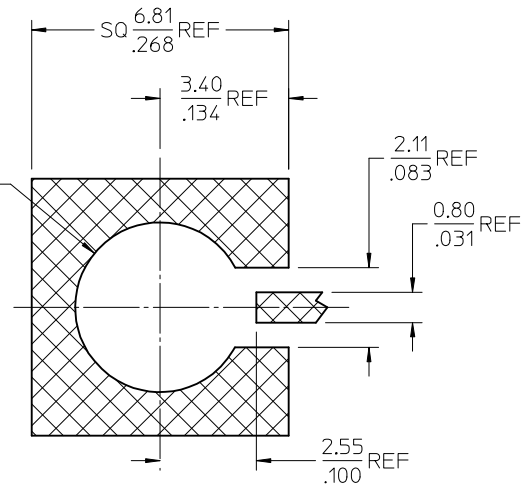
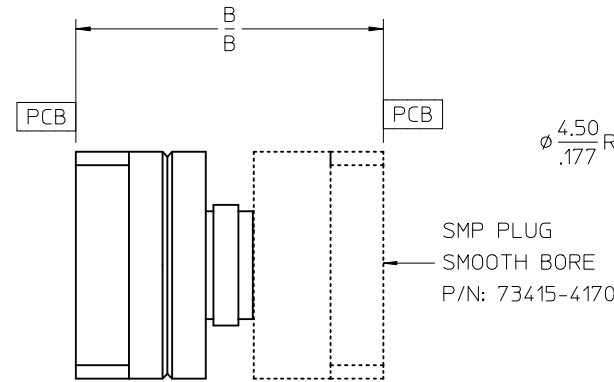
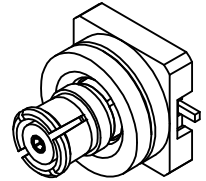
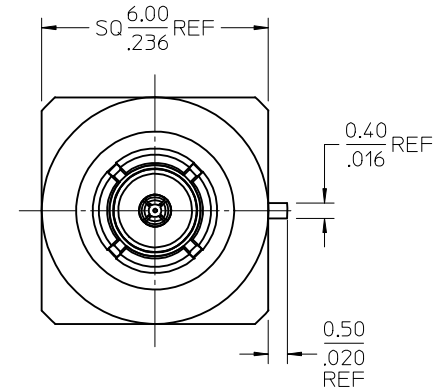
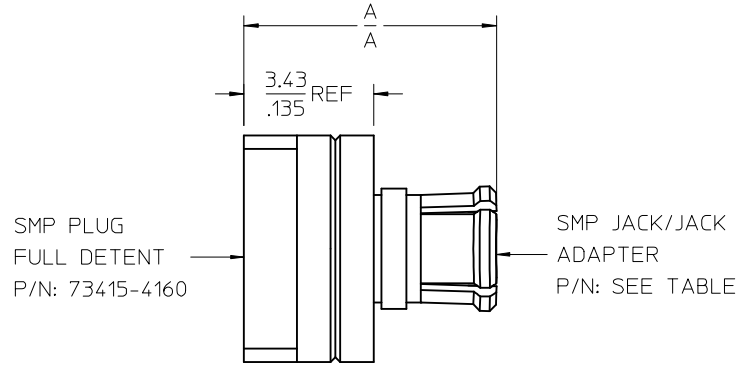


MATERIALS AND FINISHES:

SMP PLUG:
SEE SD-73415-416

SMP JACK/JACK ADAPTER:
SEE SD-73415-418

KAPTON: POLYIMIDE
COLOR: BLACK



RECOMMENDED PCB CONFIGURATION

73415-4214	73415-4185	.281±.005	7.14±0.13	.332±.008	8.43±0.20	-4214 WITH TAPE & REEL WITH KAPTON
73415-4213	73415-4184	.306±.006	7.77±0.15	.357±.009	9.07±0.23	-4213 WITH TAPE & REEL WITH KAPTON
73415-4212	73415-4181	.265±.005	6.73±0.13	.316±.008	8.03±0.20	-4210 WITH TAPE & REEL WITH KAPTON
73415-4211	73415-4180	.219±.005	5.56±0.13	.270±.008	6.86±0.20	-4211 WITH TRAY
73415-4210	73415-4181	.265±.005	6.73±0.13	.316±.008	8.03±0.20	-4210 WITH TRAY
PART NO.	SMP JACK/JACK	IN	MM	IN	MM	PACKAGING

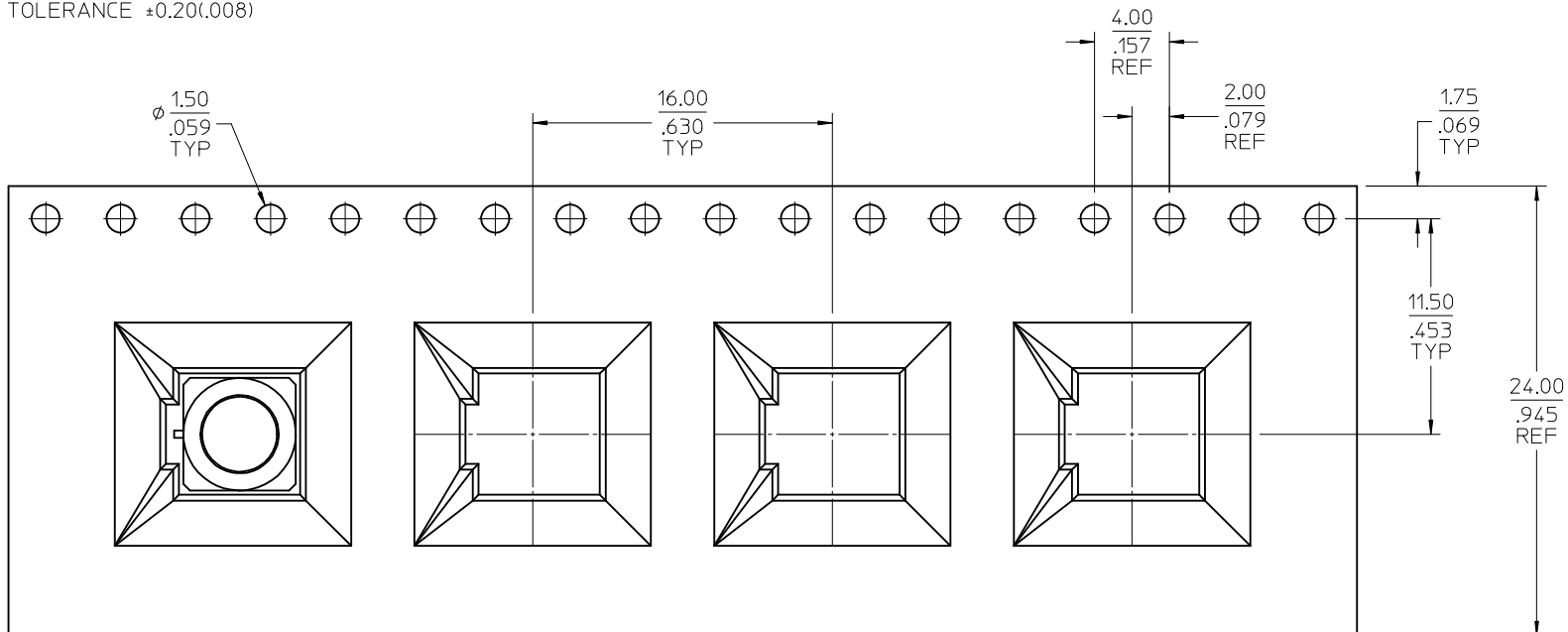
DIM A

DIM B

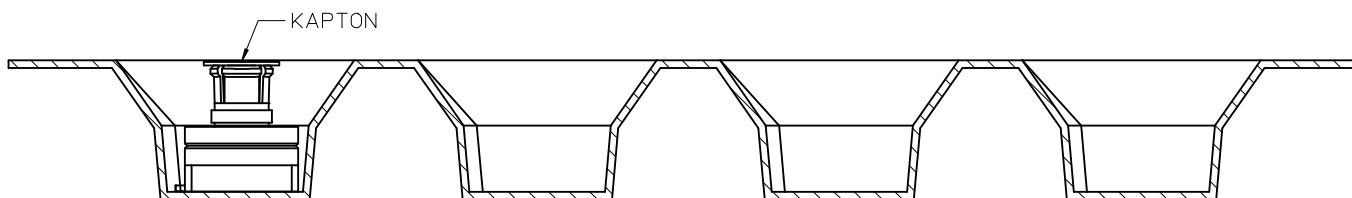
<p>CHG: UPD DIM A & B WITH TOLERANCE. UPD MATERIALS AND FINISHES NOTE.</p> <p>EC NO: URF2017-0403</p> <p>DRWIN:APRAKASHO1 2017/06/05</p> <p>CHKD:888 2017/06/05</p> <p>APPR:AROBERTSON 2017/06/29</p> <p>DESCRIPTION</p> <p>REV: B5</p>	<p>QUALITY SYMBOLS</p> <p>▽=0</p> <p>▽=0</p> <p>▽=0</p>	<p>GENERAL TOLERANCES (UNLESS SPECIFIED)</p> <table border="1"> <tr> <th></th> <th>mm</th> <th>INCH</th> </tr> <tr> <td>4 PLACES</td> <td>± .010</td> <td>± .0004</td> </tr> <tr> <td>3 PLACES</td> <td>± .010</td> <td>± .0004</td> </tr> <tr> <td>2 PLACES</td> <td>± 0.25</td> <td>± .010</td> </tr> <tr> <td>1 PLACE</td> <td>± .010</td> <td>± .0004</td> </tr> <tr> <td>0 PLACE</td> <td>± .010</td> <td>± .0004</td> </tr> </table> <p>ANGULAR ±1/2°</p> <p>DRAFT WHERE APPLICABLE MUST REMAIN WITHIN DIMENSIONS</p>		mm	INCH	4 PLACES	± .010	± .0004	3 PLACES	± .010	± .0004	2 PLACES	± 0.25	± .010	1 PLACE	± .010	± .0004	0 PLACE	± .010	± .0004	<p>DIMENSION STYLE</p> <p>MM/IN</p> <p>DRAWN BY DATE</p> <p>AZR 2004/03/24</p> <p>CHECKED BY DATE</p> <p>SSS 2004/03/24</p> <p>APPROVED BY DATE</p> <p>JDW 2004/03/24</p> <p>MATERIAL NO.</p> <p>SEE TABLE</p>	<p>SCALE</p> <p>DESIGN UNITS</p> <p>METRIC</p> <p>THIRD ANGLE PROJECTION</p> <p>TITLE</p> <p>SMP ADAPTER ASSEMBLY</p> <p>50 OHM EWR-2391</p> <p>SMP-P/J/PCB</p> <p>molex</p> <p>DOCUMENT NO.</p> <p>SD-73415-421</p> <p>SHEET NO.</p> <p>1 OF 7</p>
		mm	INCH																			
	4 PLACES	± .010	± .0004																			
	3 PLACES	± .010	± .0004																			
	2 PLACES	± 0.25	± .010																			
1 PLACE	± .010	± .0004																				
0 PLACE	± .010	± .0004																				
<p>THIS DRAWING CONTAINS INFORMATION THAT IS PROPRIETARY TO MOLEX INCORPORATED AND SHOULD NOT BE USED WITHOUT WRITTEN PERMISSION</p>																						

NOTE:

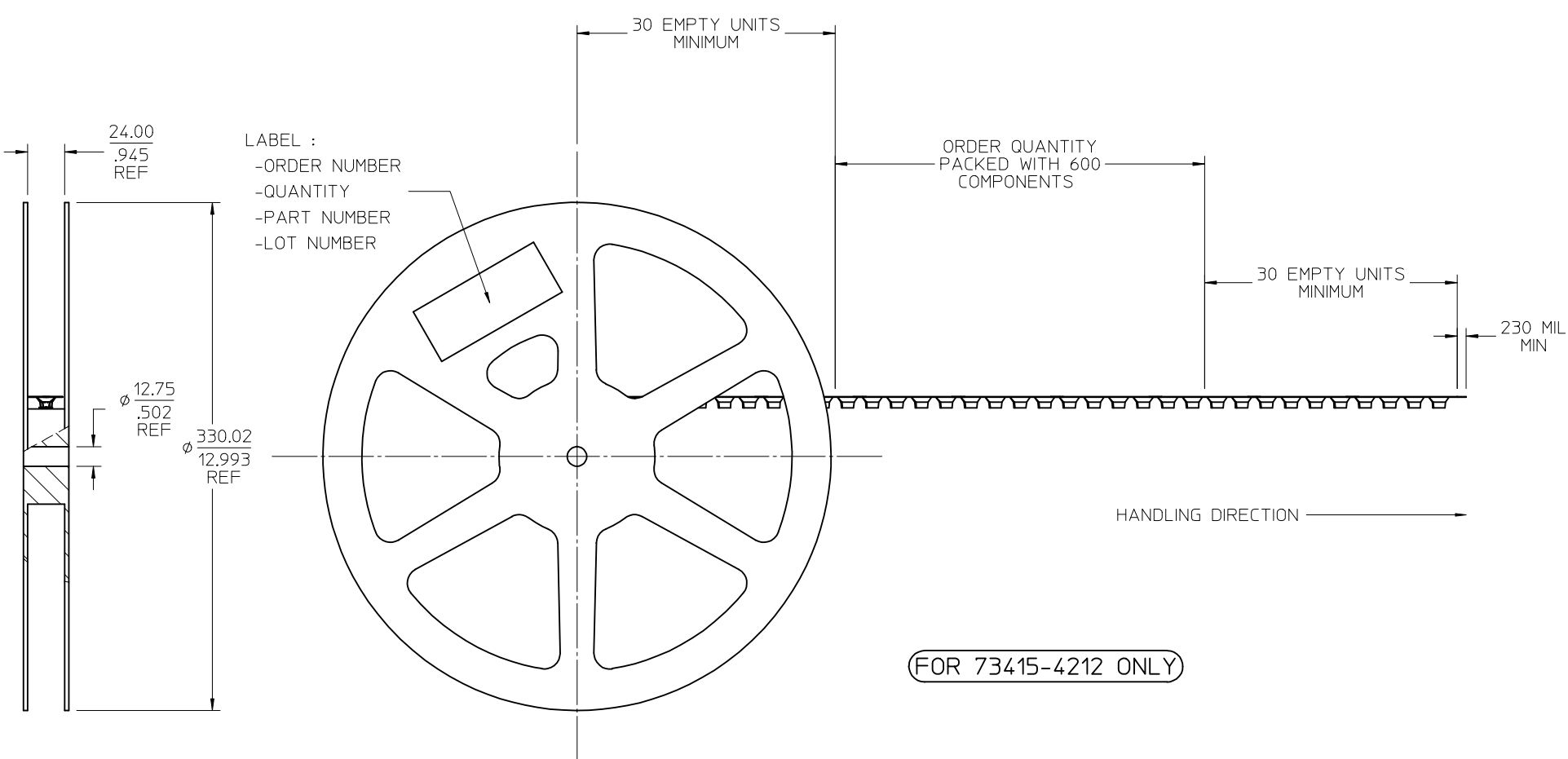
1. 10 PITCHES CUMULATIVE TOLERANCE ±0.20(.008)



FOR 73415-4212 ONLY



CHG: SEE SHEET 1 EC NO: URF2017-0403 DRWN:APRAKASHO1 2017/06/05 CHKD:BBB 2017/06/05 APPR:AROBERTSON 2017/06/29	DESCRIPTION REV	QUALITY SYMBOLS	GENERAL TOLERANCES (UNLESS SPECIFIED)	DIMENSION STYLE	SCALE	DESIGN UNITS	THIRD ANGLE PROJECTION
		▽=0 ▽=0 ▽=0	mm INCH	MM/IN	METRIC	⊕	
B5			4 PLACES ± --- ± --- 3 PLACES ± --- ± .010 2 PLACES ± 0.25 ± --- 1 PLACE ± --- ± --- 0 PLACE ± --- ± ---	DRAWN BY DATE AZR 2004/03/24 CHECKED BY DATE SSS 2004/03/24 APPROVED BY DATE JDW 2004/03/24	TITLE SMP ADAPTER ASSEMBLY 50 OHM EWR-2391 SMP-P/J/PCB		
			ANGULAR ±1/2°	MATERIAL NO. SEE SHEET 1	DOCUMENT NO. SD-73415-421		SHEET NO. 2 OF 7
		DRAFT WHERE APPLICABLE MUST REMAIN WITHIN DIMENSIONS		THIS DRAWING CONTAINS INFORMATION THAT IS PROPRIETARY TO MOLEX INCORPORATED AND SHOULD NOT BE USED WITHOUT WRITTEN PERMISSION			



FOR 73415-4212 ONLY

CHG: SEE SHEET 1
 EC NO: URF2017-0403
 DRW: APRAKASHO1 2017/06/05
 CHKD: BBB 2017/06/05
 APPR: AROBERTSON 2017/06/29

REV	DESCRIPTION	QUALITY SYMBOLS
B5		▽=0
		▽=0
		▽=0

GENERAL TOLERANCES (UNLESS SPECIFIED)	
	mm
4 PLACES	± .10
3 PLACES	± .125
2 PLACES	± .25
1 PLACE	± .50
0 PLACE	± .75

ANGULAR ±1/2°

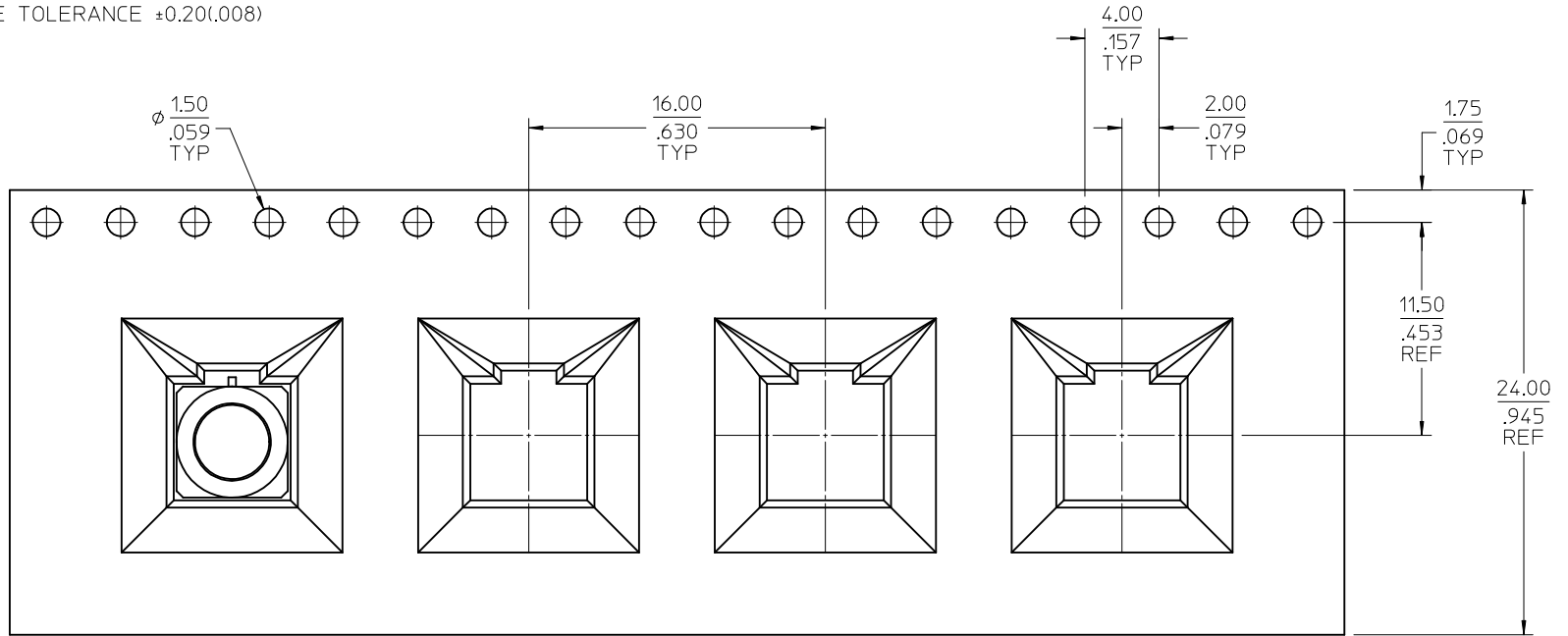
DRAFT WHERE APPLICABLE MUST REMAIN WITHIN DIMENSIONS

DIMENSION STYLE	
MM/IN	
DRAWN BY	DATE
AZR	2004/03/24
CHECKED BY	DATE
SSS	2004/03/24
APPROVED BY	DATE
JDW	2004/03/24
MATERIAL NO.	
SEE SHEET 1	

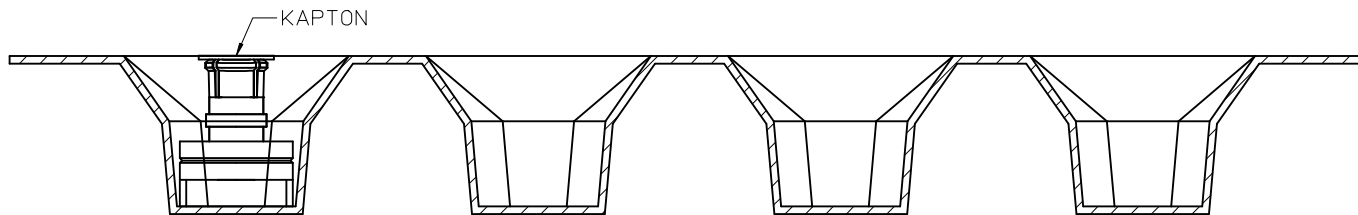
SCALE	DESIGN UNITS	THIRD ANGLE PROJECTION
	METRIC	☉
TITLE		
SMP ADAPTER ASSEMBLY		
50 OHM EWR-2391		
SMP-P/J/PCB		
molex		
DOCUMENT NO.	SHEET NO.	
SD-73415-421	3 OF 7	
SIZE		
C THIS DRAWING CONTAINS INFORMATION THAT IS PROPRIETARY TO MOLEX INCORPORATED AND SHOULD NOT BE USED WITHOUT WRITTEN PERMISSION		

NOTE:

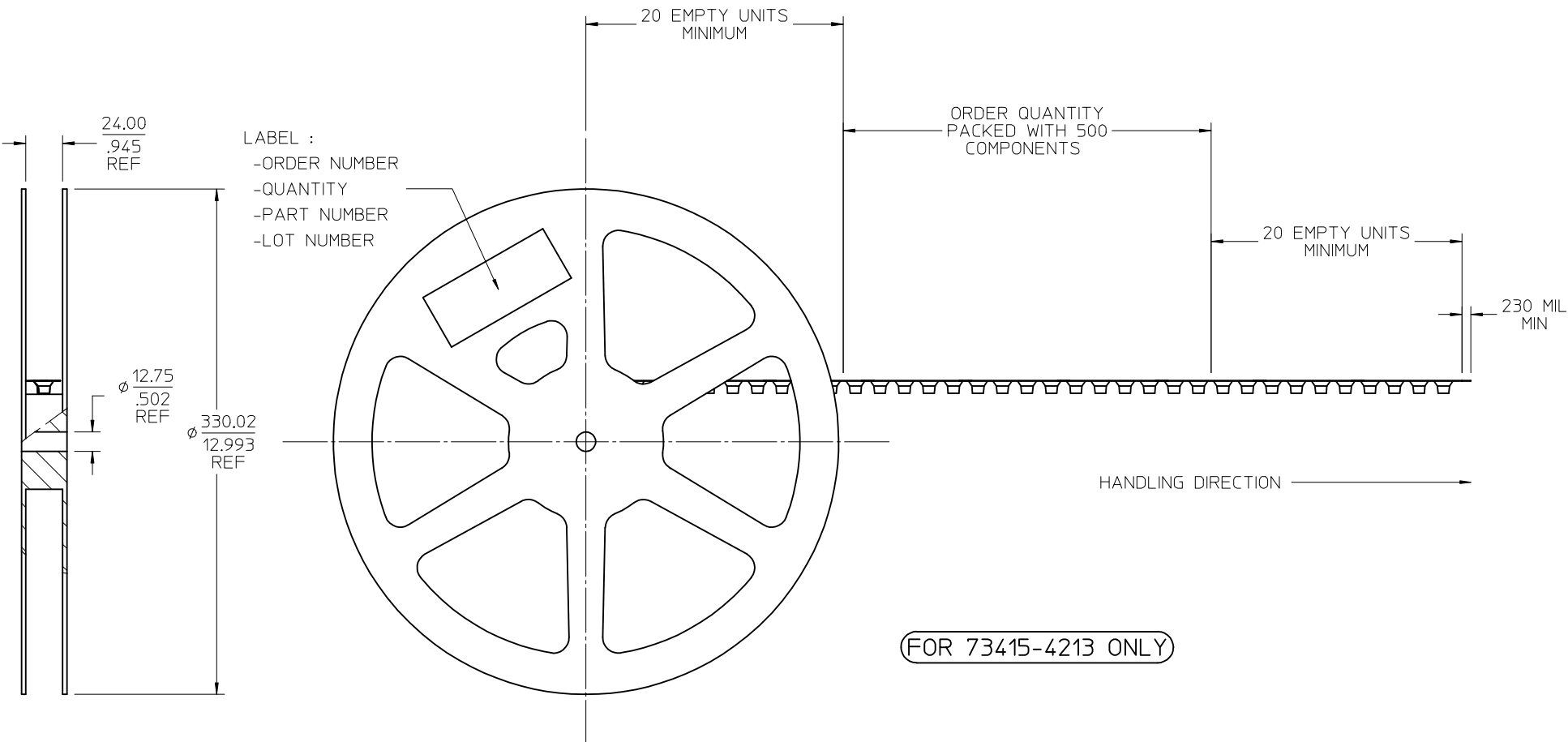
1. 10 PITCHES CUMULATIVE TOLERANCE ±0.20(.008)



FOR 73415-4213 ONLY

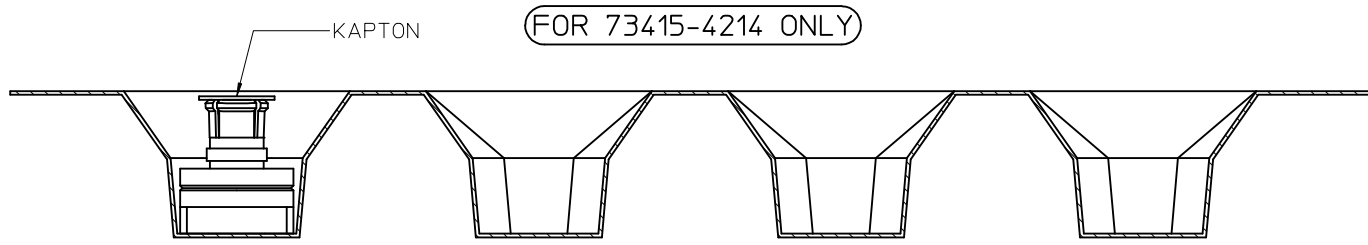
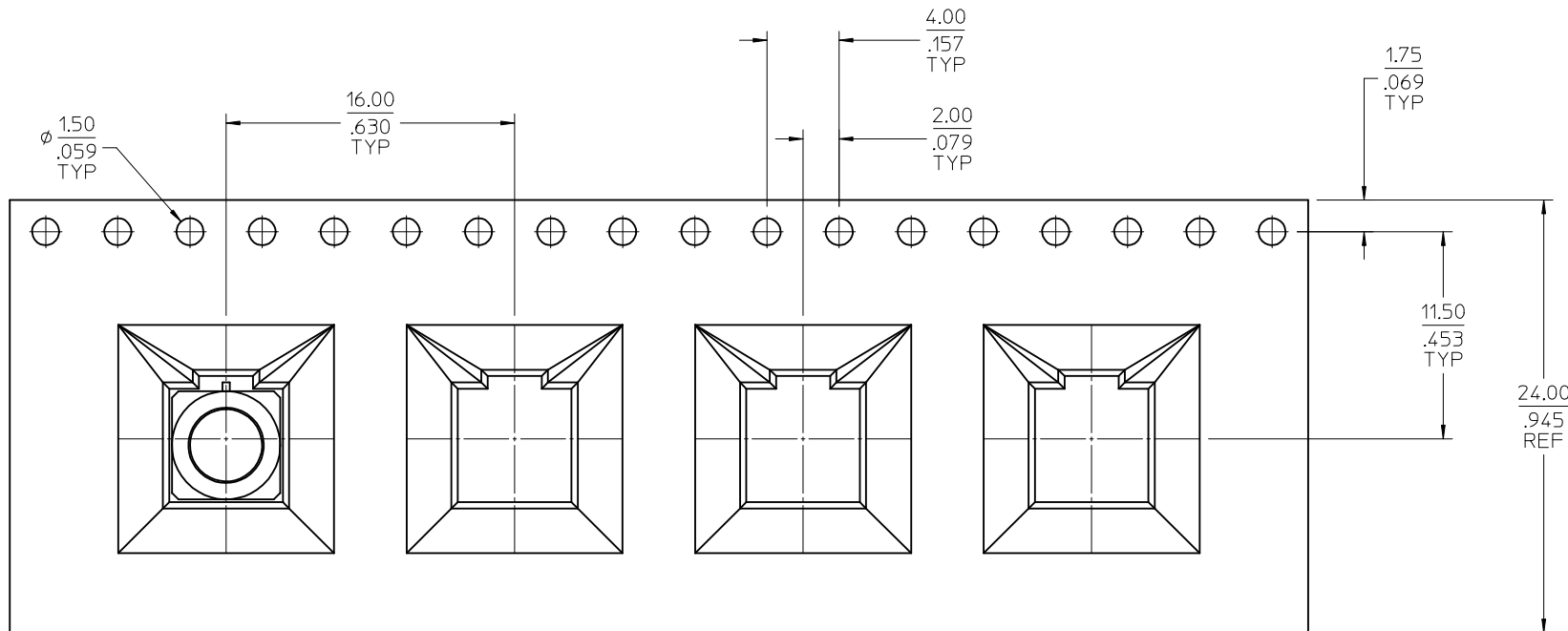


CHG: SEE SHEET 1 EC NO: URF2017-0403 DRWN:APRAKASH01 2017/06/05 CHKD:888 2017/06/05 APPR:AROBERTSON 2017/06/29	QUALITY SYMBOLS ▽=0 ▽=0 ▽=0	GENERAL TOLERANCES (UNLESS SPECIFIED)		DIMENSION STYLE MM/IN		SCALE	DESIGN UNITS METRIC	THIRD ANGLE PROJECTION	
		4 PLACES ± --- ± ---	3 PLACES ± --- ± .010	2 PLACES ± 0.25 ± ---	1 PLACE ± --- ± ---	0 PLACE ± --- ± ---	ANGULAR ±1/2°	DRAFT WHERE APPLICABLE MUST REMAIN WITHIN DIMENSIONS	SIZE C
B5	REV	DRAWN BY AZR		DATE 2004/03/24		TITLE SMP ADAPTER ASSEMBLY 50 OHM EWR-2391 SMP-P/J/PCB		DOCUMENT NO. SD-73415-421	
		CHECKED BY SSS		DATE 2004/03/24		APPROVED BY JDW		DATE 2004/03/24	
		MATERIAL NO.		SEE SHEET 1		SHEET NO. 4 OF 7			



SEE SHEET 1 FOR PCB LAYOUT

CHG: SEE SHEET 1 EC NO: URF-2017-0403 IDRW:APRAKASH01 2017/06/05 CHKD:888 2017/06/05 APPR:AROBERTSON 2017/06/29 B5	QUALITY SYMBOLS 	GENERAL TOLERANCES (UNLESS SPECIFIED) <table border="1"> <thead> <tr> <th></th> <th>mm</th> <th>INCH</th> </tr> </thead> <tbody> <tr> <td>4 PLACES</td> <td>± .010</td> <td>± .0004</td> </tr> <tr> <td>3 PLACES</td> <td>± .010</td> <td>± .0004</td> </tr> <tr> <td>2 PLACES</td> <td>± 0.25</td> <td>± .010</td> </tr> <tr> <td>1 PLACE</td> <td>± .010</td> <td>± .0004</td> </tr> <tr> <td>0 PLACE</td> <td>± .010</td> <td>± .0004</td> </tr> </tbody> </table>		mm	INCH	4 PLACES	± .010	± .0004	3 PLACES	± .010	± .0004	2 PLACES	± 0.25	± .010	1 PLACE	± .010	± .0004	0 PLACE	± .010	± .0004	DIMENSION STYLE MM/IN DRAWN BY: AZR DATE: 2004/03/24 CHECKED BY: SSS DATE: 2004/03/24 APPROVED BY: JDW DATE: 2004/03/24	SCALE: TITLE: SMP ADAPTER ASSEMBLY DESIGN UNITS: METRIC THIRD ANGLE PROJECTION	SHEET NO. 5 OF 7
		mm	INCH																				
	4 PLACES	± .010	± .0004																				
	3 PLACES	± .010	± .0004																				
2 PLACES	± 0.25	± .010																					
1 PLACE	± .010	± .0004																					
0 PLACE	± .010	± .0004																					
MATERIAL NO. SEE SHEET 1 DOCUMENT NO. SD-73415-421	ANGULAR ±1/2° DRAFT WHERE APPLICABLE MUST REMAIN WITHIN DIMENSIONS		molex		THIS DRAWING CONTAINS INFORMATION THAT IS PROPRIETARY TO MOLEX. INCORPORATED AND SHOULD NOT BE USED WITHOUT WRITTEN PERMISSION																		



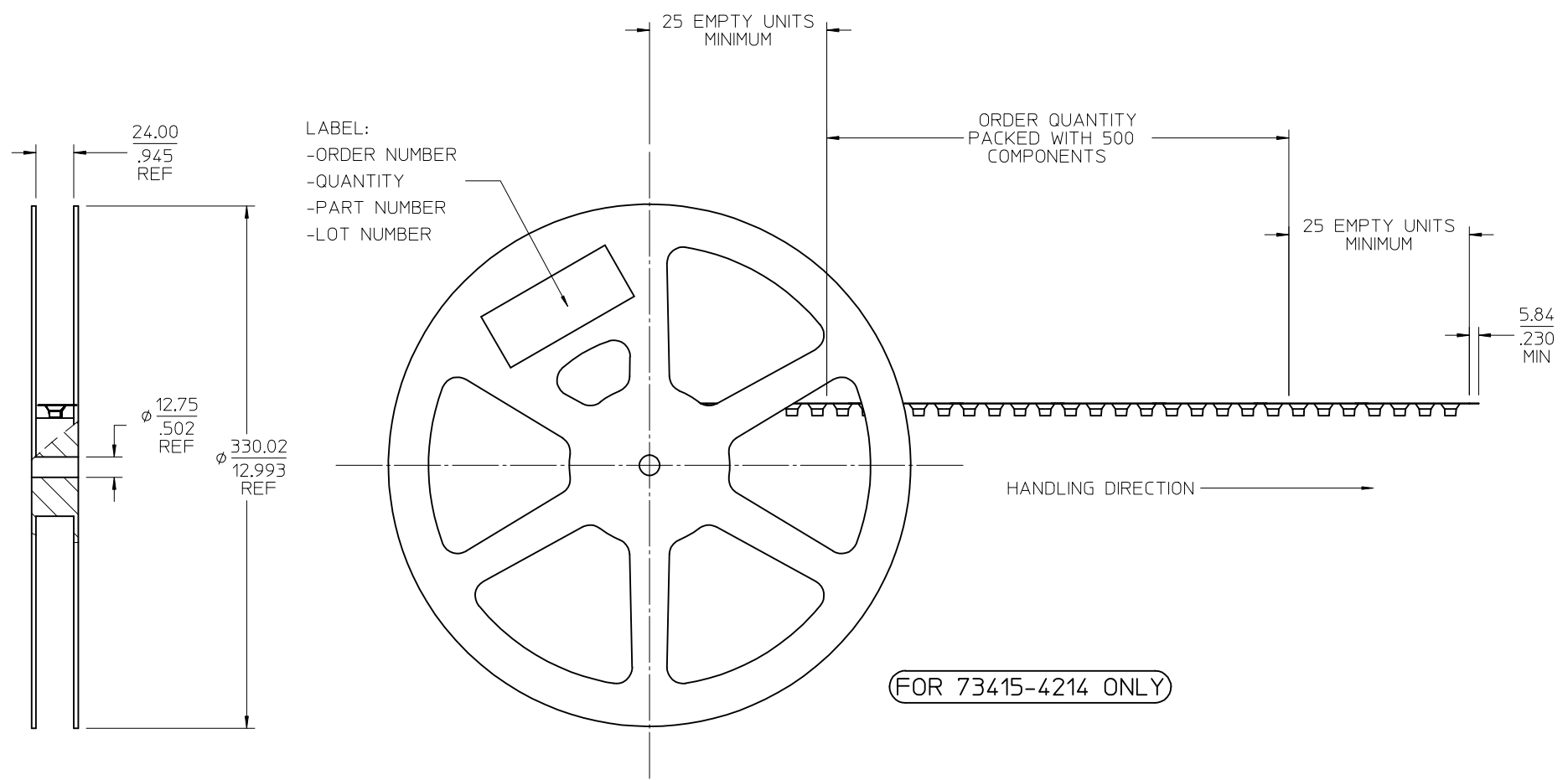
CHG: SEE SHEET 1	2017/06/05
EC NO: URF2017-0403	2017/06/05
DRWN:APRAKASHO1	2017/06/05
CHKD:BBB	2017/06/29
APPR:AROBERTSON	
B5	

REV	DESCRIPTION
▽=0	
▽=0	
▽=0	

GENERAL TOLERANCES (UNLESS SPECIFIED)	
	mm
	INCH
4 PLACES	± .010
3 PLACES	± .010
2 PLACES	± 0.25
1 PLACE	± .010
0 PLACE	± .010
ANGULAR ±1/2°	
DRAFT WHERE APPLICABLE MUST REMAIN WITHIN DIMENSIONS	

DIMENSION STYLE	
MM/IN	
DRAWN BY	DATE
AZR	2004/03/24
CHECKED BY	DATE
SSS	2004/03/24
APPROVED BY	DATE
JDW	2004/03/24
MATERIAL NO.	
SEE SHEET 1	

SCALE	DESIGN UNITS	THIRD ANGLE PROJECTION
	METRIC	
TITLE		
SMP ADAPTER ASSEMBLY		
50 OHM EWR-2391		
SMP-P/J/PCB		
molex		
MATERIAL NO.	DOCUMENT NO.	SHEET NO.
SEE SHEET 1	SD-73415-421	6 OF 7
THIS DRAWING CONTAINS INFORMATION THAT IS PROPRIETARY TO MOLEX INCORPORATED AND SHOULD NOT BE USED WITHOUT WRITTEN PERMISSION		



LABEL:
 -ORDER NUMBER
 -QUANTITY
 -PART NUMBER
 -LOT NUMBER

FOR 73415-4214 ONLY

CHG: SEE SHEET 1 EC NO: URF2017-0403 DRWN:APRAKASHO1 2017/06/05 CHKD:BBB 2017/06/05 APPR:AROBERTSON 2017/06/29 B5	QUALITY SYMBOLS	GENERAL TOLERANCES (UNLESS SPECIFIED)	DIMENSION STYLE	SCALE	DESIGN UNITS	THIRD ANGLE PROJECTION
	▽=0	mm INCH	MM/IN	METRIC	⊙	
	▽=0	4 PLACES ± --- ± ---	DRAWN BY DATE	TITLE		
	▽=0	3 PLACES ± --- ± .010	CHECKED BY DATE	SMP ADAPTER ASSEMBLY		
		2 PLACES ± 0.25 ± ---	SSS 2004/03/24	50 OHM EWR-2391		
		1 PLACE ± --- ± ---	APPROVED BY DATE	SMP-P/J/PCB		
		0 PLACE ± --- ± ---	JDW 2004/03/24	molex		
		ANGULAR ±1/2°	MATERIAL NO.	DOCUMENT NO.		SHEET NO.
		DRAFT WHERE APPLICABLE MUST REMAIN WITHIN DIMENSIONS	SEE SHEET 1	SD-73415-421		7 OF 7
			SIZE C	THIS DRAWING CONTAINS INFORMATION THAT IS PROPRIETARY TO MOLEX INCORPORATED AND SHOULD NOT BE USED WITHOUT WRITTEN PERMISSION		