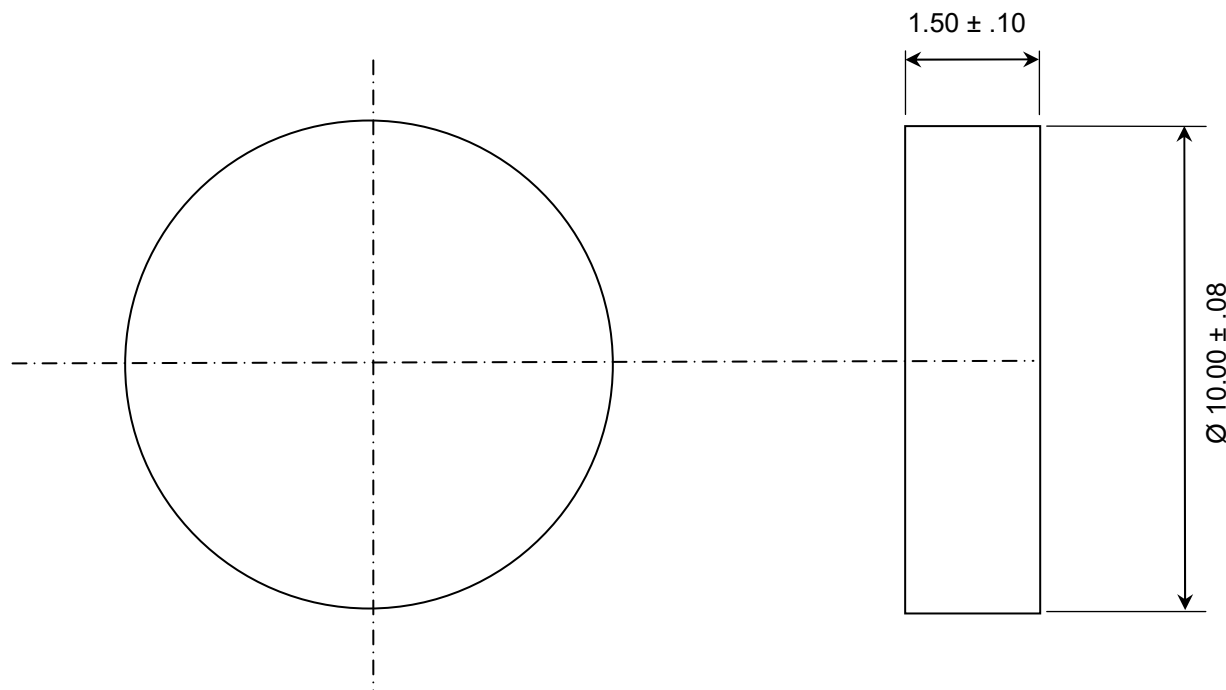


CONFIDENTIAL & PROPRIETARY INFORMATION
 This document contains Confidential and Proprietary Information of Alliance LLC, and all design, manufacturing, reproduction, use, and sale rights of such information are expressly reserved

ALL DIMENSIONS ARE IN MM



NOTES:

- MAGNET PROPERTIES PER BCN-11:
 Br: 6,900-7,400 G
 Hc: 5,000-6,000 Oe
 Hci: ≥6,500 Oe
- GRAY EPOXY COATED
- ISOTROPIC MATERIAL



REV	DESCRIPTION	DATE	BY
B	Changed CAD, incl cert, 3D	1/30/17	BT

TOLERANCES
 (UNLESS OTHERWISE NOTED)

DECIMAL METRIC
 X.XX = ± .01 X.X = ± .25
 X.XXX = ± .005 X.XX = ± .13

ANGLES
 ± .5°

DO NOT SCALE DRAWING

Alliance LLC		
1450 CLARK DRIVE, VALPARAISO, INDIANA 46385		
DESCRIPTION: 10 mm x 1.5 mm DISC MAGNET		
Qi Wireless		P/N: ALC1015
GRADE: BCN-11	Drwg by: BT	REV LEVEL: B
COATING: Gray Epoxy	Appr by: DV	Appr. Dated: 05-15-2015