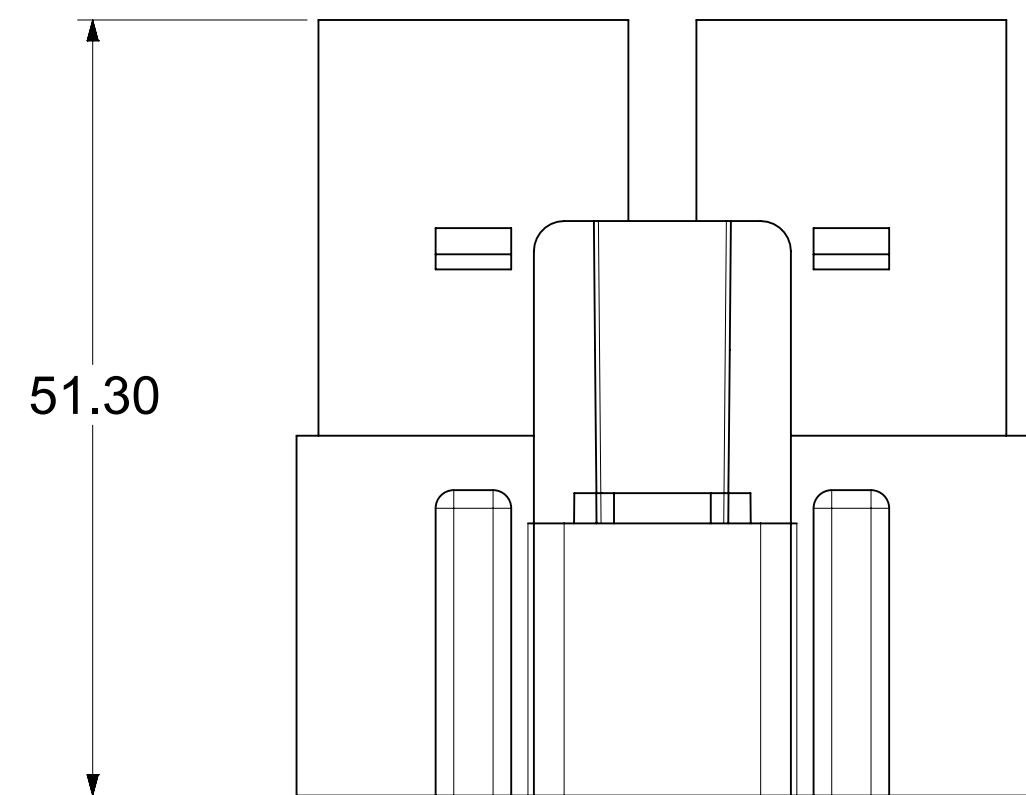
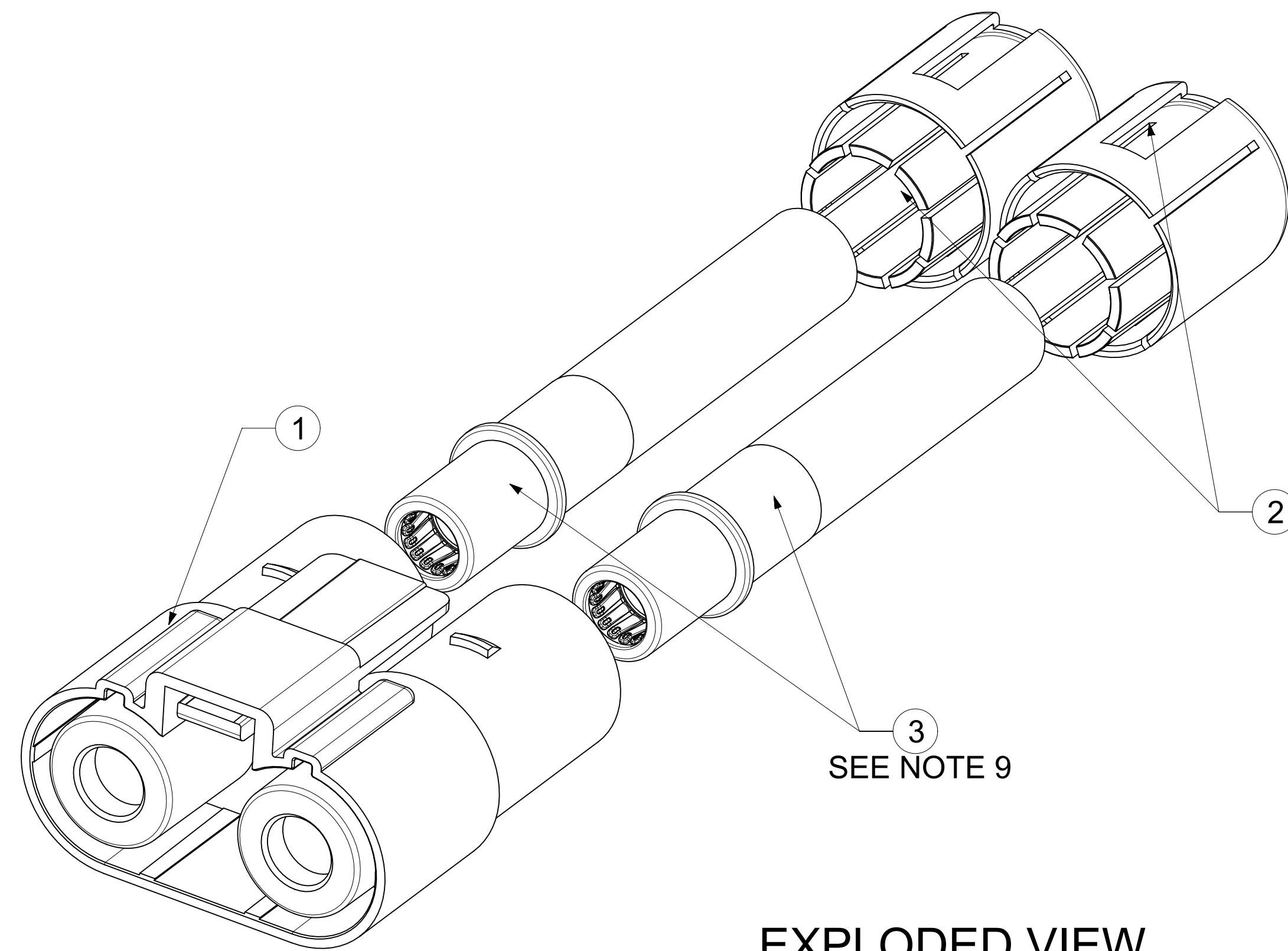
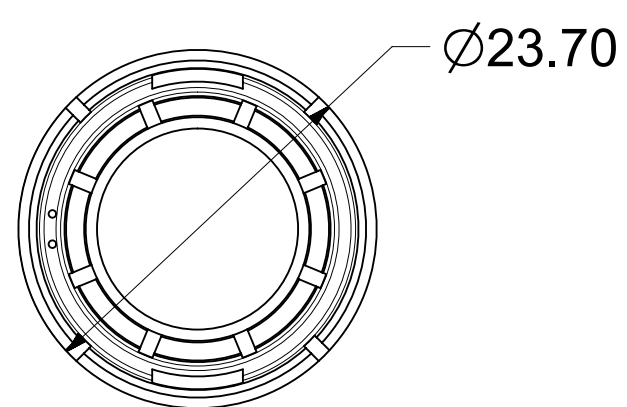
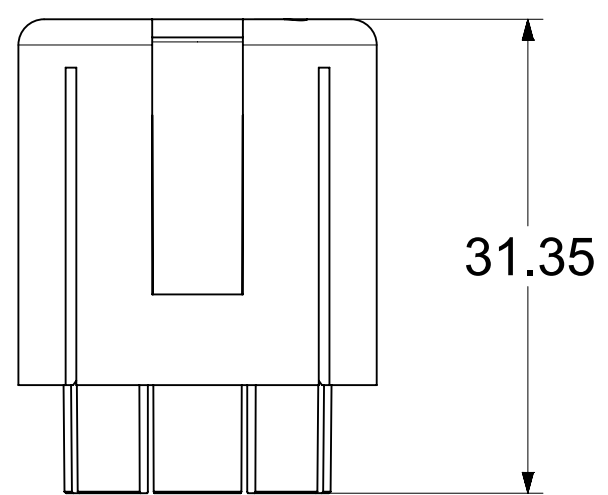


ITEM NO	P/N	DESCRIPTION	QTY	PK SPEC
1	2046010001	CST 8mm 2 POS HOUSING	1	2046010001-PK
2	2046030001	1/0 CABLE RETAINER	2	2046030001-PK
3	2046080001	8MM CST CRIMPED FEMALE	2	2046080001-PK

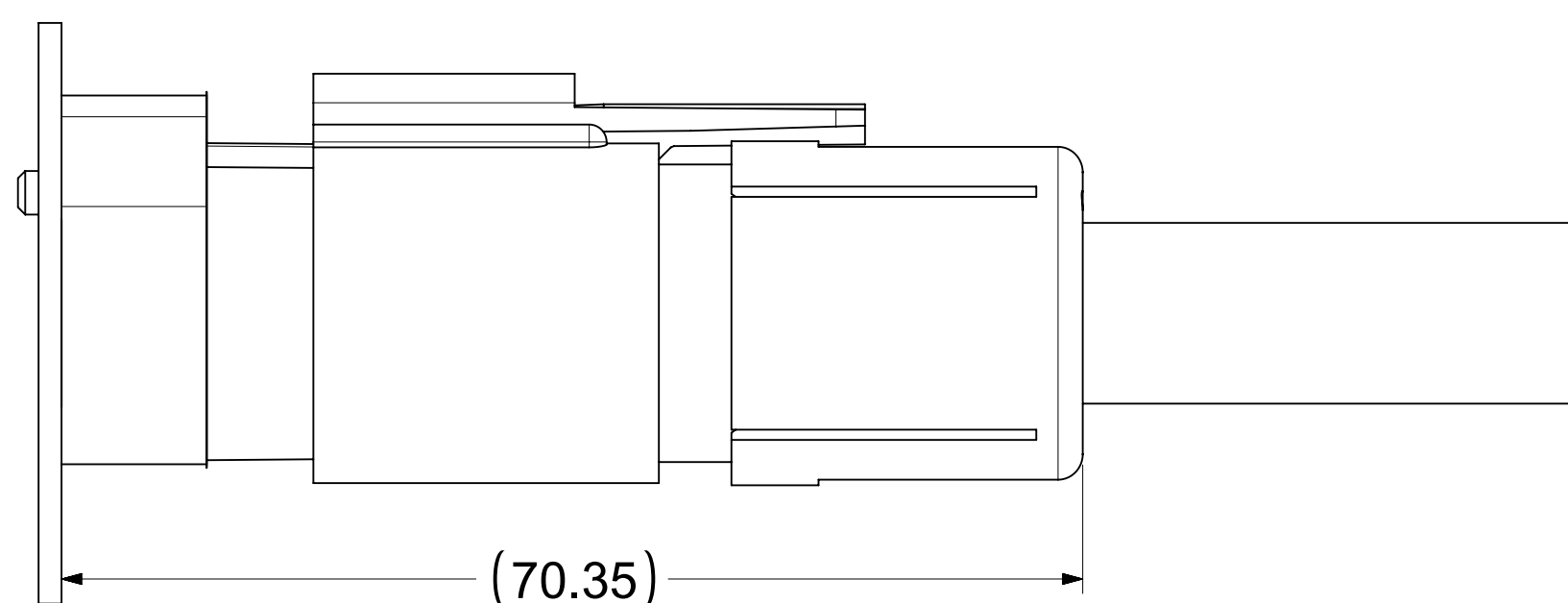
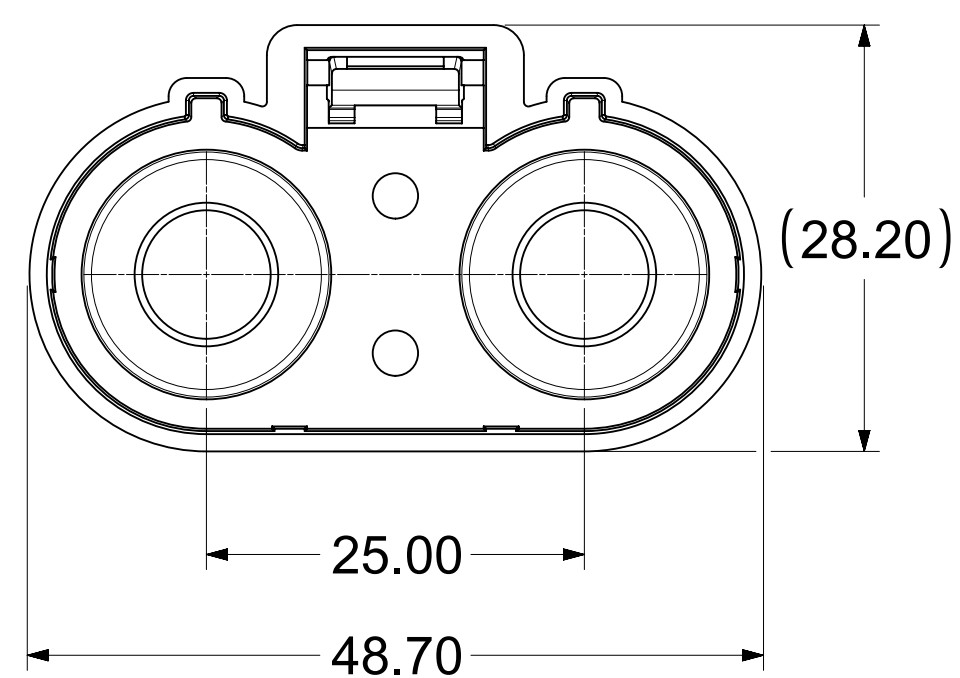
### MAIN HOUSING



### RETAINER



**EXPLODED VIEW**  
(SEE NOTE 7)



**ASSEMBLED AND MATED PROFILE**  
(SEE NOTE 6)

**NOTES;**

1. MATERIALS:
  - I. POWER TERMINALS: SEE TERMINAL SD FOR DETAILS
  - II. PLASTIC HOUSINGS: PBT POLYESTER, BLACK
2. MATES WITH HEADER ASSEMBLY 2046000001.
3. PRODUCT SPECIFICATION: 2046000001-PS.
4. PACKAGING SPECIFICATION: SEE CHART.
5. ASSEMBLY SPECIFICATION: 2043130001-AS.
6. OVERALL LENGTH DOESN'T INCLUDE WIRES
7. COMPONENTS 1,2 AND 3 MUST BE PURCHASED INDIVIDUALLY (SHOWN AS ASSEMBLY FOR VISUAL PURPOSES ONLY)
8. ASSEMBLY MEETS ROHS REQUIREMENTS.
9. SEE 2046080001-SD FOR TERMINAL DETAILS

THIS DRAWING CONTAINS INFORMATION THAT IS PROPRIETARY TO MOLEX ELECTRONIC TECHNOLOGIES, LLC AND SHOULD NOT BE USED WITHOUT WRITTEN PERMISSION											
DIMENSION UNITS <b>mm</b>		SCALE <b>NTS</b>		CURRENT REV DESC: UPDATED NOTE 3				<b>molex</b>		8.0MM CST CRIMP, FEMALE CABLE ASSY 2 CIRCUIT	
GENERAL TOLERANCES (UNLESS SPECIFIED)						EC NO: 693297					
ANGULAR TOL		± 0.5°		DRWN: SOURAJ		2022/01/21		DOCUMENT NUMBER		DOC TYPE   DOC PART   REVISION	
4 PLACES		±		CHK'D: JJONIAK		2022/01/31		2045990001-SD		PSD   000   A3	
3 PLACES		±		APPR: JJONIAK		2022/01/31		PRODUCT CUSTOMER DRAWING			
2 PLACES		± 0.15		INITIAL REVISION:				DOCUMENT NUMBER		DOC TYPE   DOC PART   REVISION	
1 PLACE		± 0.25		DRWN: JJONIAK		2018/05/02		2045990001-SD		PSD   000   A3	
0 PLACES		±		APPR: BPISZCZOR		2018/07/05		MATERIAL NUMBER   CUSTOMER			
DRAFT WHERE APPLICABLE MUST REMAIN WITHIN DIMENSIONS				THIRD ANGLE PROJECTION		DRAWING		SERIES		SHEET NUMBER	
						<b>D-SIZE</b>		<b>204599</b>		1 OF 1	