

Technical specification :

Rated voltage: IEC 61076-2-104	30 V
Current rating: IEC 61076-2-104	1,5 A at 40°C
Insulation resistance: IEC 60512	>=100 MΩ
Pollution degree: IEC 60664-1	3/2
Degree of protection: IEC 60529	IP 67, in mated condition
Temperature range: IEC 60664-1	-30°C ... +80°C
Mating cycles: IEC 60512-9a	>=100

Materials:

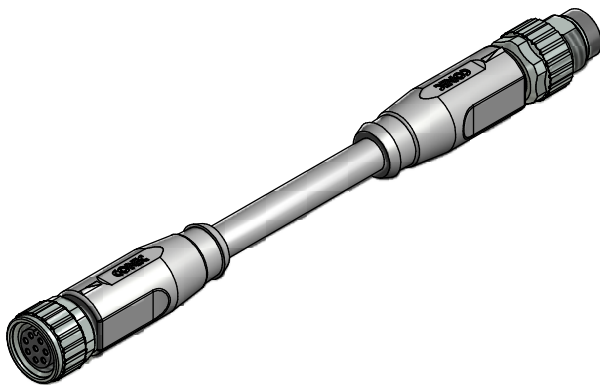
Contact:	CuZn
Contact plating:	Nickel, gold plated
Contact carrier:	TPU GF, UL 94
Sealing:	FPM
Coupling nut / screw:	GD-Zn, nickel plated
Moulding body:	TPU, UL 94, grey

Installation specification:

Recommended torque:	0,4 Nm
Conec installation tooling:	Torque wrench: 36-000200 Insert across flats 9: 36-000210

Contact assignment:

1) white	5) grey
2) brown	6) pink
3) green	7) blue
4) yellow	8) red



D see data sheet cable

Part no:	Description:	Length L:	Cable:
42-11234	SAL - 8 - RK8 - RS8 - 0,3 / A1	0,3m	PVC, grey, 8x0,14mm ² Cable: 781-A11800
42-11235	SAL - 8 - RK8 - RS8 - 0,6 / A1	0,6m	
42-11236	SAL - 8 - RK8 - RS8 - 1,5 / A1	1,5m	
42-11237	SAL - 8 - RK8 - RS8 - 3 / A1	3m	
42-xxxxx	SAL - 8 - RK8 - RS8 - ... / A1	x	

DO NOT ALTER CAD DRAWING BY HAND Directive 2002/95/EC RoHS compliant	Index:a 23.08.11 BCB Ä3941 data modified	dim. in mm	title: Connecting cable M8x1, female connector axial - male connector axial		
	tolerance of cable: L ≤ 4m: L + 40mm L > 4m: L + 1%			date	name
	THIS DRAWING MAY NOT BE COPIED OR REPRODUCED IN ANY WAY, AND MAY NOT BE PASSED ON TO A THIRD PARTY WITHOUT WRITTEN PERMISSION. OWNERSHIP AND COPYRIGHT OF CONEC GmbH	drawn		13.10.10	Mankopf
		appd.		13.10.10	Franz
CONEC ®			dwg no: 42K1A275		
			part no: see table		