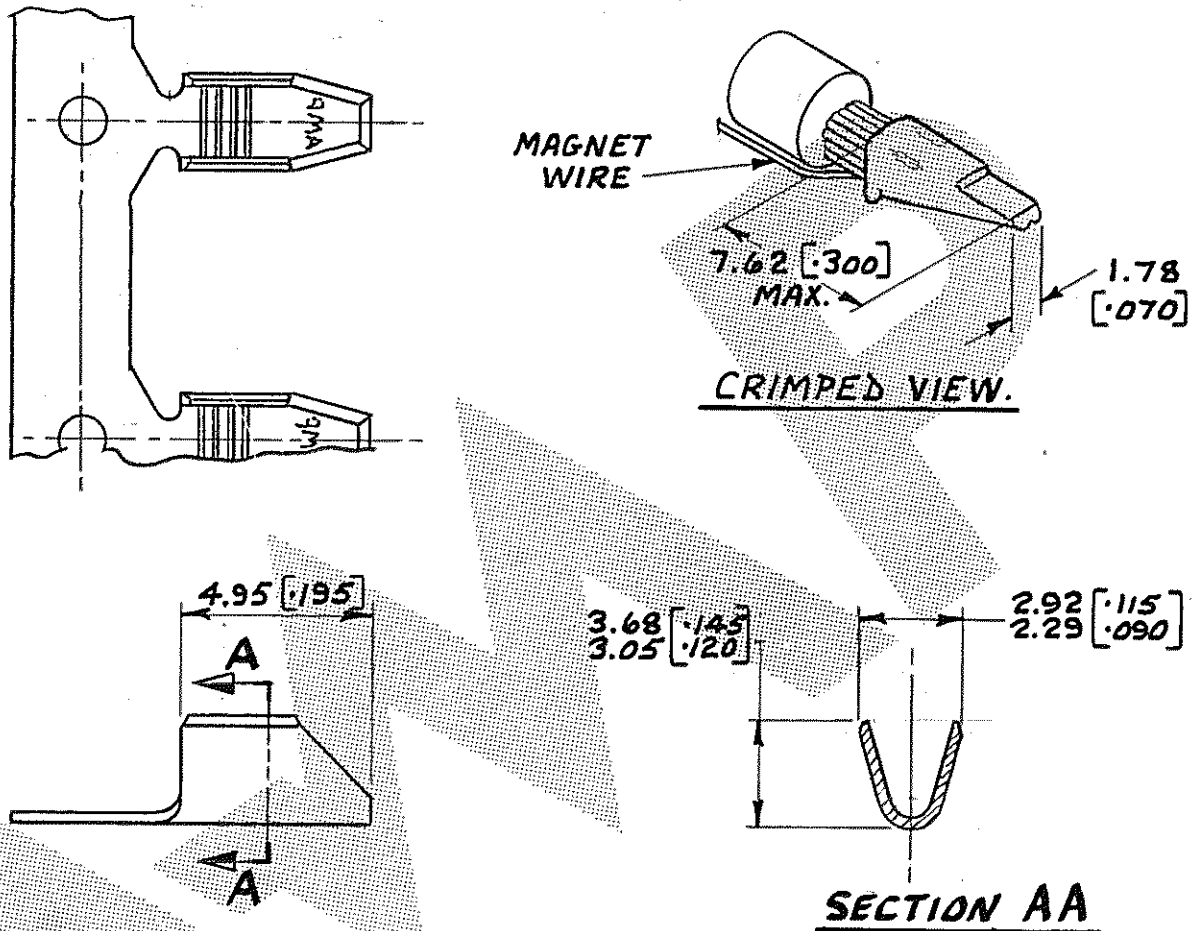


NUMBER C-342384

3rd ANGLE (AMERICAN) PROJECTION

DIMENSIONS IN  $M/M$  DO NOT SCALE PRINT  
 DIMENSIONS THUS [ ] IN INCHES



**NOTES :-**

1. - WIRE RANGE - TINNED LEAD WIRE 255-1855 CMA; COPPER LEAD WIRE 1250-1850 CMA.
2. - APPLICABLE WIRE SIZES 26-18 AWG STRANDED WITH 40-26 AWG COPPER MAGNET.
3. - PRE-STRIPPING OF THE MAGNET WIRE IS NOT REQUIRED.

|   |                 |                              |
|---|-----------------|------------------------------|
| 342384 - 2  | BRASS           | ELECTRO-TIN                  |
| 342384 - 1  | BRASS           | NONE                         |
| <b>PART No.</b>   | <b>MATERIAL</b> | <b>FINISH</b>                |
|   |                 | CUSTOMER COPY REFERENCE ONLY |
| MATERIAL AND FINISH<br>0.33 [0.013]<br>STOCK<br>SEE TABLE       |                 | <b>TE</b> TE Connectivity    |
| WIRE - RANGE - INSULATION<br>200 - 2000 CMA. -                  |                 | CLASS                        |
| TOLERANCE EXCEPT AS NOTED<br>$\pm 0.5$ [0.020] $\pm 1^\circ 0'$ |                 | TYPE                         |
| SCALE<br>5:1  |                 | LOC E A NO C-342384          |
| NAME<br>MINIATURE AMPLIVAR SPLICE                               |                 | Rev. A                       |

|     |                    |      |          |
|-----|--------------------|------|----------|
| A   | FIRST ISSUE        | J.C. | 31.3.82  |
| ISS | REVISION RECORD    | DR   | CHK DATE |
| DR  | J.CREW. 3/13/82    | DE   |          |
| CHK | [Signature] 1/4/82 | APP  |          |

PRINT DIST.