

6

5

4

3

2

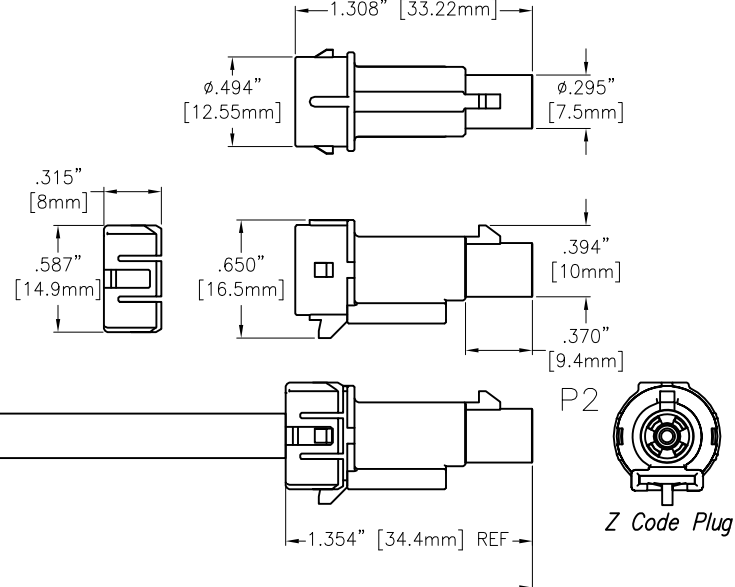
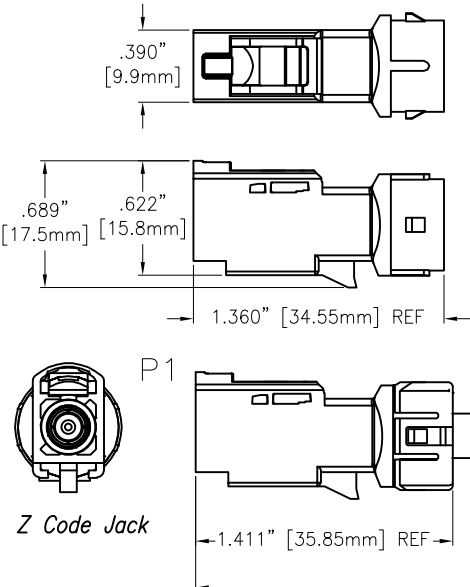
1

APPROVED: _____
DATE: _____ TITLE: _____

Rev	AWO #	Description	Date	Appr
-		RELEASED	10/12/22	

CA-FJFM-XX002X

P1 CODE		P2 CODE	
Z	Water Blue	Z	Water Blue
N	Pastel Green	N	Pastel Green
M	Pink Orange	M	Pink Orange
L	Carmine	L	Carmine
K	Curry	K	Curry
I	Yellow	I	Yellow
H	Violet	H	Violet
G	Grey	G	Grey
F	Brown	F	Brown
E	Green	E	Green
D	Purple	D	Purple
C	Blue	C	Blue
B	White	B	White
A	Black	A	Black
Code	Color	Code	Color
Jack		Plug	



SPECIFICATIONS:

Connector:
P1= FAKRA Female Code See Chart, Straight, Brass Gold Plated Contacts
ADAM-P/N: RF55-61Z-Y-02-50
P2= FAKRA Male Code See Chart, Straight, Brass Gold Plated Contacts
ADAM-P/N: RF55-62Z-Y-02-50

Electrical:
Contact resistance: 30 mohms max
Insulation resistance: 1000 Mohms min
Dielectric withstanding voltage: 500 VAC

Cable:
RG316U, Color: Brown

Electrical Test:
All Assemblies must be 100% Tested for
Shorts, Open, Continuity, and Physical Appearance.

Environmental:
IP Rating: IPX7

Lead free, RoHS compliant



ADAM-P/N	L±T
CA-FJFM-XX00203WP	11.811"±1.969" [300±50mm]
CA-FJFM-XX00206WP	23.622"±1.969" [600±50mm]
CA-FJFM-XX00210WP	39.370"±1.969" [1000±50mm]
CA-FJFM-XX00220WP	78.740"±1.969" [2000±50mm]
CA-FJFM-XX00230WP	118.110"±1.969" [3000±50mm]
CA-FJFM-XX00240WP	157.480"±1.969" [4000±50mm]
CA-FJFM-XX00250WP	196.850"±1.969" [5000±50mm]

UNLESS OTHERWISE SPECIFIED ALL DIMENSIONS ARE INCHES [MM]. TOLERANCES: EXCEPT AS NOTED

INCHES		HOLES	
.X	±.10	Ø.X	±.10
.XX	±.020	Ø.XX	±.015
.XXX	±.015	Ø.XXX	±.010



909 Rahway Avenue,
Union, NJ 07083
Phone: 908-687-5000
Fax: 908-687-5710

DRAWN	LH	10/12/22
CHECKED	RC	10/12/22
APPROVED		

TITLE
CUSTOM CABLE ASSEMBLY, FAKRA FEMALE STRAIGHT TO FAKRA MALE STRAIGHT, RG316U, IPX7 RATED

THIS DRAWING CONTAINS INFORMATION THAT IS PROPRIETARY AND SHOULD NOT BE USED WITHOUT PRIOR WRITTEN PERMISSION FROM ADAM TECH

SIZE	PART NO.	REV.
X	CA-FJFM-XX002XWP	-
REF:	S00288T	SCALE: NTS SHEET 1 OF 1

6

5

4

3

2

1