

1658624-4 ✓ ACTIVE

AMP-LATCH | AMP-LATCH - NOVO

TE Internal #: 1658624-4

Ribbon Cable Connectors, Wire-to-Board, 20 Position, 2.54 mm [.1 in] Centerline, Vertical, Through Hole - Solder, 2 Row, Receptacle, AMP-LATCH - NOVO

[View on TE.com >](#)



Connectors > PCB Connectors > Wire-to-Board Connectors > FFC, FPC & Ribbon Connectors > Ribbon Cable Connectors



Connector System: **Wire-to-Board**

Number of Positions: **20**

Centerline (Pitch): **2.54 mm [.1 in]**

PCB Mount Retention: **Without**

PCB Mount Orientation: **Vertical**

## Features

### Product Type Features

|                                    |                    |
|------------------------------------|--------------------|
| Ribbon Cable Connector Header Type | Pin Header         |
| Connector Product Type             | Connector Assembly |
| Connector System                   | Wire-to-Board      |
| Connector & Housing Type           | Receptacle         |
| Connector & Contact Terminates To  | Wire & Cable       |

### Configuration Features

|                       |          |
|-----------------------|----------|
| Number of Positions   | 20       |
| PCB Mount Orientation | Vertical |
| Number of Rows        | 2        |

### Electrical Characteristics

|                       |         |
|-----------------------|---------|
| Insulation Resistance | 5000 MΩ |
| Operating Voltage     | 250 VAC |

### Body Features

|             |         |
|-------------|---------|
| Daisy Chain | Without |
|-------------|---------|



|                       |       |
|-----------------------|-------|
| Primary Product Color | Black |
| Connector Profile     | Low   |

### Contact Features

|   |  |
|---|--|
| Mating Square Post Dimension                    | .64 mm[.025 in]                        |
| Mating Pin Diameter                             | .64 mm[.025 in]                        |
| Contact Type                                    | Socket                                 |
| Wire Contact Termination Area Plating Thickness | 1.27 $\mu$ m[50 $\mu$ in]              |
| Wire Contact Termination Area Plating Material  | Tin                                    |
| Contact Mating Area Plating Material Thickness  | .76 $\mu$ m[29.92 $\mu$ in]            |
| Contact Mating Area Plating Material            | Gold, Gold Flash over Palladium Nickel |
| Contact Shape & Form                            | Tuning Fork                            |
| Contact Underplating Material                   | Nickel                                 |
| Contact Base Material                           | Phosphor Bronze                        |
| Contact Current Rating (Max)                    | 1 A                                    |

### Termination Features

|   |                               |
|---|-------------------------------|
| Termination Method to Wire & Cable          | Insulation Displacement (IDC) |
| Termination Method to Printed Circuit Board | Through Hole - Solder         |

### Mechanical Attachment

|                         |                            |
|-------------------------|----------------------------|
| Mating Alignment        | With                       |
| PCB Mount Alignment     | Without                    |
| Panel Mount Feature     | Without                    |
| PCB Mount Retention     | Without                    |
| Mating Alignment Type   | Polarization               |
| Mating Retention        | Without                    |
| Connector Mounting Type | Cable Mount (Free-Hanging) |

### Housing Features

|                    |                |
|--------------------|----------------|
| Housing Material   | Thermoplastic  |
| Centerline (Pitch) | 2.54 mm[.1 in] |

### Dimensions

|                  |                   |
|------------------|-------------------|
| Connector Length | 29.97 mm[1.18 in] |
| Connector Height | 15.16 mm[.597 in] |
| Connector Width  | 7.49 mm[.295 in]  |



|                                      |                               |
|--------------------------------------|-------------------------------|
| Wire Size                            | .08 – .15 mm <sup>2</sup>     |
| Compatible Insulation Diameter Range | .79 – .94 mm [.031 – .037 in] |
| Row-to-Row Spacing                   | 2.54 mm [.1 in]               |

### Usage Conditions

|                             |                             |
|-----------------------------|-----------------------------|
| Operating Temperature Range | -65 – 105 °C [-85 – 221 °F] |
|-----------------------------|-----------------------------|

### Operation/Application

|                     |        |
|---------------------|--------|
| Circuit Application | Signal |
|---------------------|--------|

### Industry Standards

|                        |                       |
|------------------------|-----------------------|
| UL Rating              | Recognized            |
| Agency/Standard        | CSA, UL               |
| Approved Standards     | CSA LR7189, UL E28476 |
| UL Flammability Rating | UL 94V-0              |

### Packaging Features

|                    |                  |
|--------------------|------------------|
| Packaging Quantity | 50               |
| Packaging Method   | Box & Tube, Tube |

### Product Compliance

[For compliance documentation, visit the product page on TE.com>](#)

|   |   |
|---|---|
| EU RoHS Directive 2011/65/EU                  | Compliant   |
| EU ELV Directive 2000/53/EC                   | Compliant   |
| China RoHS 2 Directive MIIT Order No 32, 2016 | No Restricted Materials Above Threshold   |
| EU REACH Regulation (EC) No. 1907/2006        | Current ECHA Candidate List: JUNE 2023 (235)<br>Candidate List Declared Against: JUNE 2023 (235)<br>Does not contain REACH SVHC |
| Halogen Content                               | Not Low Halogen - contains Br or Cl > 900 ppm.  |
| Solder Process Capability                     | Not applicable for solder process capability  |

#### Product Compliance Disclaimer

This information is provided based on reasonable inquiry of our suppliers and represents our current actual knowledge based on the information they provided. This information is subject to change. The part numbers that TE has identified as EU RoHS compliant have a maximum concentration of 0.1% by weight in homogenous materials for lead, hexavalent chromium, mercury, PBB, PBDE, DBP, BBP, DEHP, DIBP, and 0.01% for cadmium, or qualify for an exemption to these limits as defined in the Annexes of Directive 2011/65/EU (RoHS2). Finished electrical and electronic equipment products will be CE marked as required by Directive 2011/65/EU. Components may not be CE marked. Additionally, the part numbers that TE has identified as EU ELV compliant have a maximum concentration of 0.1% by weight in homogenous

materials for lead, hexavalent chromium, and mercury, and 0.01% for cadmium, or qualify for an exemption to these limits as defined in the Annexes of Directive 2000/53/EC (ELV). Regarding the REACH Regulation, the information TE provides on SVHC in articles for this part number is based on the latest European Chemicals Agency (ECHA) 'Guidance on requirements for substances in articles' posted at this URL: <https://echa.europa.eu/guidance-documents/guidance-on-reach>

## Compatible Parts




TE Part # CAT-AM74-UN384H  
AMP-LATCH UNIVERSAL HEADERS



TE Part # 499252-2  
020 STRAIN RELIEF A-L RCPT



TE Part # 5088450-5  
PULL LOOP, CUT LENGTH .88 IN



TE Part # 5103310-5  
A/L LOW PRO HDR 20P RA BLACK



TE Part # 5103311-5  
A/L LOW PRO HDR 20P RA BLACK



TE Part # 5103309-5  
A/L LOW PRO HDR 20P VERT BLACK



TE Part # 5103308-5  
A/L LOW PRO HDR 20P VERT BLACK



TE Part # 1-111446-8  
020 UNIV I/O 30DP NO EARS



TE Part # 1-111504-7  
020 UNIV I/O 30DP NO EARS LTCH



TE Part # 5104338-4  
A/L LOW PRO HDR 20P VERT HT



TE Part # 5111448-4  
020 UNIV I/O 30DP SLOT



TE Part # 1-111494-8  
020 UNIV I/O 30DP SLOT LTCH



TE Part # 5104340-4  
A/L LOW PRO HDR 20P RA HT GRAY



TE Part # 768340-1  
UNIV HAND TOOL KIT AMPLATCH

Also in the Series | **AMP-LATCH - NOVO**



Ribbon Cable Connectors(46)

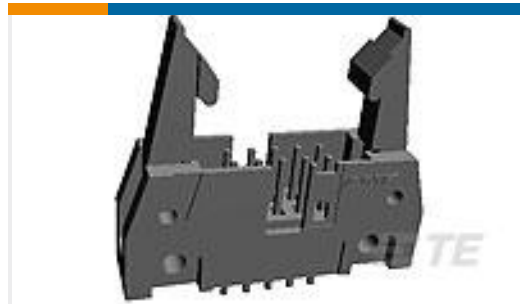


Ribbon Connector Accessories(10)

## Customers Also Bought



TE Part #1-796329-1  
23-57 CPC PSTD SKT RECPT LF



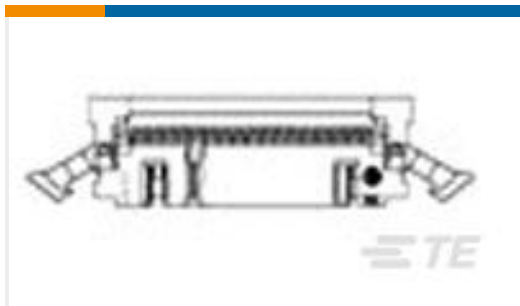
TE Part #5499923-4  
A/L UNIV HDR 20P VERT LG LAT



TE Part #2213932-2  
SMT TB R/A HEADER, 3.5MM, 2 POS



TE Part #5103309-5  
A/L LOW PRO HDR 20P VERT BLACK



TE Part #1-111504-7  
020 UNIV I/O 30DP NO EARS LTCH



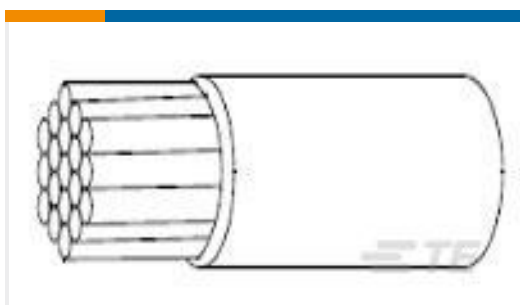
TE Part #7-2176089-0  
RP 1J 0.166W 60K4 0.1% 25PPM 1K RL



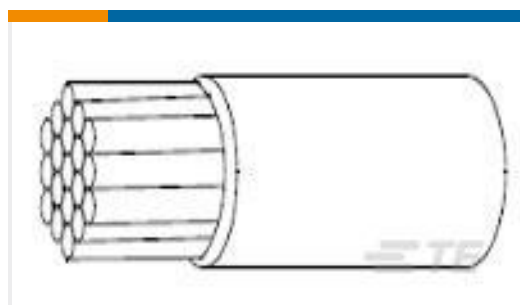
TE Part #4-1418506-2  
MCP6,3 RECEPTACLE HOUSING 2POS



TE Part #2-1658015-2  
MSB0.80PL11ASY080FL,-,10,-TY



TE Part #602695-002  
55A0112-22-2



TE Part #452932-000  
55A0112-22-7

## Documents

### Product Drawings

20 NOVO DUAL 30DP, LEAD FREE

English

### CAD Files

Customer View Model

ENG\_CVM\_CVM\_1658624-4\_D.2d\_dxf.zip

English

3D PDF



3D

Customer View Model

[ENG\\_CVM\\_CVM\\_1658624-4\\_D.3d\\_igs.zip](#)

English

Customer View Model

[ENG\\_CVM\\_CVM\\_1658624-4\\_D.3d\\_stp.zip](#)

English

By downloading the CAD file I accept and agree to the [Terms and Conditions](#) of use.

---

### Datasheets & Catalog Pages

[Ribbon Cable Interconnect Solutions](#)

English

---

### Product Specifications

[Application Specification](#)

English

---

### Instruction Sheets

[Instruction Sheet \(U.S.\)](#)

English

---

### Agency Approvals

[Agency Approval Document](#)

English