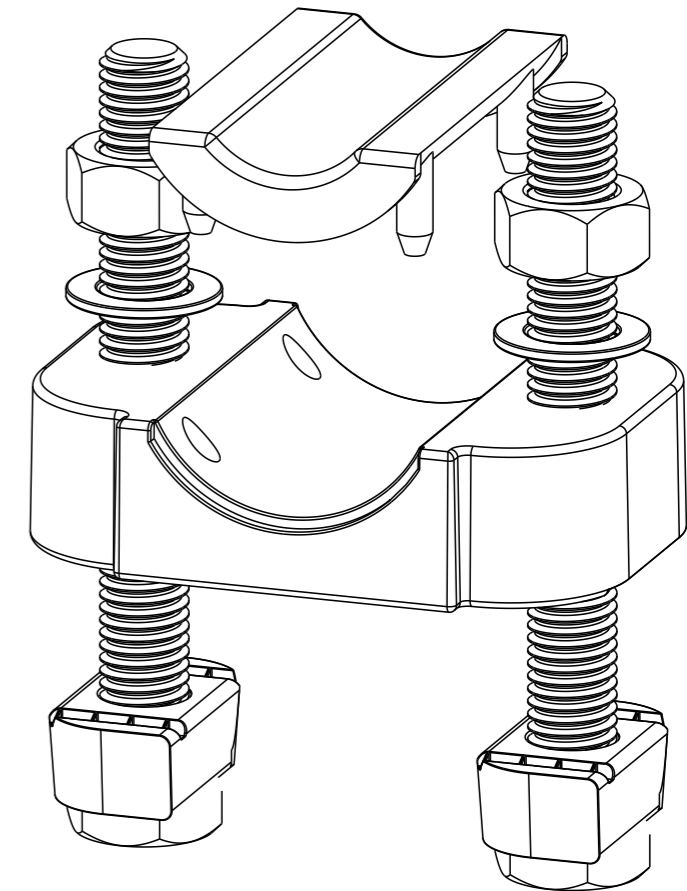
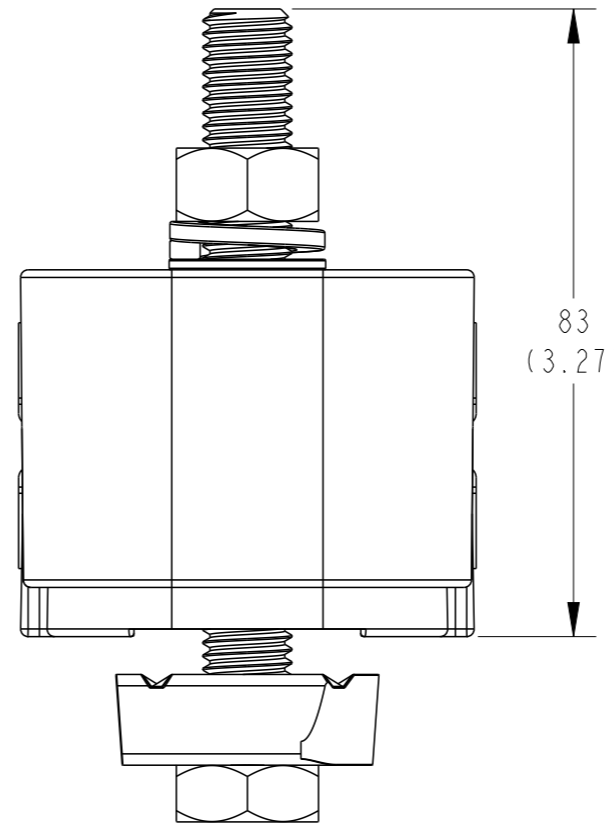
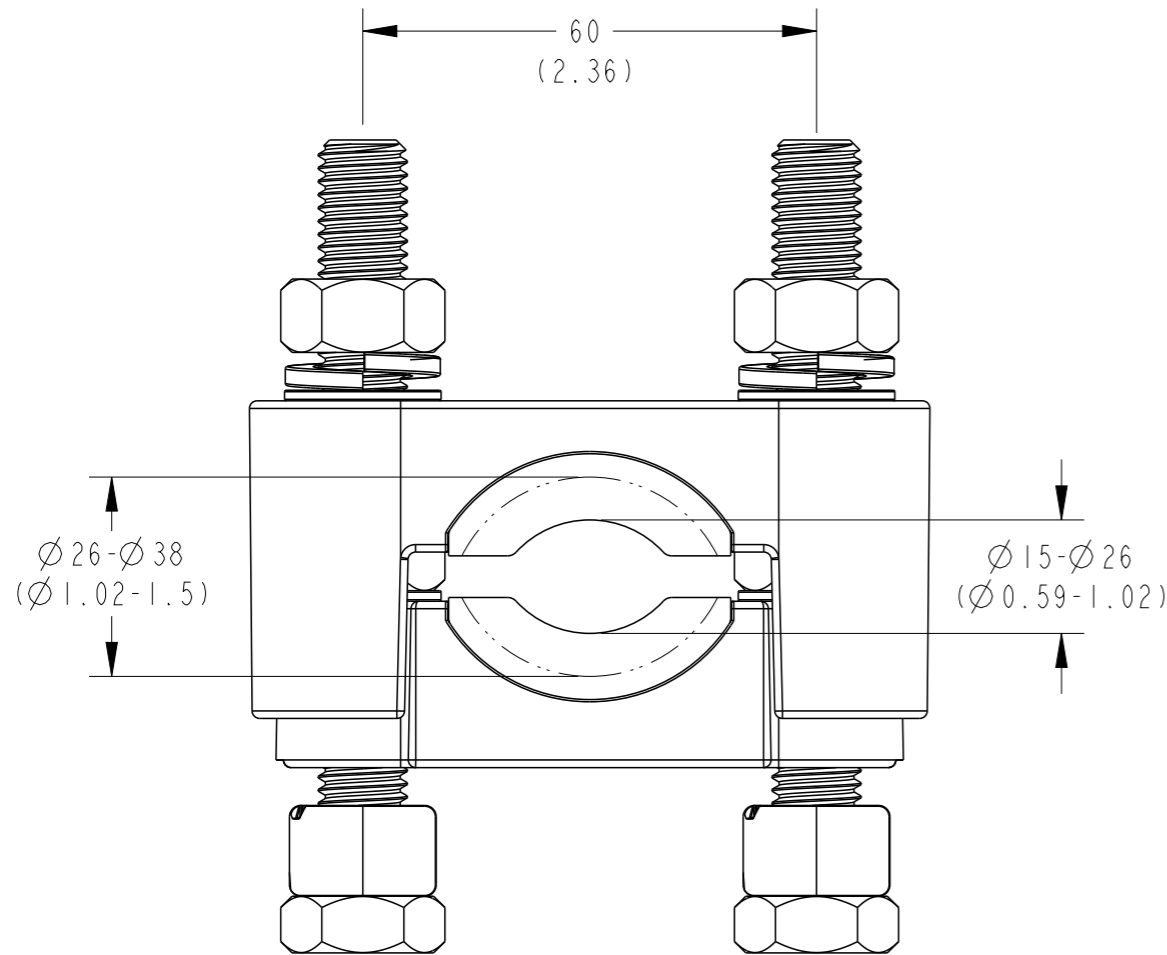
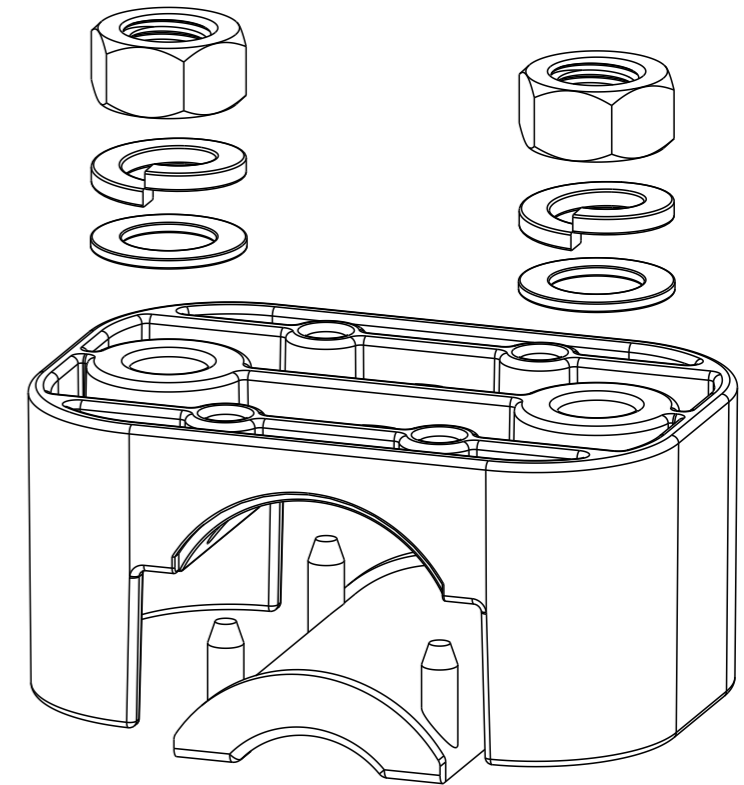


PART NO.	CATALOGUE NO.	REFERENCE NO.
EJ2738-000	CC15-26-SN-M10	—
EJ2739-000	CC15-26-SN-M12	—
CV8200-000	CC26-38-SN-M10	TAP10908
EF8402-000	CC26-38-SN-M12	—



LOC	—	3	CC15-26-SN-M10 & M12 ADDED TO TABLE	4/5/2016	DG	AT	IMPLIED NOTES BURRS AND SHARP EDGES REMOVED SCREW THREADS ARE TO AS 1275 DO NOT WORK TO DIMS MARKED REF SURFACE FINISH 6.3 U.N.O. DIMS ARE IN mm. DO NOT SCALE	IMPLIED TOLERANCES HOLE DIA AND LOCATIONS: ±0.5mm DIMENSIONS UP TO 30mm: ±1.5mm DIMENSIONS OVER 30mm: ±5% UP TO A MAX OF: ±5mm ANGULAR DIMENSIONS: ±5°	TCPN REFER TABLE PART Alias UTX/DUL REFER TABLE Cat No REFER TABLE	TITLE CABLE CLEAT Ø15-26 & Ø26-38 STRUT NUT M10 & M12						
DIST	D5	2	CC26-38-SN-M12 ADDED TO TABLE	19-02-2015	MB	AT				DRAWN RN	DATE 23-04-2014	TE Connectivity 2/3 Corella Close Berkeley Vale NSW 2261 Australia				
POS	REV	1	NEW RELEASE	23-04-2014	RN	AT	MATERIAL DESC -	CHECKED RN	APPROVED AT	SIZE A3	PROJECTION 3RD ANGLE			SCALE 1:1	DRAWING NO AU29452	SHEET 1
REVISION RECORD			DATE	DWN	APVD	MATERIAL NO	MATL SPEC/STD/DRG NO	PROCESS SPEC HEAT TREAT/PLATING NO	SIZE	PROJECTION	SCALE	DRAWING NO	SHEET	OF	REV	