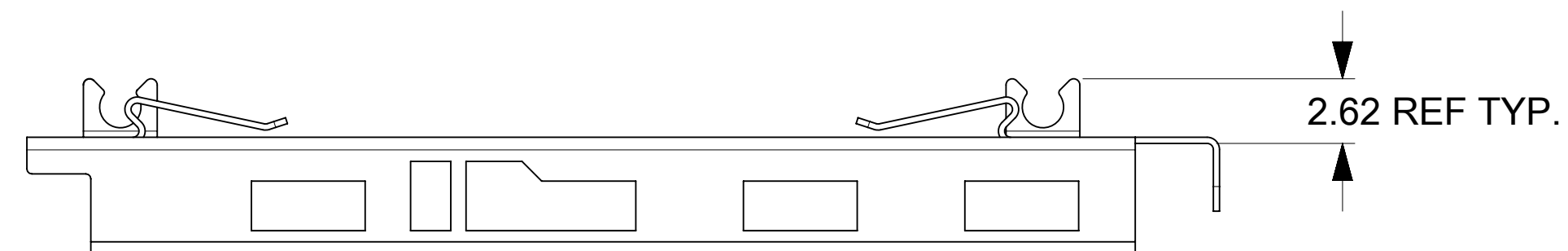
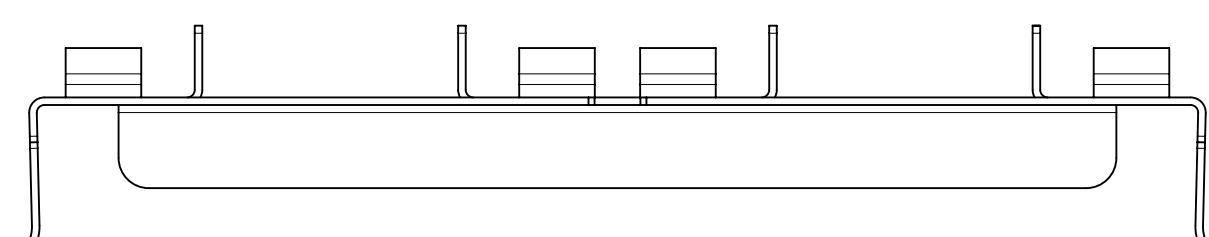
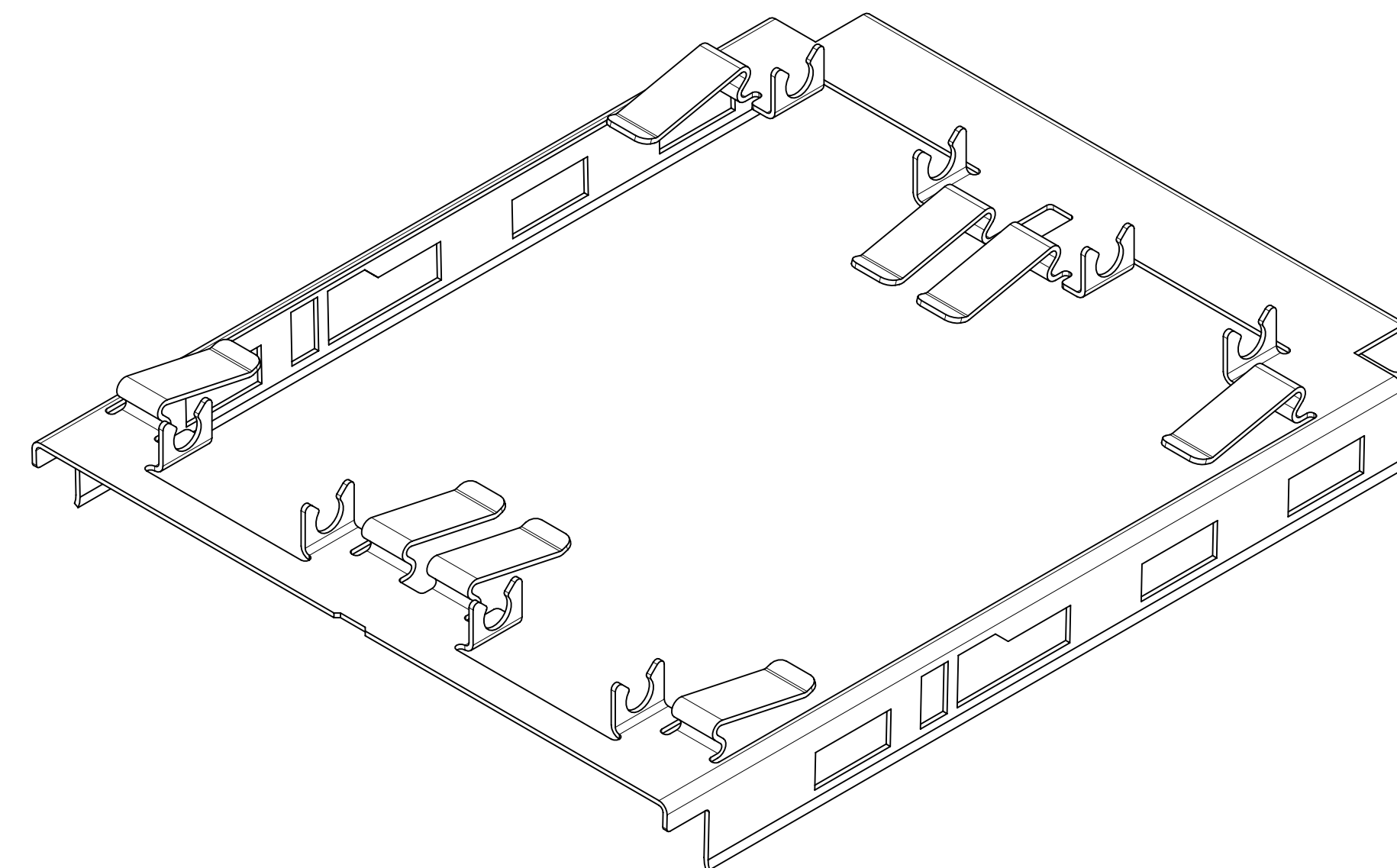
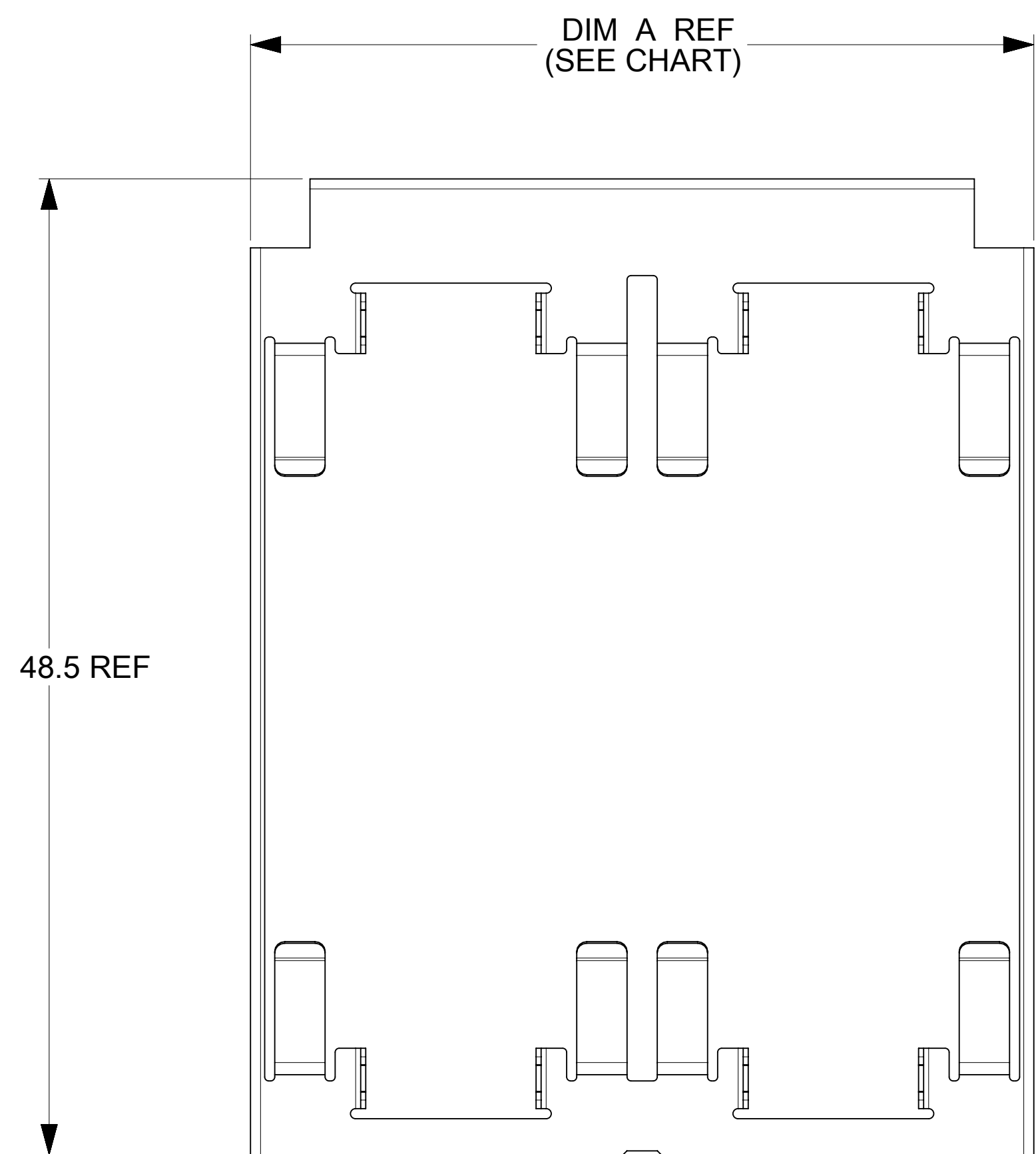


HEAT SINK CLIP W/OUT LIGHT PIPE(1X2 SHOWN)



MOLEX P/N	PORT SIZE	DIM A
747830262	1X2	38.9
747830363	1X3	57.9
747830462	1X4	76.9
747830562	1X5	95.9
747830662	1X6	114.9

NOTES:

1. MATERIAL: STAINLESS STEEL
2. PACKAGING: TRAY
3. NO RoHS EXEMPTIONS

THIS DRAWING CONTAINS INFORMATION THAT IS PROPRIETARY TO MOLEX ELECTRONIC TECHNOLOGIES, LLC AND SHOULD NOT BE USED WITHOUT WRITTEN PERMISSION AS PER PCN#509457.

DIMENSION UNITS: mm SCALE: 4:1

GENERAL TOLERANCES (UNLESS SPECIFIED)

	MM	INCH
4 PLACES	±	±
3 PLACES	±	±
2 PLACES	± 0.15	±
1 PLACE	± 0.25	±
0 PLACES	±	±
ANGULAR TOL	± 0.5 °	

CURRENT REV DESC: OBSOLETE PART NUMBER AS PER PCN#509457.

EC NO: 680890
 DRWN: SANTHN 2021/07/20
 CHK'D: STTAN 2021/11/25
 APPR: STTAN 2021/11/25
 INITIAL REVISION:
 DRWN: BSWAJA 2012/02/09
 APPR: KLOYD 2012/02/16

molex

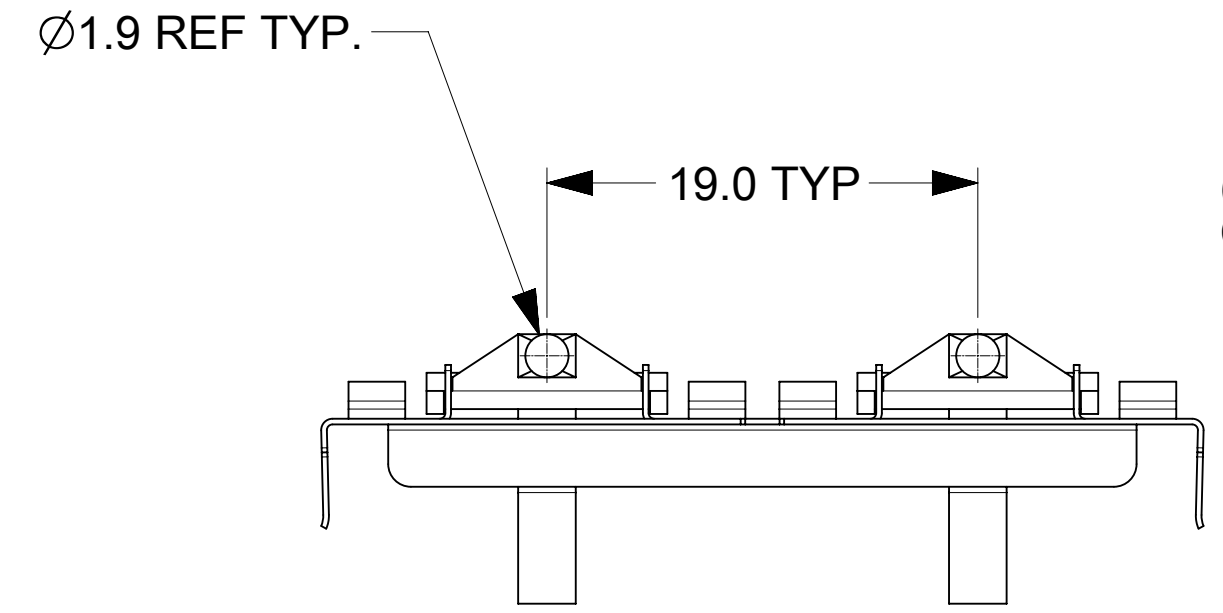
1X2, 1X3, 1X4, 1X5, 1X6
 QSFP+ HEAT SINKS AND CLIP ASSEMBLIES

PRODUCT CUSTOMER DRAWING

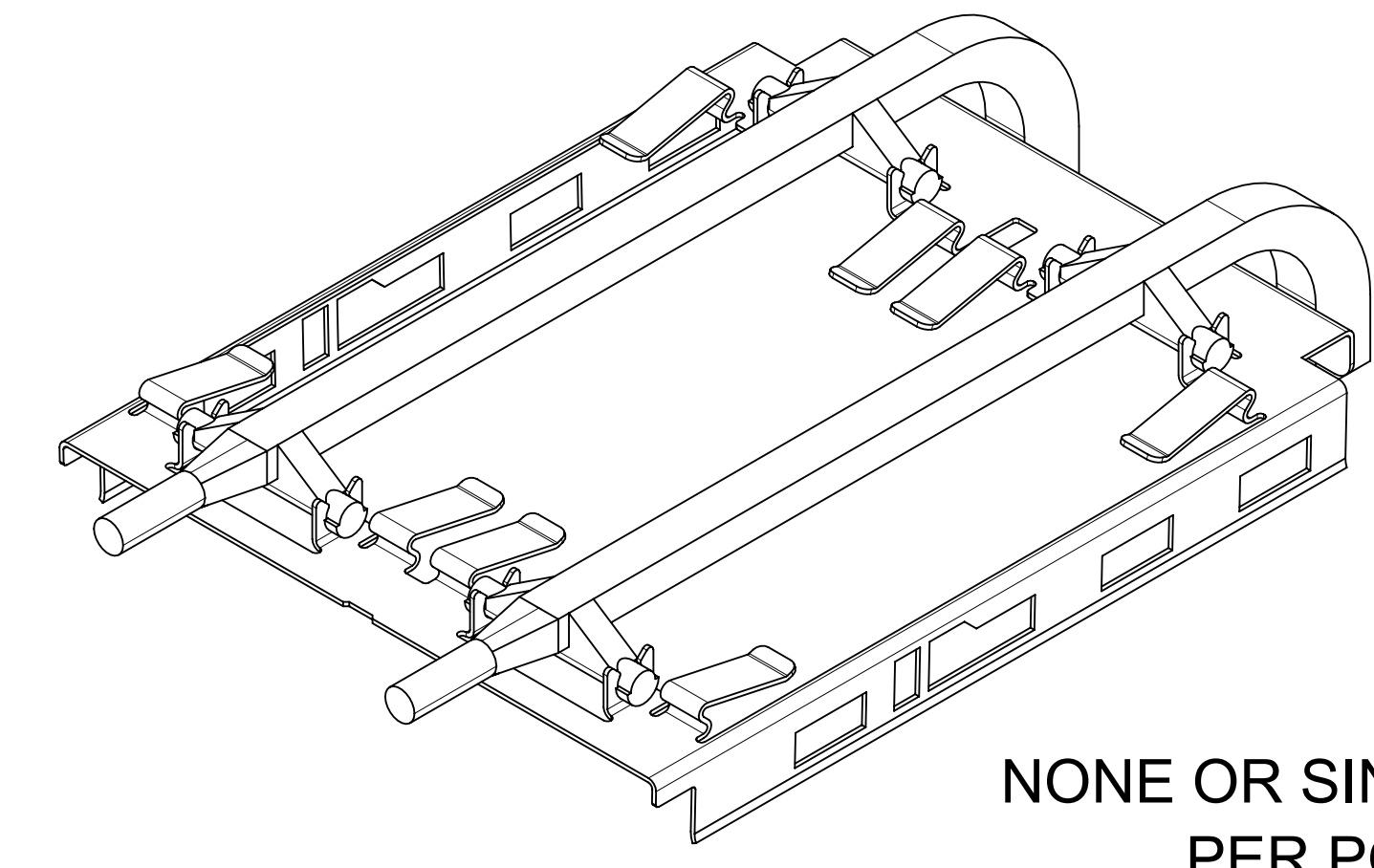
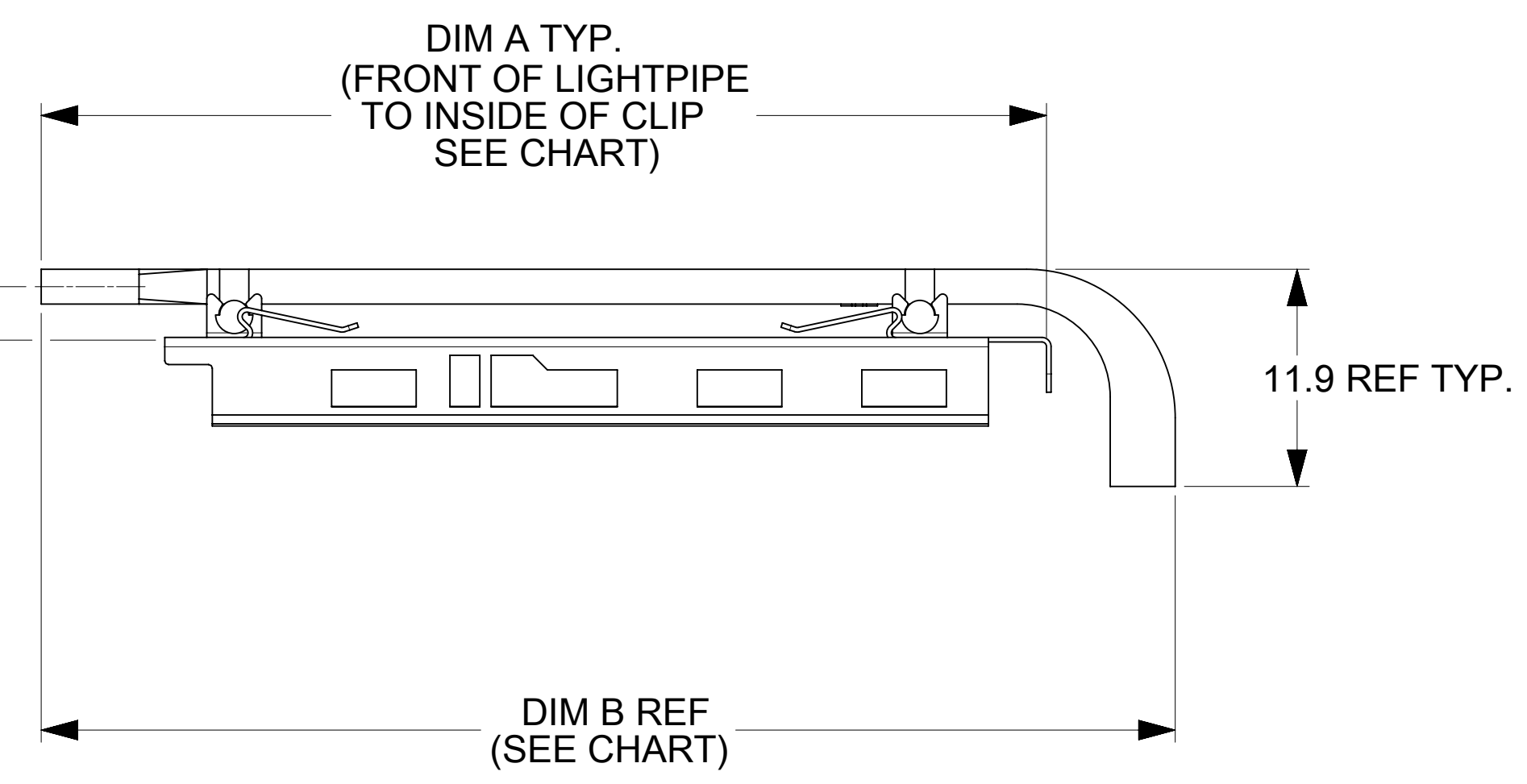
DOCUMENT NUMBER	DOC TYPE	DOC PART	REVISION
SD-74767-0400	PSD	001	G

DRAFT WHERE APPLICABLE MUST REMAIN WITHIN DIMENSIONS	THIRD ANGLE PROJECTION	DRAWING	SERIES	MATERIAL NUMBER	CUSTOMER	SHEET NUMBER
		D-SIZE	74767	SEE TABLE	GENERAL MARKET	1 OF 5

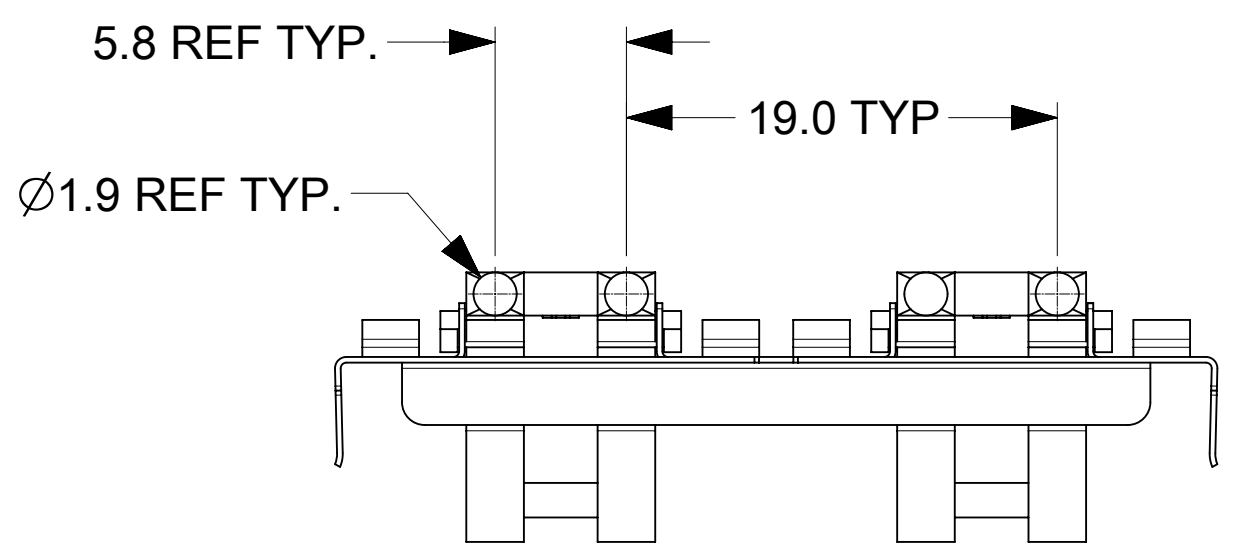
HEAT SINK CLIP W/ LIGHT PIPE (1X2 SHOWN)



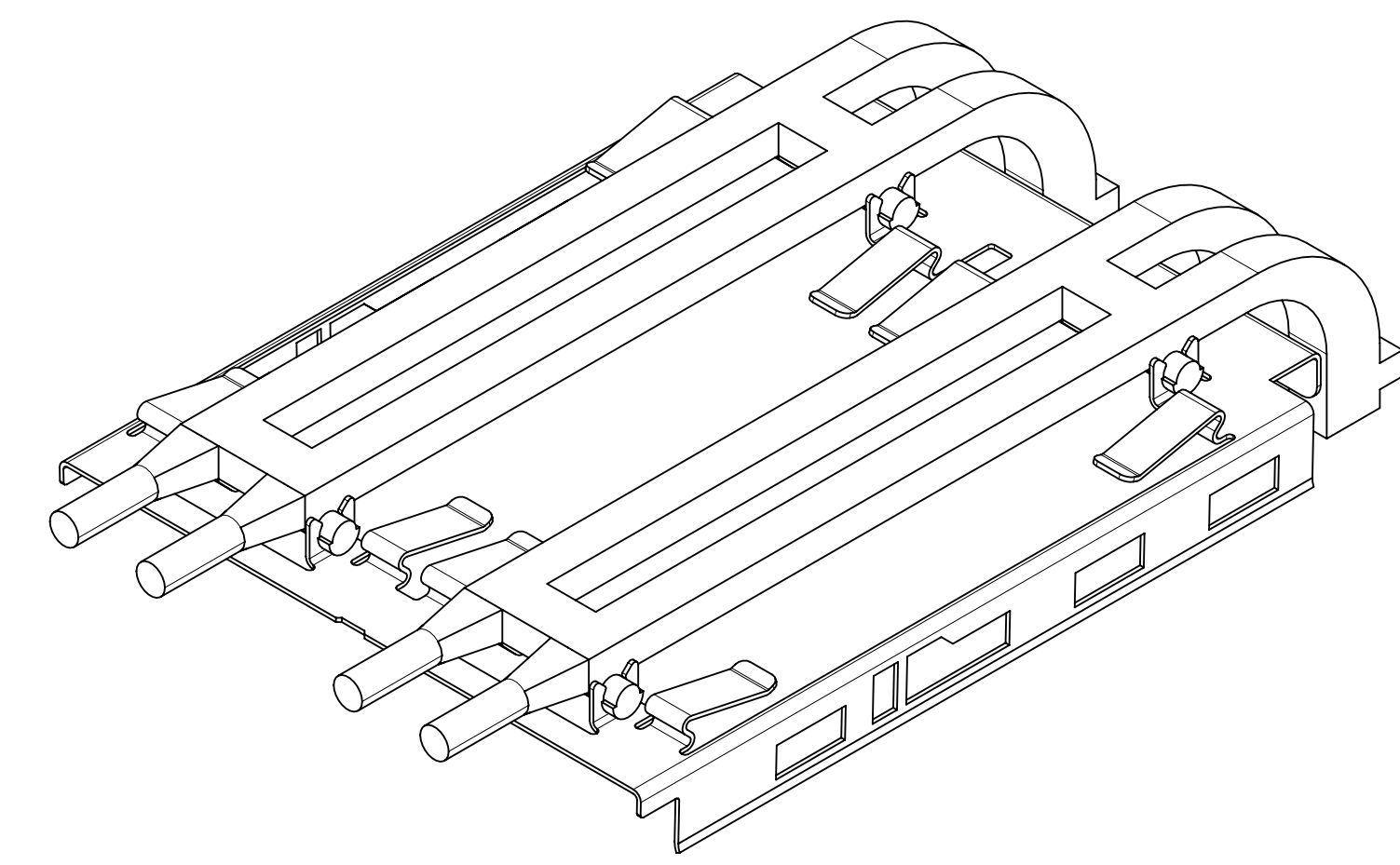
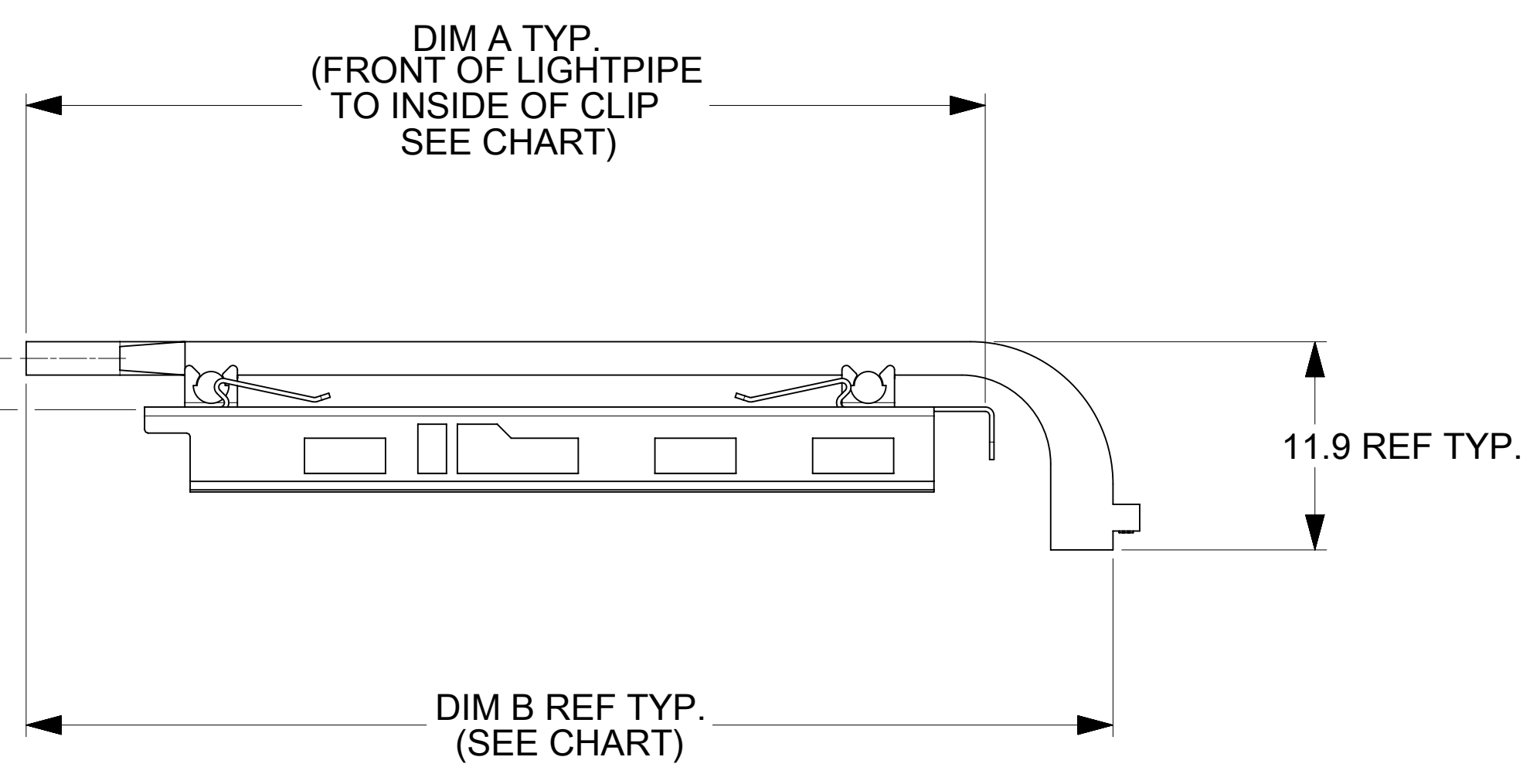
3.0 TYP
(INSIDE OF CLIP TO
CENTER OF LIGHT PIPE)



NONE OR SINGLE LIGHT PIPE
PER PORT
(747670403 SHOWN)



3.0 TYP
(INSIDE OF CLIP TO
CENTER OF LIGHT PIPE)



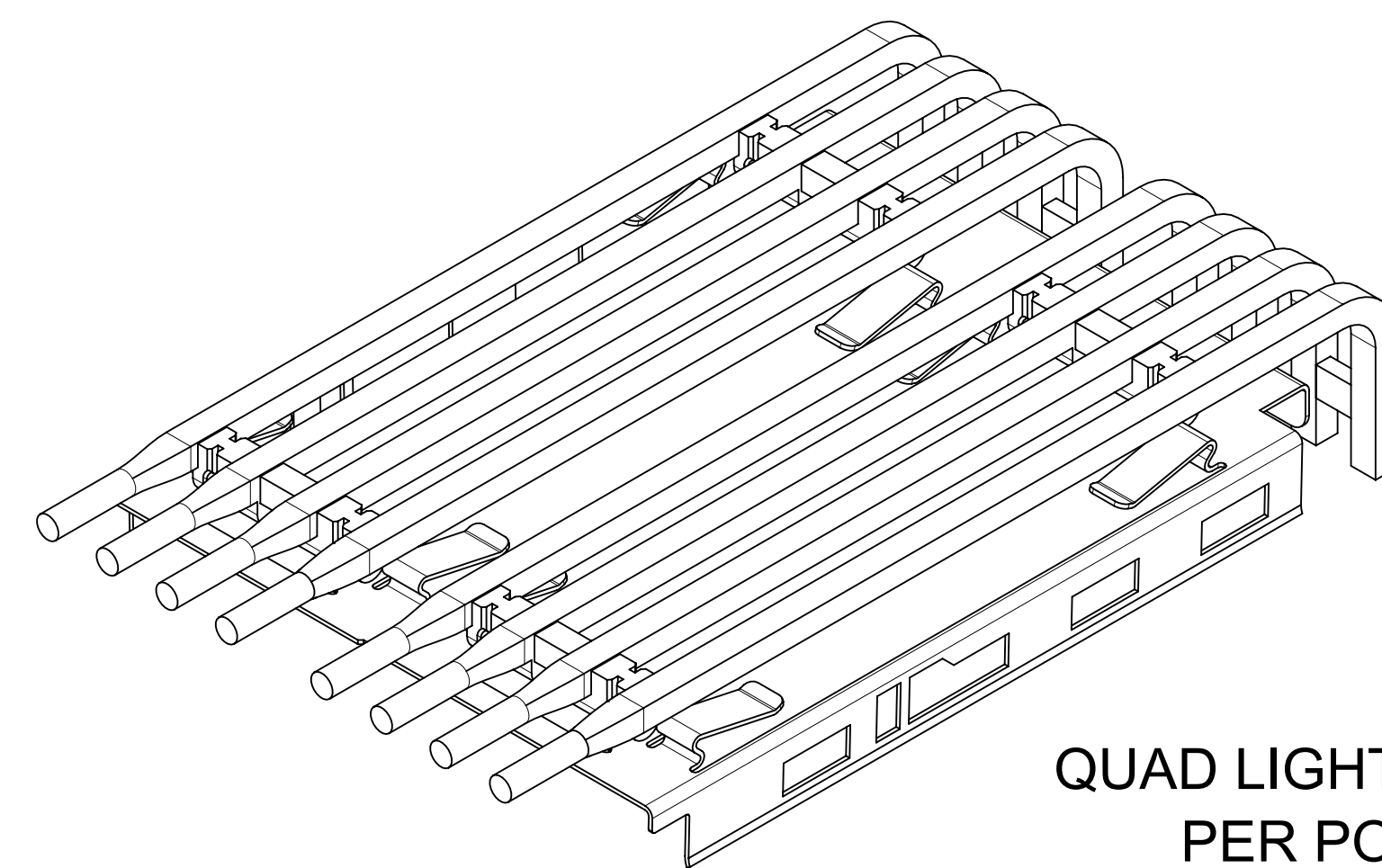
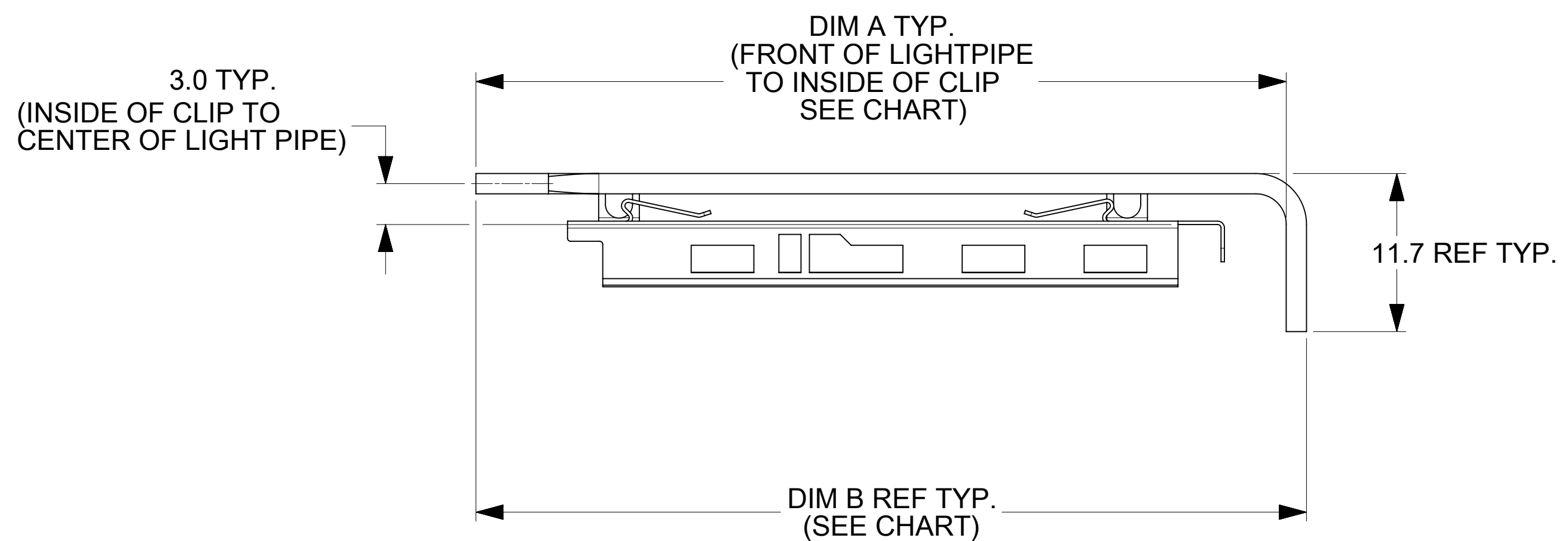
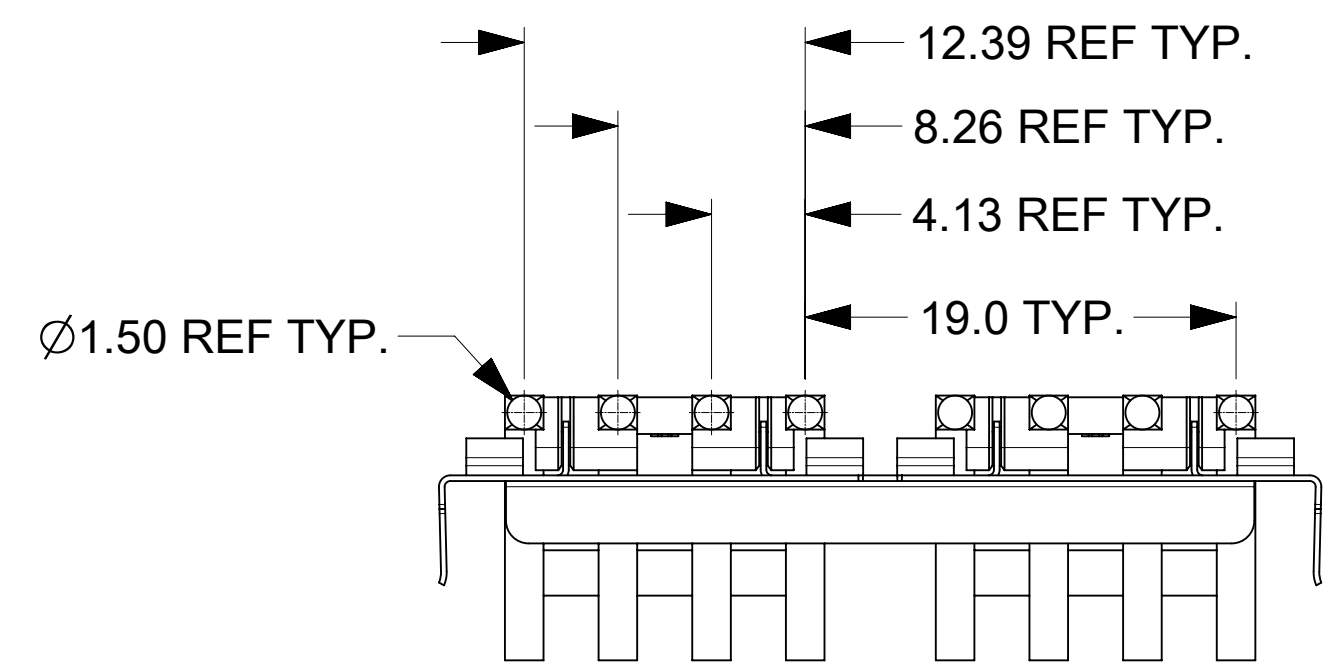
DUAL LIGHT PIPES
PER PORT
(747670404 SHOWN)

NOTES:

- MATERIALS:
LIGHT PIPE CLIP: STAINLESS STEEL
LIGHT PIPE: POLYCARBONATE (94-V0 RATED)
- PACKAGE: TRAY
- RECOMMENDED LED'S INCLUDE THE FOLLOWING MANUFACTURERS:
DIALIGHT: 597-77X1-5XX SERIES
CHICAGO MINIATURE: 7016 SERIES
KINGBRIGHT: APBL3025 SERIES (BICOLOR)
APL3015 SERIES (SINGLE COLOR)
- NO RoHS EXEMPTIONS

SEE CHART ON SHEET 3 FOR PART NUMBERS AND CHARTED DIMENSIONS

THIS DRAWING CONTAINS INFORMATION THAT IS PROPRIETARY TO MOLEX ELECTRONIC TECHNOLOGIES, LLC AND SHOULD NOT BE USED WITHOUT WRITTEN PERMISSION											
DIMENSION UNITS mm		SCALE 3:1		CURRENT REV DESC: OBSOLETE PART NUMBER AS PER PCN#509457.				molex		1X2, 1X3, 1X4, 1X5, 1X6 QSFP+ HEAT SINKS AND CLIP ASSEMBLIES	
GENERAL TOLERANCES (UNLESS SPECIFIED)						EC NO: 680890					
		MM		INCH		DRWN: SANTHN 2021/07/20		DOCUMENT NUMBER		DOC TYPE	
4 PLACES ±		±		±		CHK'D: STTN 2021/11/25		SD-74767-0400		PSD	
3 PLACES ±		±		±		APPR: STTN 2021/11/25		001		G	
2 PLACES ±		0.15		±		INITIAL REVISION:		DOC PART		REVISION	
1 PLACE ±		0.25		±		DRWN: BSWAJA 2012/02/09		REVISION			
0 PLACES ±		±		±		APPR: KLOYD 2012/02/16		CUSTOMER		SHEET NUMBER	
ANGULAR TOL ±		0.5°		±		THIRD ANGLE PROJECTION		GENERAL MARKET		2 OF 5	
DRAFT WHERE APPLICABLE MUST REMAIN WITHIN DIMENSIONS		THIRD ANGLE PROJECTION		DRAWING		SERIES		MATERIAL NUMBER		CUSTOMER	
		D-SIZE		74767		SEE TABLE					



QUAD LIGHT PIPES
PER PORT
(747670406 SHOWN)

MOLEX PN CLIP & LP ASSEMBLY					DIM A	DIM B	LIGHT PIPES PER PORT
1X2	1X3	1X4	1X5	1X6			
747670403	747680403	747690403	747700403	747710403	55.0	62.0	NONE OR SINGLE
747670404	N/A	747690404	747700404	747710404	55.0	62.0	DUAL
747670406	N/A	N/A	N/A	N/A	55.0	61.3	QUAD

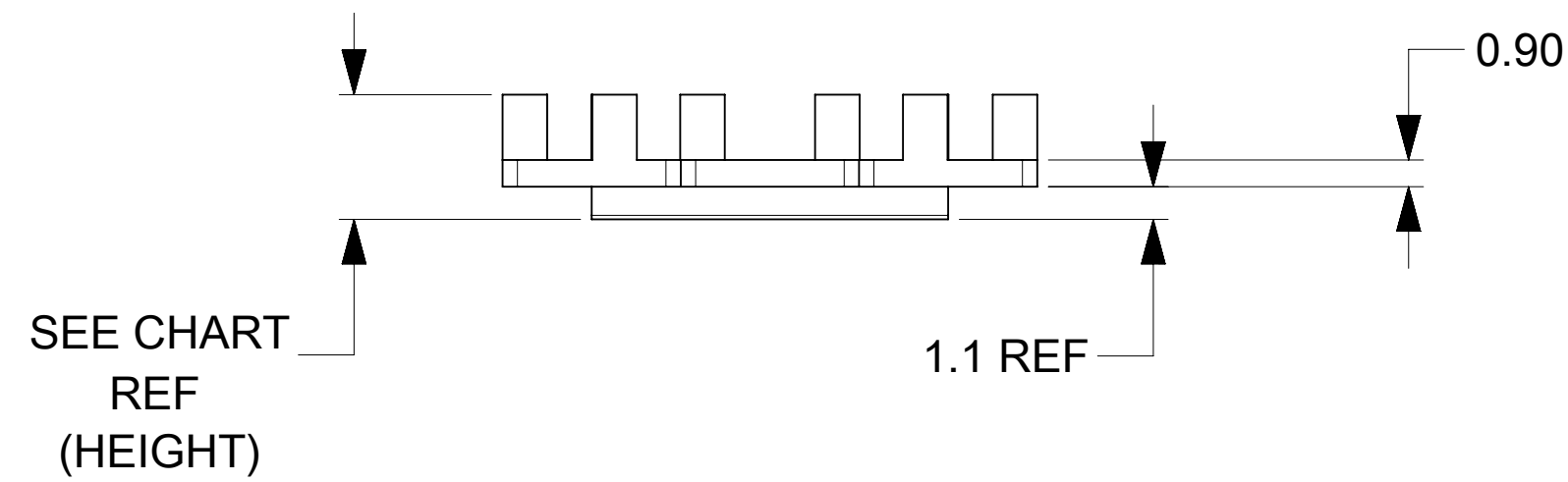
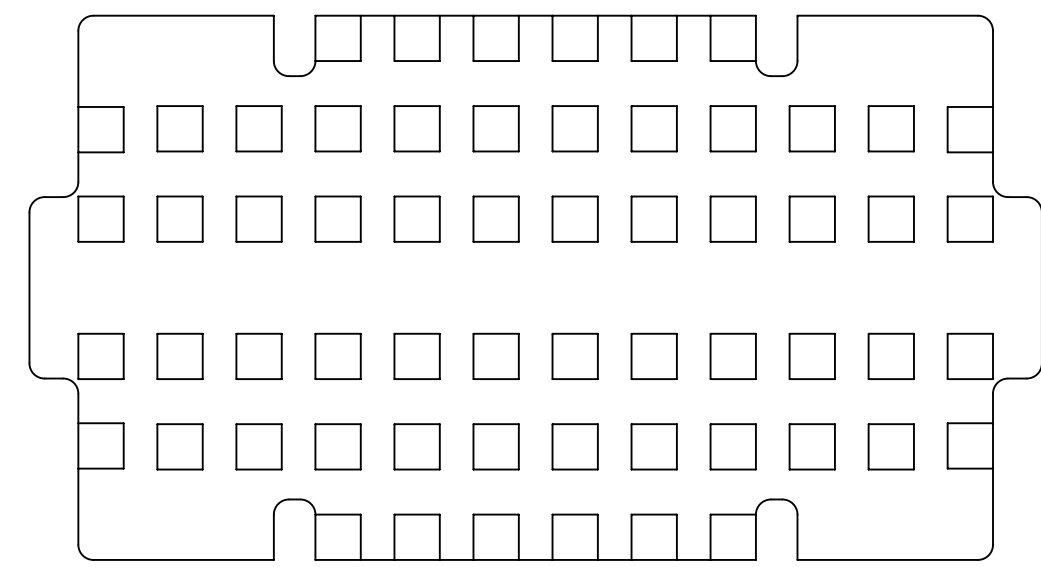
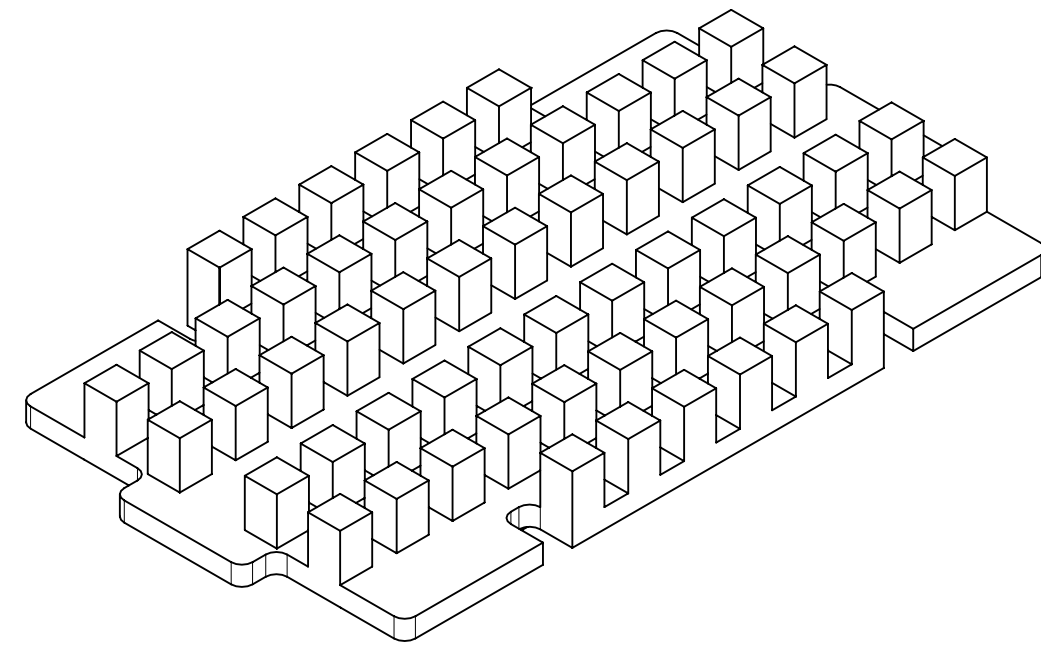
NOTES:

- MATERIALS:
LIGHT PIPE CLIP: STAINLESS STEEL
LIGHT PIPE: POLYCARBONATE (94-V0 RATED)
- PACKAGE: TRAY
- RECOMMENDED LED'S INCLUDE THE FOLLOWING MANUFACTURERS:
DIALIGHT: 597-77X1-5XX SERIES
CHICAGO MINIATURE: 7016 SERIES
KINGBRIGHT: APBL3025 SERIES (BICOLOR)
APL3015 SERIES (SINGLE COLOR)
- NO RoHS EXEMPTIONS

THIS DRAWING CONTAINS INFORMATION THAT IS PROPRIETARY TO MOLEX ELECTRONIC TECHNOLOGIES, LLC AND SHOULD NOT BE USED WITHOUT WRITTEN PERMISSION AS PER PCN#509457.

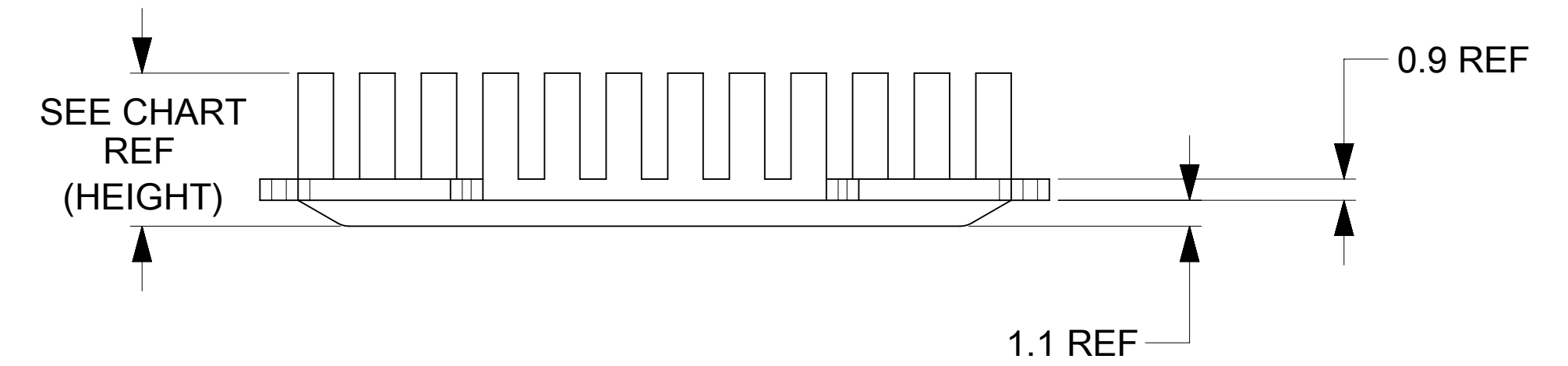
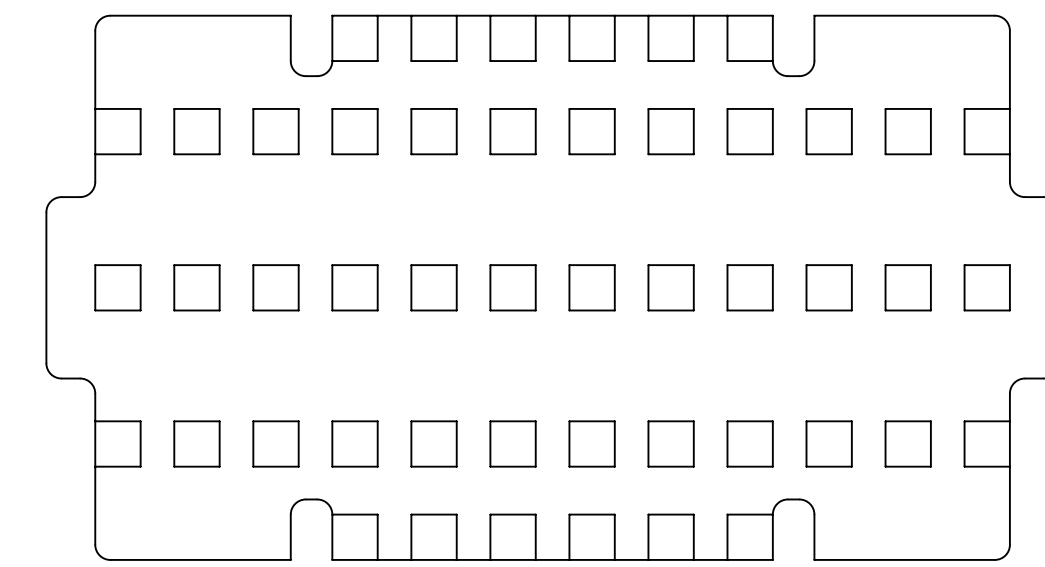
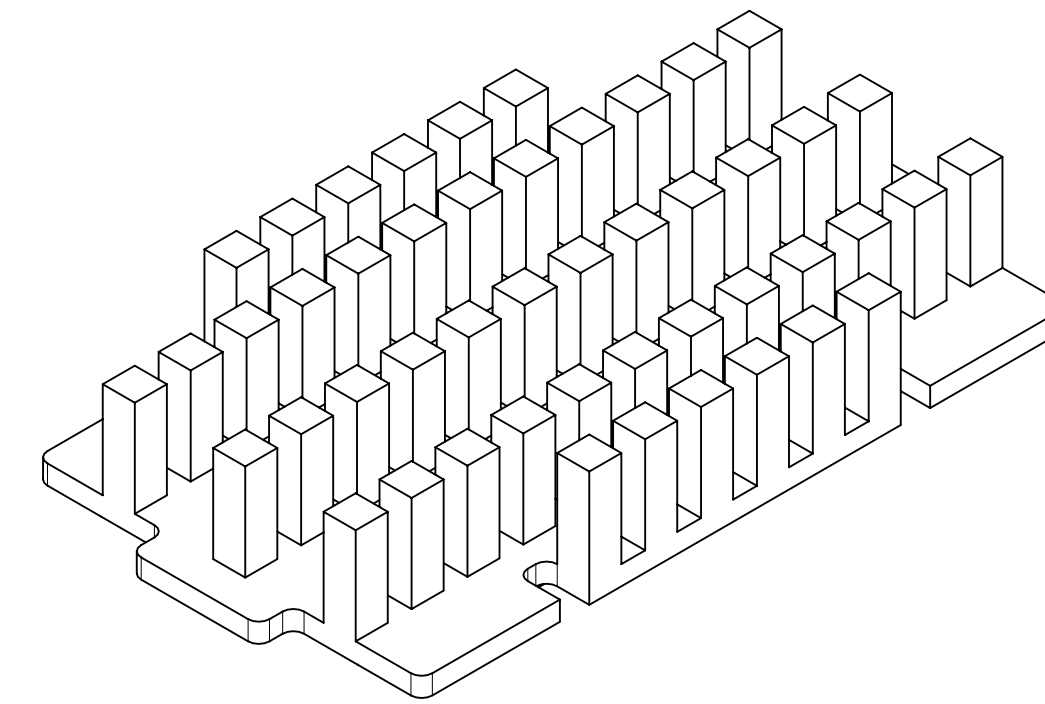
DIMENSION UNITS mm	SCALE 3:1	CURRENT REV DESC: OBSOLETE PART NUMBER AS PER PCN#509457.		molex	
GENERAL TOLERANCES (UNLESS SPECIFIED)		EC NO: 680890			
	MM	INCH	DRWN: SANTHN	2021/07/20	PRODUCT CUSTOMER DRAWING
4 PLACES	±	±	CHK'D: STTAN	2021/11/25	
3 PLACES	±	±	APPR: STTAN	2021/11/25	DOCUMENT NUMBER
2 PLACES	±	0.15	INITIAL REVISION:		SD-74767-0400
1 PLACE	±	0.25	DRWN: BSWAJA	2012/02/09	DOC TYPE
0 PLACES	±	±	APPR: KLOYD	2012/02/16	PSD
ANGULAR TOL	±	0.5 °			DOC PART
DRAFT WHERE APPLICABLE MUST REMAIN WITHIN DIMENSIONS	THIRD ANGLE PROJECTION		DRAWING	SERIES	001
			D-SIZE	74767	REVISION
			MATERIAL NUMBER	CUSTOMER	G
			SEE TABLE	GENERAL MARKET	SHEET NUMBER
					3 OF 5

NONE OR SINGLE LIGHT PIPES
PER PORT
(SAN HEIGHT - 747500314 SHOWN)



HEAT SINK

DUAL LIGHT PIPES
PER PORT
(SAN HEIGHT - 747500308 SHOWN)



MOLEX P/N			
NONE OR SINGLE LIGHT PIPE PER PORT	DUAL LIGHT PIPES PER PORT	SYSTEM TYPE	HEIGHT (mm)
747500314	747500315	PCI	4.2
-----	747500308	SAN	6.5
747500317	747500318	NET	13.5

NOTES:

1. MATERIAL:
HEAT SINKS: BLACK ANNOXIDIZED ALUMINUM
2. PACKAGE: TRAY
3. CUSTOM HEATSINKS AVAILABLE UPON REQUEST.
4. NO RoHS EXEMPTIONS

THIS DRAWING CONTAINS INFORMATION THAT IS PROPRIETARY TO MOLEX ELECTRONIC TECHNOLOGIES, LLC AND SHOULD NOT BE USED WITHOUT WRITTEN PERMISSION AS PER PCN#509457.

DIMENSION UNITS mm	SCALE 4:1	CURRENT REV DESC: OBSOLETE PART NUMBER AS PER PCN#509457.		molex			
GENERAL TOLERANCES (UNLESS SPECIFIED)		EC NO: 680890					
		DRWN: SANTHN 2021/07/20		PRODUCT CUSTOMER DRAWING			
4 PLACES ± ±		CHK'D: STTN 2021/11/25		DOCUMENT NUMBER			
3 PLACES ± ±		APPR: STTN 2021/11/25		DOC TYPE			
2 PLACES ± 0.15 ±		INITIAL REVISION:		DOC PART			
1 PLACE ± 0.25 ±		DRWN: BSWAJA 2012/02/09		REVISION			
0 PLACES ± ±		APPR: KLOYD 2012/02/16		SD-74767-0400			
ANGULAR TOL ± 0.5 °		DRAFT WHERE APPLICABLE MUST REMAIN WITHIN DIMENSIONS		MATERIAL NUMBER		CUSTOMER	
		THIRD ANGLE PROJECTION		SERIES		SHEET NUMBER	
		D-SIZE		74767		4 OF 5	
		SEE TABLE		GENERAL MARKET			

