

PRODUCT DESCRIPTION CODE :

10145030-1XXK LF

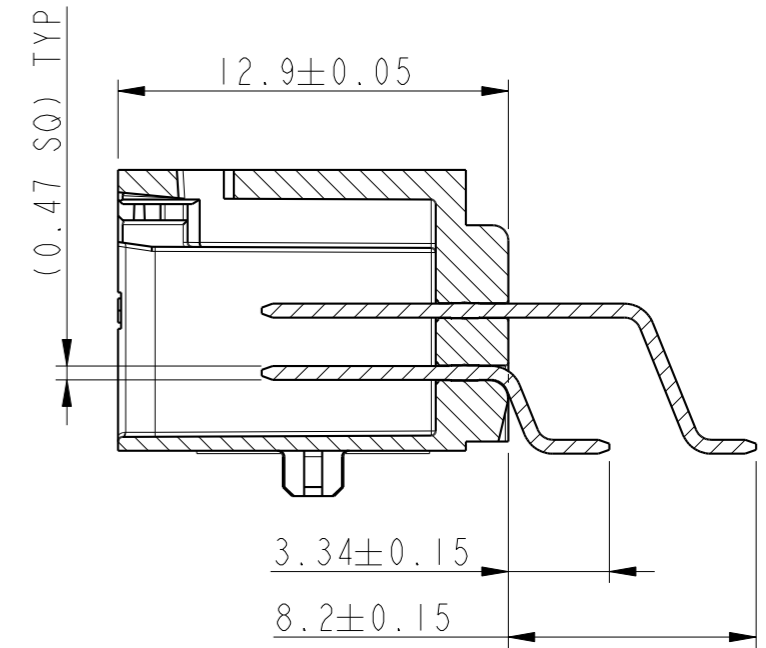
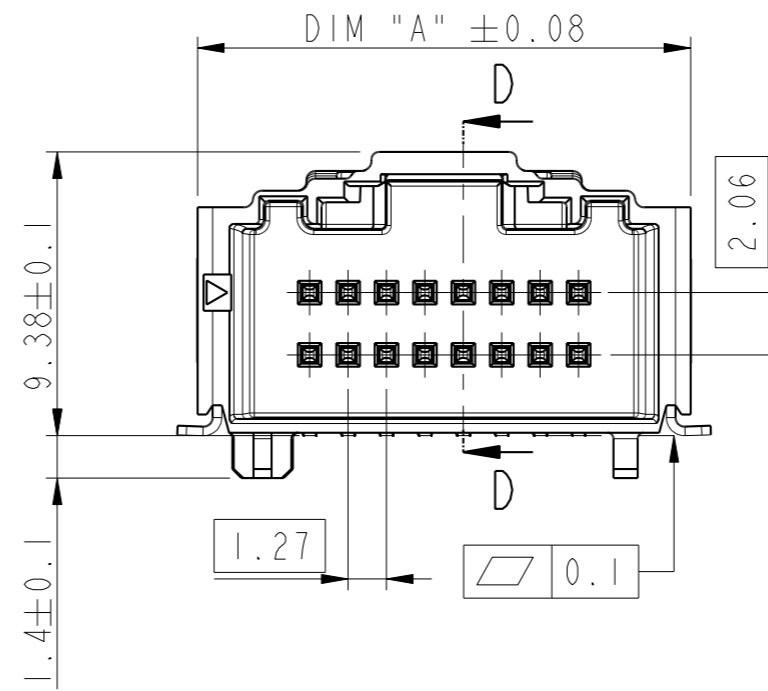
RoHS COMPATIBLE, SEE NOTE 3

FOR CUSTOMER CODE :  
BLANK = GENERAL USE

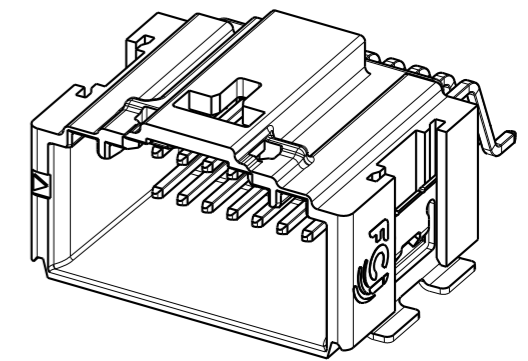
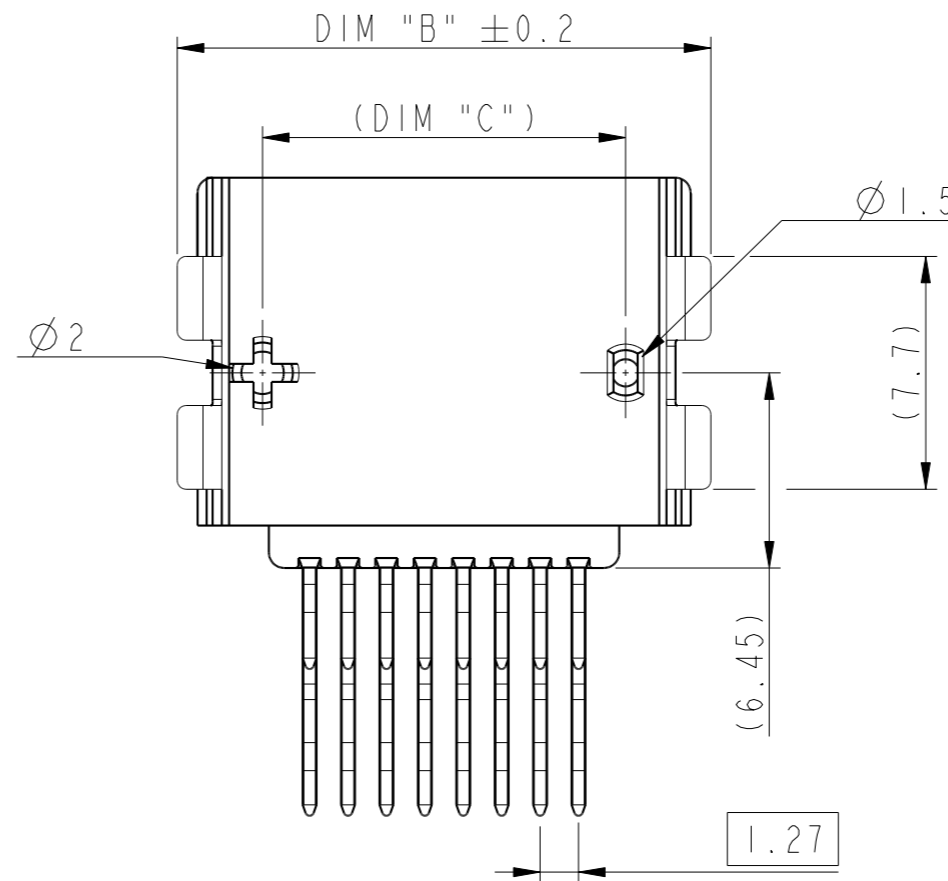
PACKAGING :  
K = TAPE & REEL

NUMBER OF POSITIONS : 10 TO 30

PLATING :  
1 = 3µm MIN MATTE TIN (PREPLATED)  
2 = 3µm MIN MATTE TIN (POST-PLATED)  
3 = 0.76µm MIN GOLD (CONTACT AREA)  
ALL OVER 1.27µm MIN NICKEL UNDERLAYER



SECTION D-D



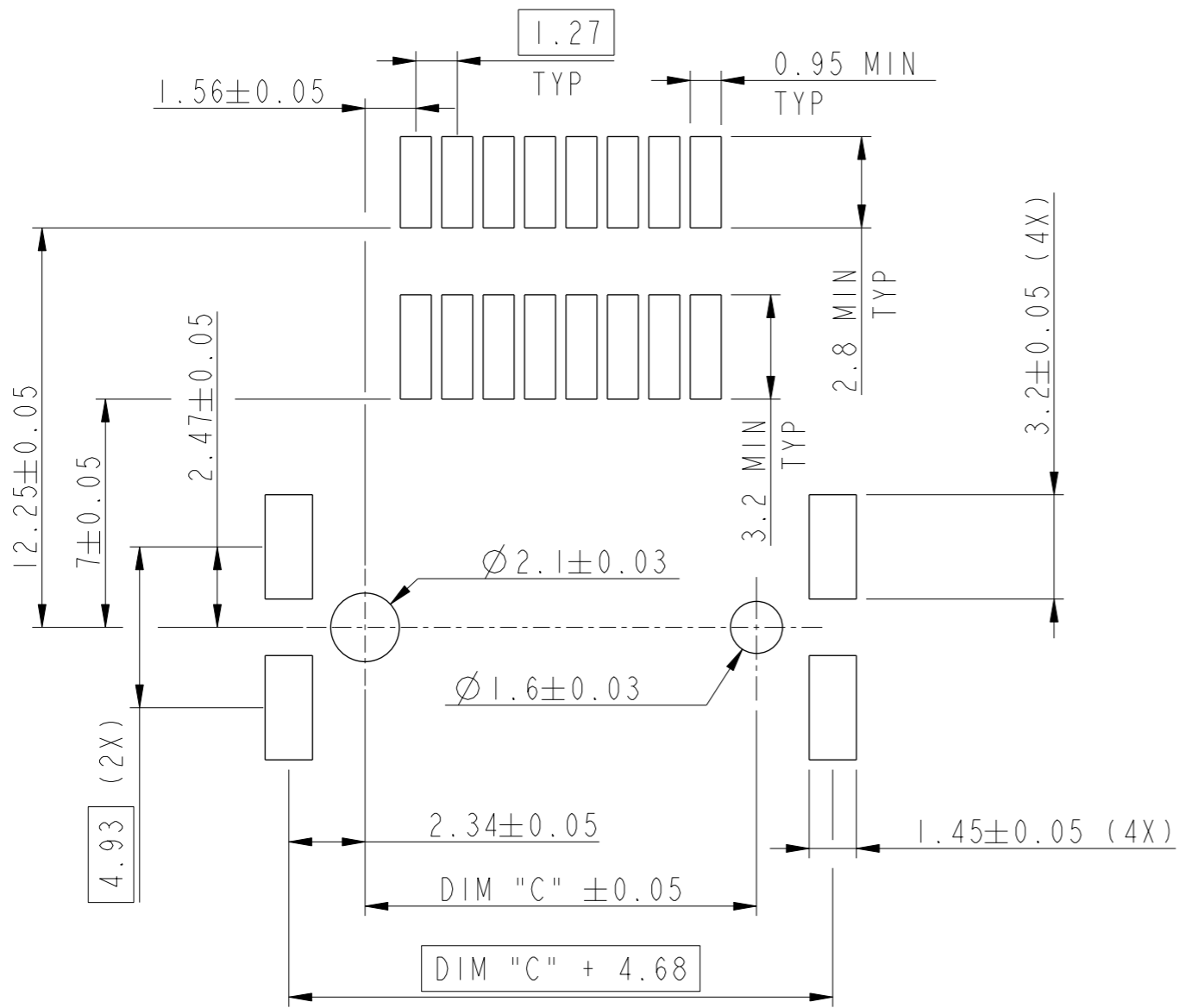
SCALE 3:1

NOTES:

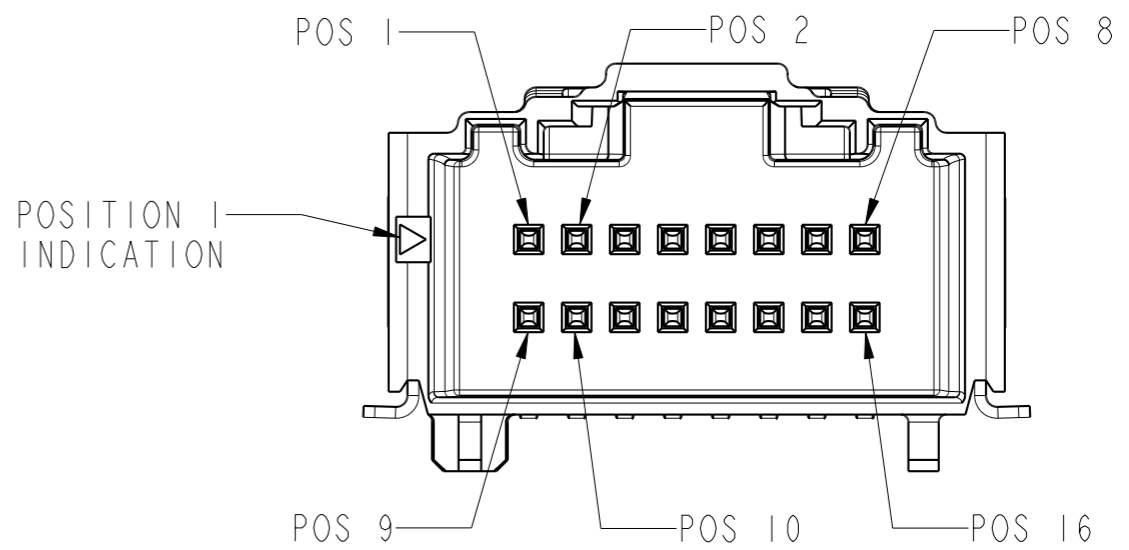
- 1 - MATERIAL:  
HOUSING : HIGH TEMPERATURE THERMOPLASTIC  
COLOR BLACK UL94 V-0  
PIN : HIGH CURRENT COPPER ALLOY
- 2 - TO BE MATED WITH MINITEK µSPACE RECEPTACLE SERIES 10145028
- 3 - RoHS COMPATIBLE PRODUCT SPECIFICATIONS
  - a - PLATING:  
"LF" MEANS THE PRODUCT IS LEAD FREE,  
3µm MINIMUM MATTE TIN OVER 1.27µm MINIMUM NICKEL UNDERPLATE.
  - b - MANUFACTURING PROCESS COMPATIBILITY:  
THE HOUSING WILL WITHSTAND EXPOSURE TO 260°C PEAK TEMPERATURE FOR 30 SECONDS MAX IN A CONVECTION, INFRA-RED OR VAPOR PHASE OR REFLOW OVEN.
  - c - LABELLING :  
MEETS PACKAGING SPECS AS PER GS-14-920
  - d - LEGAL STATEMENT :  
SEE GS-47-0004.
- 4 - PRODUCT SPECIFICATION : GS-12-1422  
APPLICATION SPECIFICATION : GS-20-0513  
PACKAGING SPECIFICATION : GS-14-2790

spec ref	-	dr	Sawanth, Ambaa	2018/11/01	projection	mm	size	A3	scale	4:1
tolerance std	ISO 406 ISO 1101	eng	Moisan, Gwenda	2022/08/18		← →	ecn no	ELX-F-45685-1		
TOLERANCES UNLESS OTHERWISE SPECIFIED		chr	Canque, Vincen	2022/08/18			rel level	Released		
surface	linear	appr	Vallière, Jérô	2022/08/19	product family	-	rel level	Released		
	angular	Amphenol FCI		HEADER ASSEMBLY		dwg no	10145030		rev	B
	0.X ±0.3	MINITEK µSPACE STS DR 1.27 TOP LATCH		cat. no.	-	Product - Customer Drw		sheet 1 of 2		
	0.XX ±0.10									
	0.XXX ±0.005									
	0° ±2°									

PART NO.	NO. OF POSN	DIM "A"	DIM "B"	DIM "C"
10145030-114KLF	14	15.03	16.36	10.73
10145030-116KLF	16	16.30	17.63	12.00
10145030-118KLF	18	17.57	18.90	13.27
10145030-120KLF	20	18.84	20.17	14.54
10145030-122KLF	22	20.11	21.44	15.81
10145030-124KLF	24	21.38	22.71	17.08
10145030-126KLF	26	22.65	23.98	18.35
10145030-128KLF	28	23.92	25.25	19.62
10145030-130KLF	30	25.19	26.52	20.89



RECOMMENDED PCB LAYOUT  
FOR SENCIL THICKNESS SEE APPLICATION SPEC



POSITION NUMBER INDICATION FOR 16POS

spec ref	-	dr	Sawanth, Ambaa	2018/11/01	projection	mm	size	A3	scale	5:1	
tolerance std	ISO 406 ISO 1101	eng	Moisan, Gwenda	2022/08/18			ecn no	ELX-F-45685-1			
TOLERANCES UNLESS OTHERWISE SPECIFIED		chr	Canque, Vincen	2022/08/18			rel level	Released			
surface	linear	appr	Vallière, Jérô	2022/08/19	product family	-	dwg no	10145030		rev	B
ISO 1302	angular	Amphenol FCi		HEADER ASSEMBLY		cat. no.		-	Product - Customer Drw	sheet 2 of 2	
					MINITEK μSPACE STS DR 1.27 TOP LATCH						