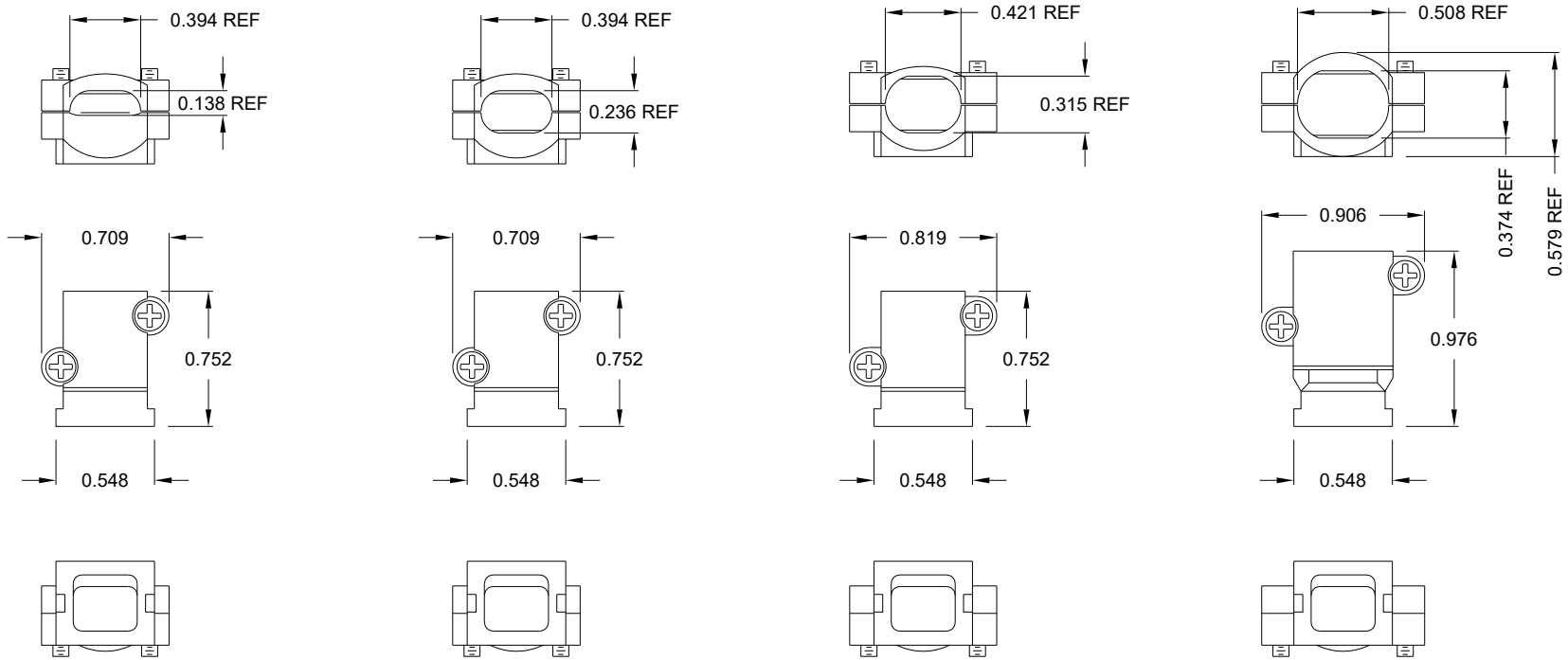


CABLE CLAMPS ORDERED SEPARATELY

**TOLERANCES
±0.008"**



P/N 955-09-SR-4-7 CABLE RANGE = 0.157 - 0.276 (MIN - MAX)
 P/N 955-15-SR-7-10 CABLE RANGE = 0.276 - 0.394 (MIN - MAX)
 P/N 955-25-SR-9-12 CABLE RANGE = 0.354 - 0.472 (MIN - MAX)
 P/N 955-37-SR-11-14 CABLE RANGE = 0.433 - 0.551 (MIN - MAX)

(2x) M2.5x0.45 SCREWS INCLUDED

RoHS COMPLIANT

UNITS = inches

DO NOT SCALE FROM DRAWING



THESE DRAWINGS AND SPECIFICATIONS ARE THE PROPERTY OF NorComp AND SHALL NOT BE REPRODUCED, COPIED OR USED AS THE BASIS FOR THE MANUFACTURE OR SALE OF APPARATUS WITHOUT WRITTEN PERMISSION.

DRAWN:
C. SMITH
DATE:
04/10/2007

NorComp

SCALE: NTS	SHEET 1	OF 1	REV 3
DWG NO.		955-YY-SR-Y-Y	