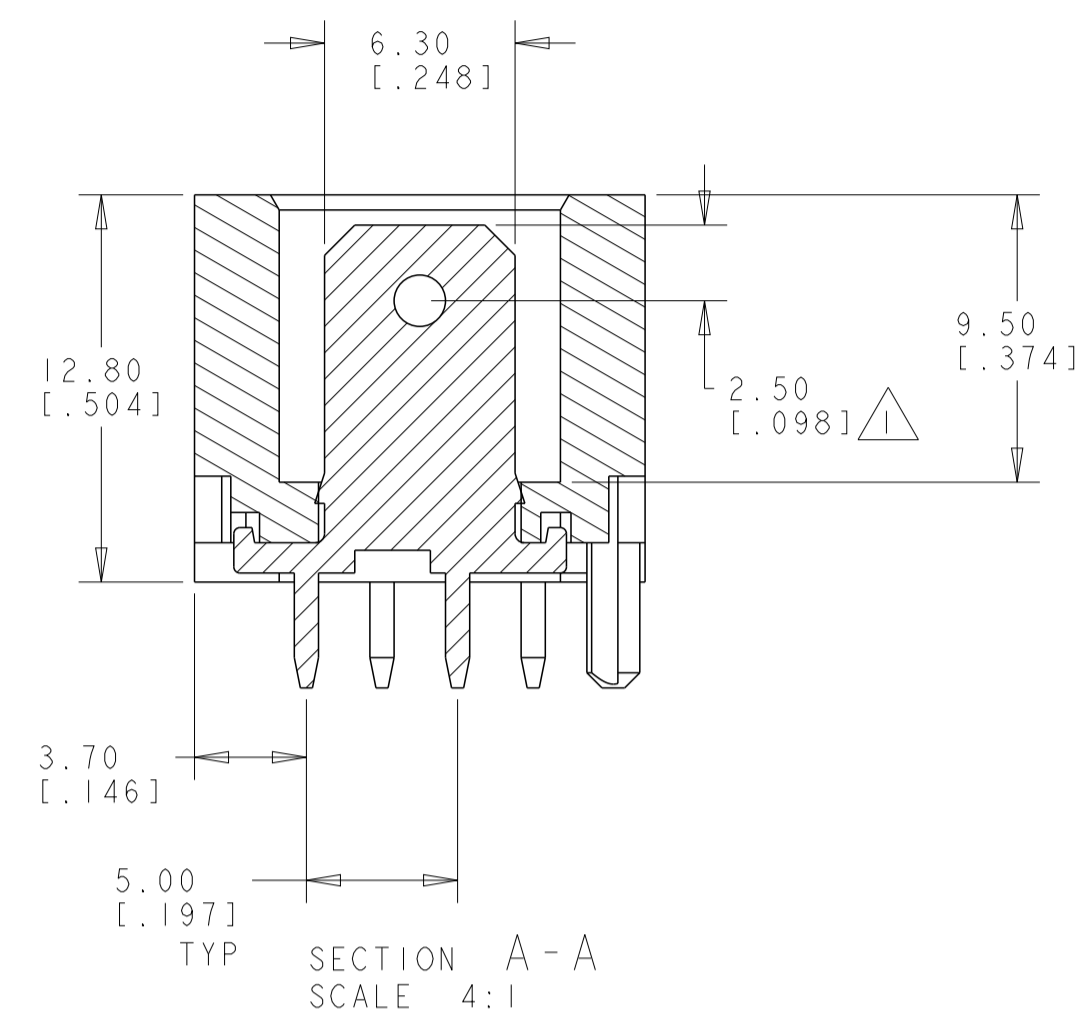
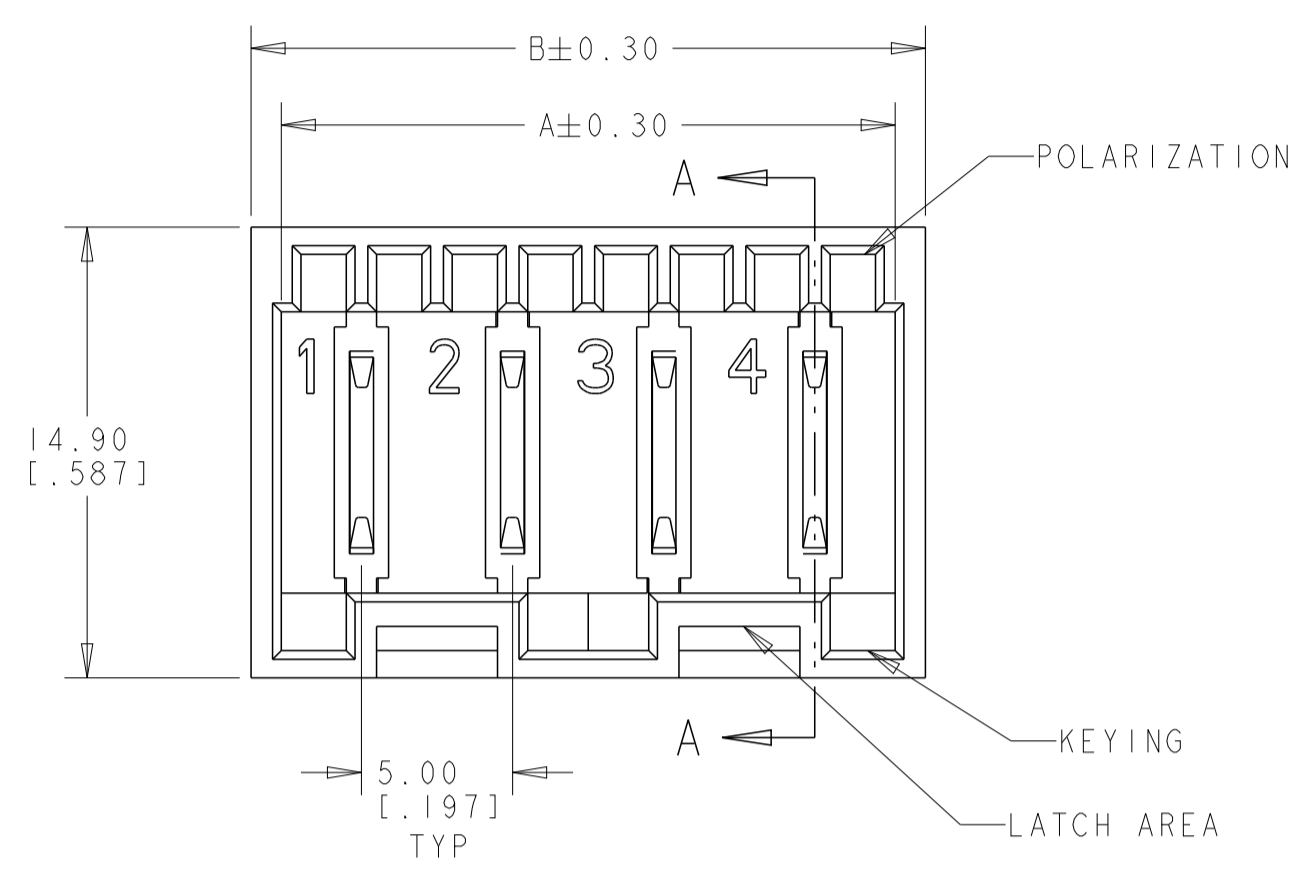
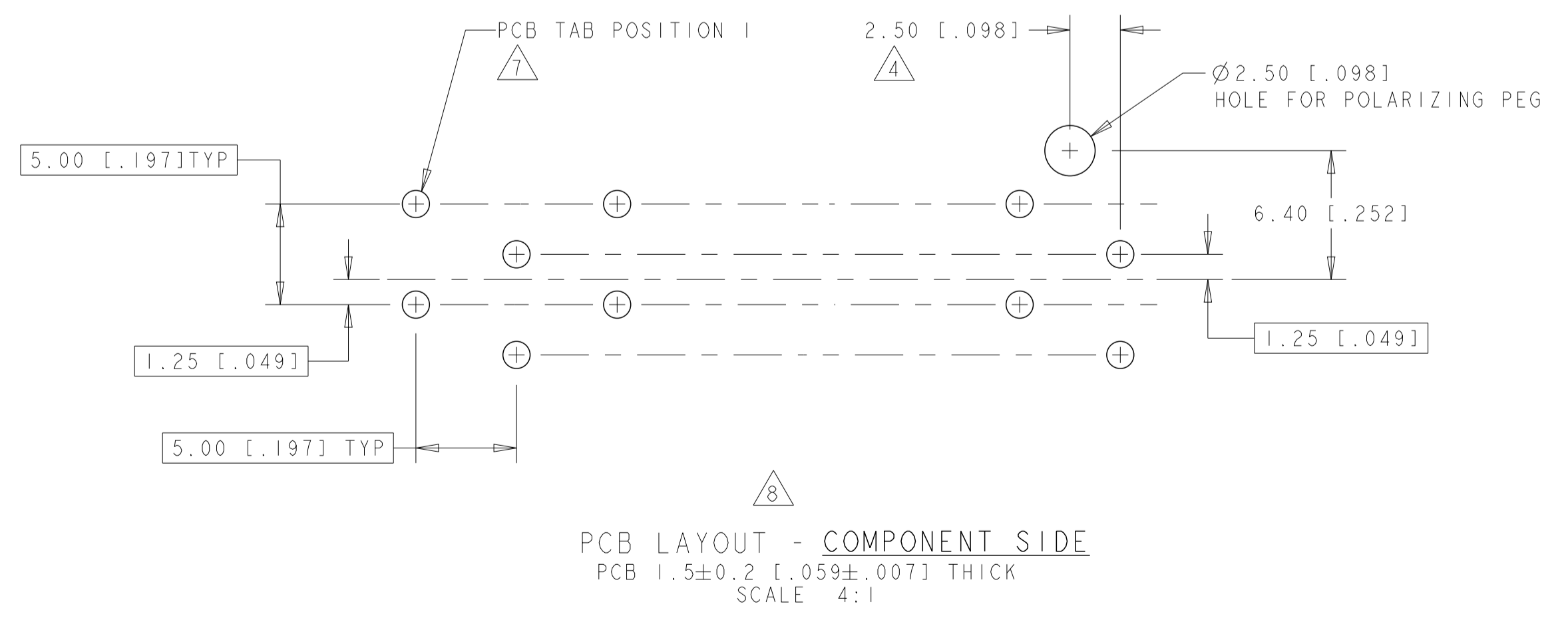
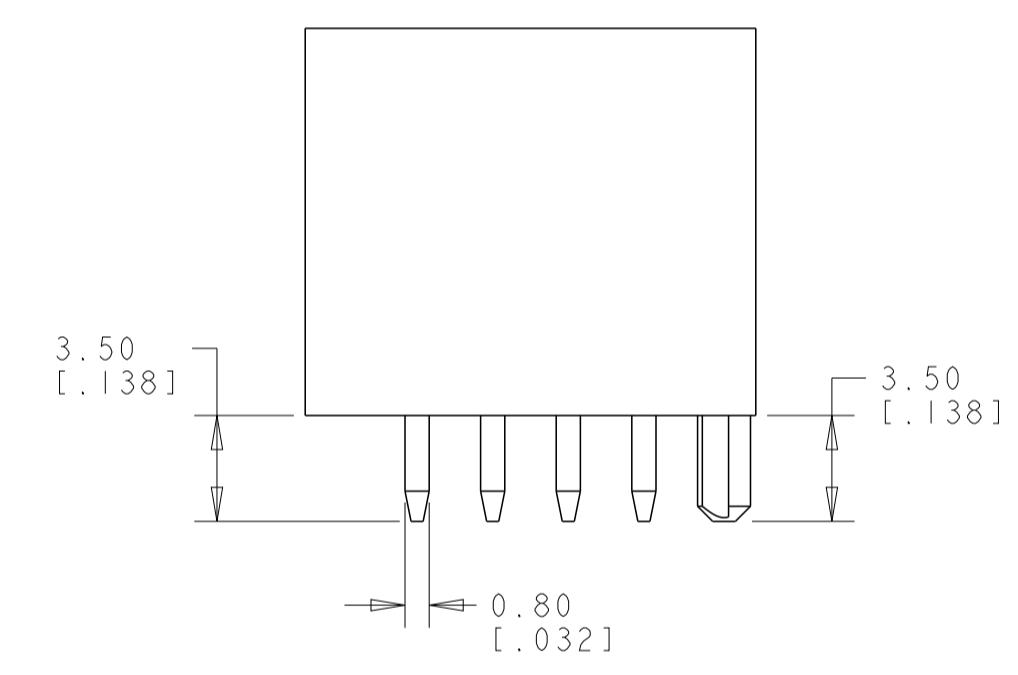
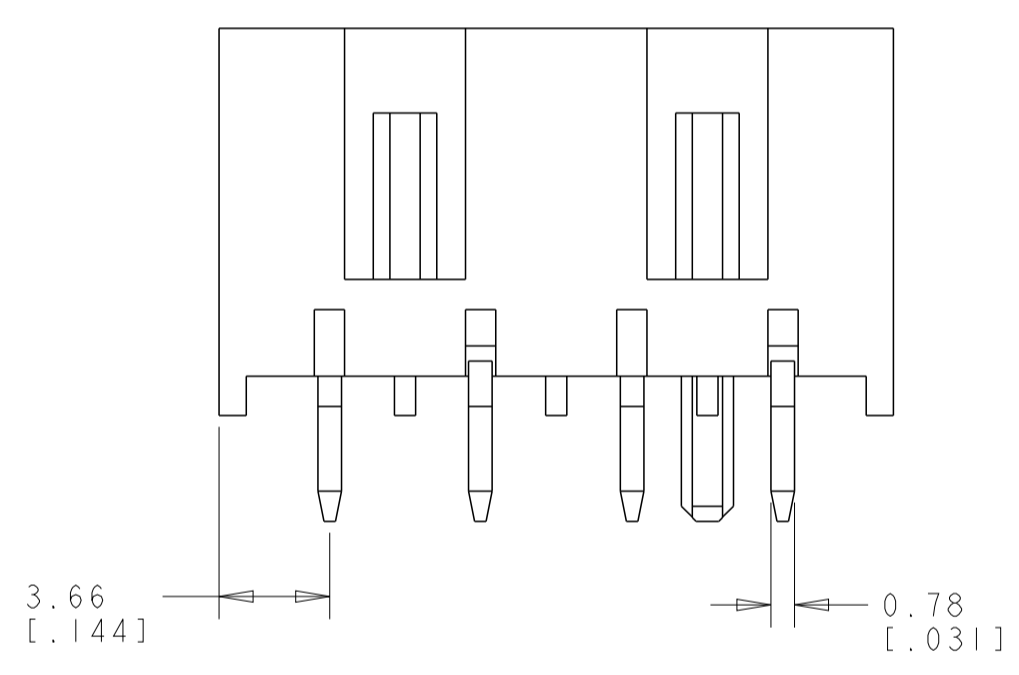


LOC		DIST		REVISIONS			
P	LTN	DESCRIPTION	DATE	DMN	APVD		
F6		ECR-12-014808	27SEP2012	C. J.	R. P.		



- 1 HOUSING HAS RAST 5 COMPLIANT KEYING, LATCHING, AND POLARIZATION. TAB IS 6.3 x 0.8 [0.248 x 0.032], HOWEVER, THE LOCATION OF THE TAB HOLE DOES NOT MEET DIN 46244.
- 2 RECOMMENDED MATING CONNECTOR FAMILIES INCLUDE POSITIVE-LOCK RAST 5, STANDARD TIMER RAST 5, MULTIFITTING, MULTIFITTING MKII, AND MONO-SHAPE TAB CONNECTORS.
- 3. SEE SHEET 2 FOR AVAILABLE CONFIGURATIONS .
- 4 DIMENSION OFF OF LAST POSITION REGARDLESS OF EVEN OR ODD POSITION CONNECTOR.
- 5 MATERIAL: HOUSING, NYLON 66, UL 94V-0. CONTACT, BRASS, 0.8 mm THICK.
- 6 FINISH: CONTACTS, 3.8 μ m MIN TIN OVER 1.3 μ m MIN NICKEL.
- 7 PCB TABS INSERTED IN A STAGGERED PATTERN BEGINNING WITH POSITION 1.
- 8 SELECTED HOLES MAY BE 1.05+0.05/-0.00 DIA [0.041+0.002/-0.001 DIA] FOR IMPROVED (PRESS-FIT) RETENTION TO P.C.B. PRIOR TO SOLDERING.
- 9. PRODUCT QUALIFICATION PER 108-2183
- 10 PRELIMINARY - NOT FOR PRODUCTION
- 11 PREPRODUCTION - FASR REQUIRED
- 12 X - Cavity Loaded With Contacts
0 - Cavity Not Loaded with Contacts
- 13 Selective Contact Loading



47.3	45.3	9
42.3	40.3	8
37.3	35.3	7
32.3	30.3	6
27.3	25.3	5
22.3	20.3	4
17.3	15.3	3
12.3	10.3	2
B	A	NO. OF POS.

THIS DRAWING IS A CONTROLLED DOCUMENT.

DIMENSIONS: mm [INCHES]	TOLERANCES UNLESS OTHERWISE SPECIFIED:	DMN M. S. FEHER 02MAR2004	CHK J. HUMMEL 02MAR2004	APVD J. HUMMEL 02MAR2004	NAME ASSEMBLY, POSITIVE-LOCK, RAST 5, HEADER, VERTICAL
0 PLC ±	1 PLC ±0.251(.010)	PRODUCT SPEC 108-2183	APPLICATION SPEC	SIZE A1	CAGE CODE 521382
MATERIAL	FINISH	WEIGHT	CUSTOMER DRAWING	SCALE 4:1	SHEET 1 OF 3

STE TE Connectivity

LOC	DIST	REVISIONS			
P	LTN	DESCRIPTION	DATE	OWN	APVD
AF	50	SEE SHEET 1	-	-	-

2-3, 7-8	2c, 8d	3b, 8a	9	-	3-521382-9
1-2, 4-5, 6-7, 8-9	1c, 2d, 7d, 8c	1b, 2a, 4b, 5a, 8b, 9b	9	-	10 2-521382-9
1-2, 6-7	3d, 7d	5b	9	09-D	10 1-521382-9
2-3, 7-8	2c, 8d	2b, 5a	9	09-C +2c	10 521382-9
1-2, 7-8	2d, 4d, 5c, 6d, 8d	1a, 1b, 2b, 3b, 4a, 4b, 6a, 7a, 8b	8	-	10 3-521382-8
2-3, 7-8	2c, 3d, 7c	8b	8	08-C	2-521382-8
1-2, 3-4, 5-6, 7-8	3c, 6d	4a, 6b	8	-	1-521382-8
1-2, 7-8	2d, 3c, 6d, 7c	-	8	08-D	521382-8
1-2, 5-6	2d, 7c	2b	7	-	4-521382-7
1-2, 5-6	3d, 7d	3a, 4a	7	-	3-521382-7
1-2, 5-6	3c, 4d, 7c	1a, 6b	7	-	2-521382-7
1-2, 4-5, 6-7	3c, 5d, 6c, 7d	1a, 2a, 4a, 4b, 5b, 6a, 6b, 7b	7	-	1-521382-7
1-2, 6-7	3d, 7d	5b	7	07-C	521382-7
1-2, 3-4, 5-6	2d, 3c, 4d, 5c	1a, 2b, 4a, 5b, 6b	6	-	3-521382-6 10
4-5	1c, 1d, 2c, 3d, 5d, 6c, 6d	1b, 2a, 2b, 3a, 3b, 6a	6	-	2-521382-6
1-2, 5-6	4d	2b, 6b	6	06-D	1-521382-6
1-2, 4-5	3c, 6d	1b	6	06-A	521382-6
1-2, 4-5	3d	3b	5	-	6-521382-5
1-2, 4-5	3d	1a, 4a	5	05-D	5-521382-5
1-2, 3-4	1c, 2d, 4d	2a, 4b	5	-	4-521382-5
1-2, 3-4	1c, 2d, 3c, 5d	1a, 5b	5	-	3-521382-5
2-3	3d, 4c	1a, 5b	5	-	2-521382-5
1-2, 3-4	2d, 5d	2b	5	-	1-521382-5
1-2, 4-5	2d	2b	5	05-B	521382-5
1-2, 3-4	2D, 3C, 4D	1B, 2A, 4B	4	-	6-521382-4
1-2, 3-4	2d, 3c	1b, 2a, 2b, 3b, 4b	4	-	10 5-521382-4
1-2, 3-4	2d	2a, 4b	4	04-G	4-521382-4
1-2, 3-4	4d	1a, 3a	4	04-F	3-521382-4
1-2, 3-4	4d	1a, 4b	4	04-C	2-521382-4
1-2, 3-4	1c	1a, 4b	4	04-B	1-521382-4
1-2, 3-4	3c, 4d	1b	4	04-A	521382-4
1-2	1c, 3c	3b	3	-	6-521382-3
1-2	1c, 2d	1b, 2b	3	-	5-521382-3
2-3	1c, 3d	3b	3	03-K	4-521382-3
2-3	1d, 3d	3b	3	-	3-521382-3
1-2	3c	1a	3	03-D	2-521382-3
2-3	1d, 2c	2b, 3b	3	03-B	1-521382-3
1-2	1c, 2d	1b	3	03-A	521382-3
1-2	1c, 2d	2b	2	02-P	6-521382-2
1-2	1c	1b, 2b	2	02-I	5-521382-2
1-2	2d	1a, 2b	2	02-E	3-521382-2
1-2	1c, 2d	2a	2	02-C	2-521382-2
1-2	1c	1a, 2b	2	02-B	1-521382-2
1-2	1c, 2d	1b, 2a	2	02-A	521382-2
LATCH WINDOWS	KEYING	POLAR.	NO. OF POS.	RAST 5 DESIG.	PART NUMBER

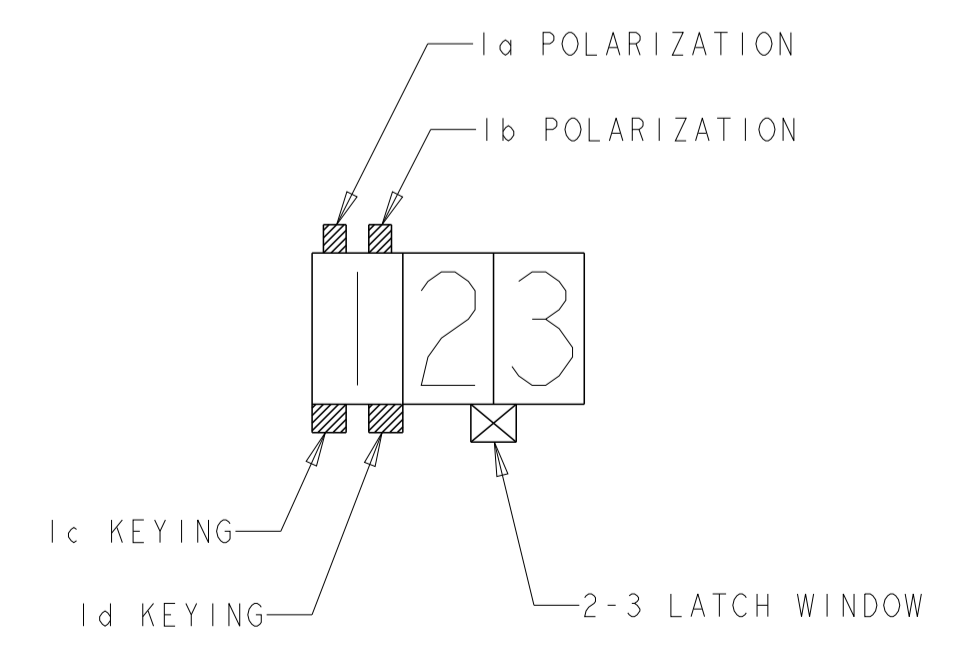
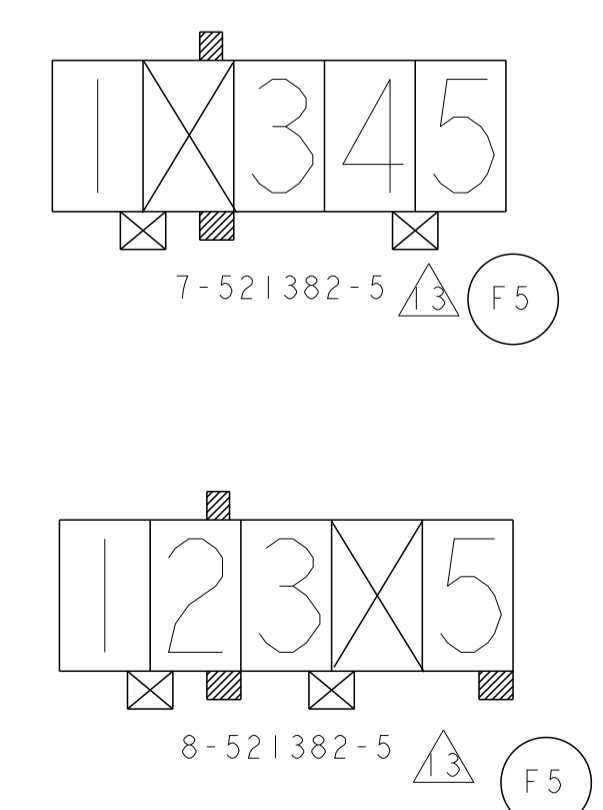
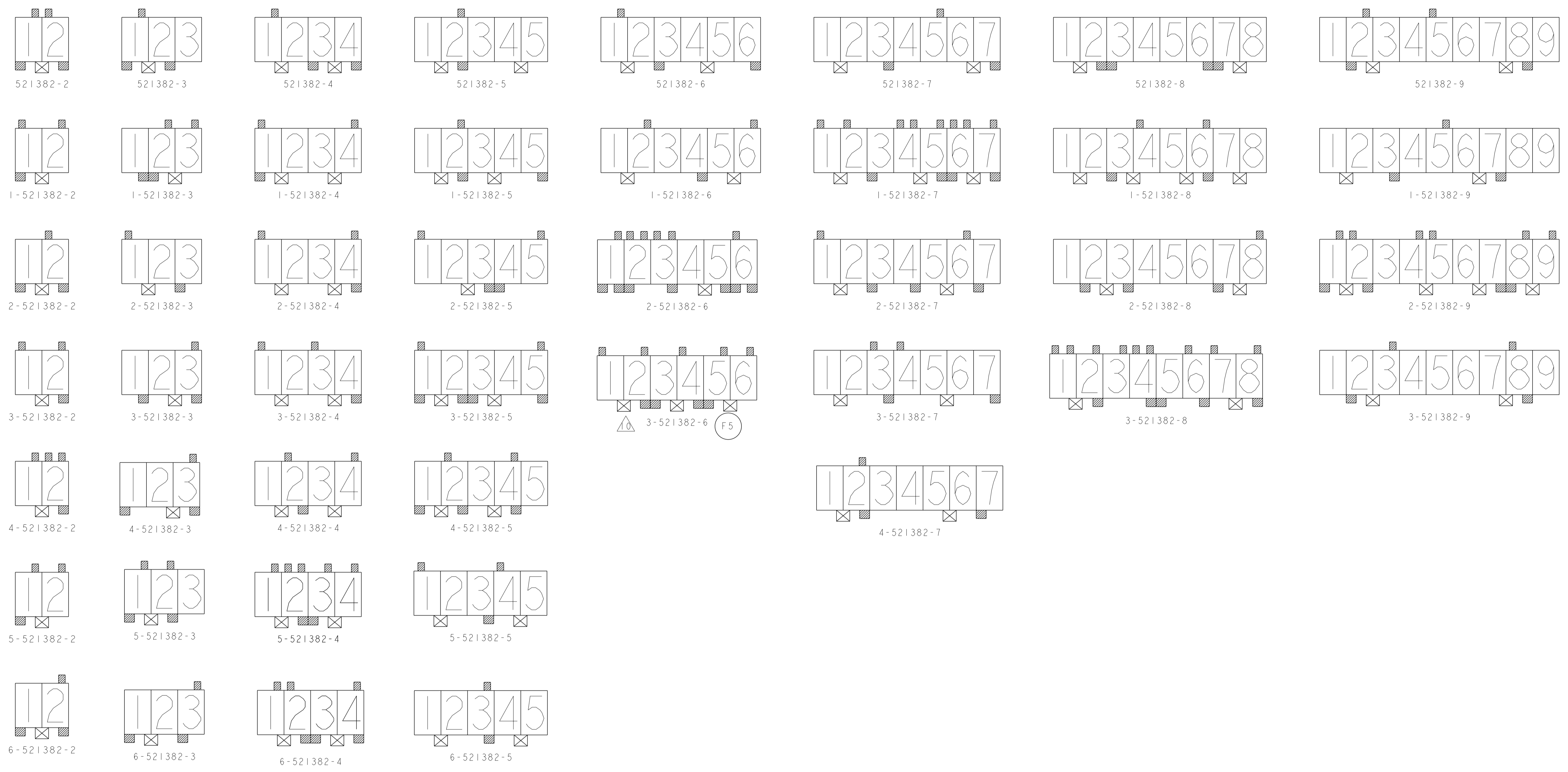
X	0	X	X	X	1-2, 3-4	2d, 5d	2b	5	-	8-521382-5
X	X	X	0	X	1-2, 4-5	2d	2b	5	05-B	7-521382-5
5	4	3	2	1	LATCH WINDOWS	KEYING	POLAR.	NO. OF POS.	RAST 5 DESIG.	PN
(CAVITIES LOADED) 2										

THIS DRAWING IS A CONTROLLED DOCUMENT.

DIMENSIONS: mm [INCHES]	TOLERANCES UNLESS OTHERWISE SPECIFIED:	0 PLC ±	1 PLC ±	2 PLC ±0.25(.010)	3 PLC ±	4 PLC ±	ANGLES ±2°	FINISH
MATERIAL		WEIGHT		SCALE		SHEET		REV

DWG: R. FLAIG 02MAR2004
 CHK: J. HUMMEL 02MAR2004
 APVD: J. HUMMEL 02MAR2004
 NAME: ASSEMBLY, POSITIVE-LOCK, RAST 5, HEADER, VERTICAL
 PRODUCT SPEC: 108-2183
 APPLICATION SPEC: -
 SIZE: A100779 C=521382
 CUSTOMER DRAWING
 SCALE: 4:1 SHEET 2 OF 3 REV F6

LOC		DIST		REVISIONS			
P	LYR	DESCRIPTION	DATE	DWN	APVD		
-	-	SEE SHEET 1	-	-	-		



PICTORIAL VIEW KEY

THIS DRAWING IS A CONTROLLED DOCUMENT.		DWN: M. S. FEHER 02MAR2004	TE Connectivity NAME: ASSEMBLY, POSITIVE-LOCK, RAST 5, HEADER, VERTICAL
DIMENSIONS: mm [INCHES]		CHK: J. HUMMEL 02MAR2004	
TOLERANCES UNLESS OTHERWISE SPECIFIED:		APVD: J. HUMMEL 02MAR2004	PRODUCT SPEC
0 PLC ±		108-2183	APPLICATION SPEC
1 PLC ±0.25(.010)		SIZE: A100779	CAGE CODE: 521382
2 PLC ±		SCALE: 4:1	SHEET 3 OF 3
3 PLC ±		REV: F6	
4 PLC ±			
ANGLES ±2°			
FINISH			
MATERIAL			
WEIGHT			
CUSTOMER DRAWING			