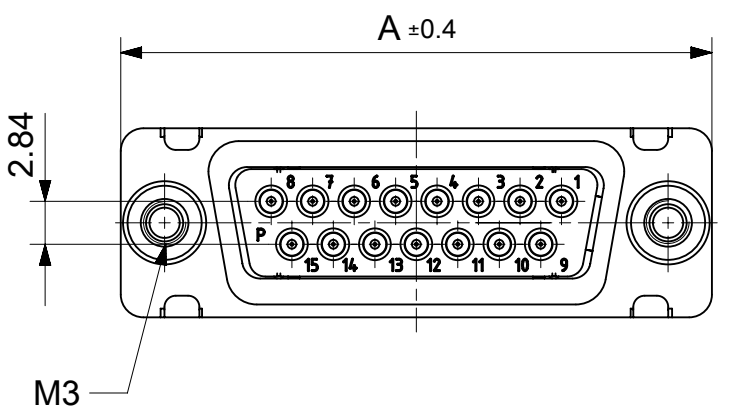
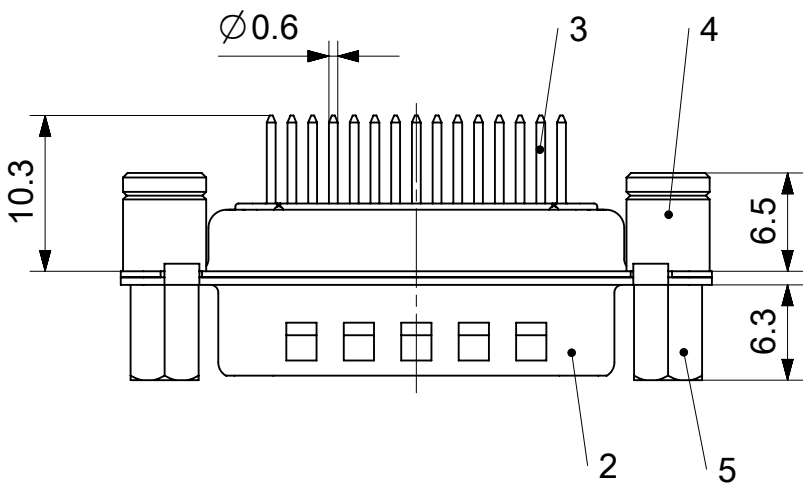
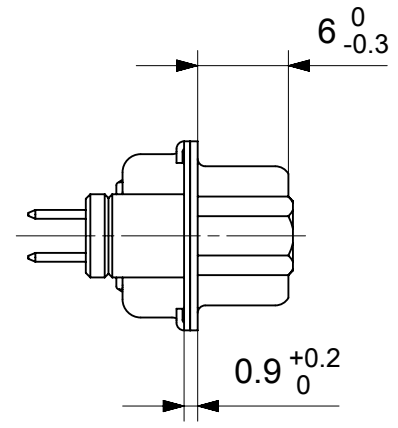
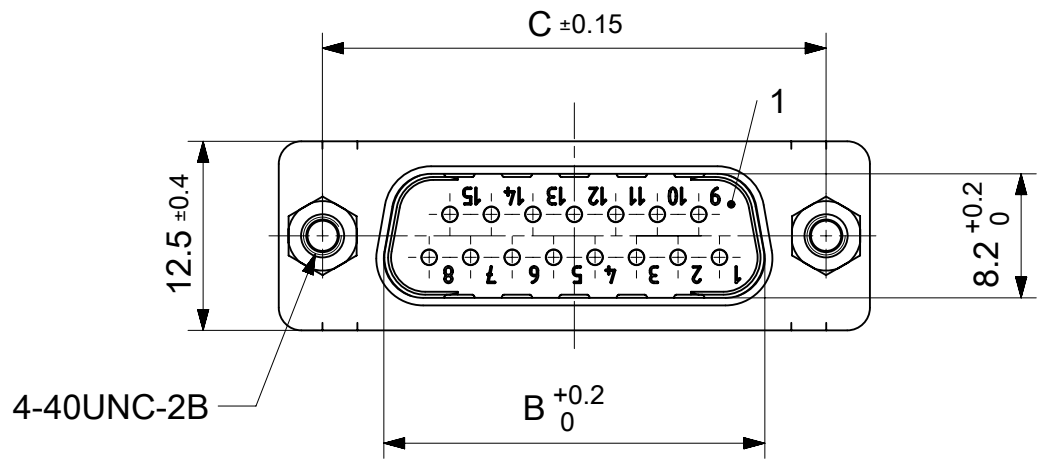


RoHS compliant
by exemption



FCT Part number:
FMxx*1)P1-1485
e.g. FM15P1-1485

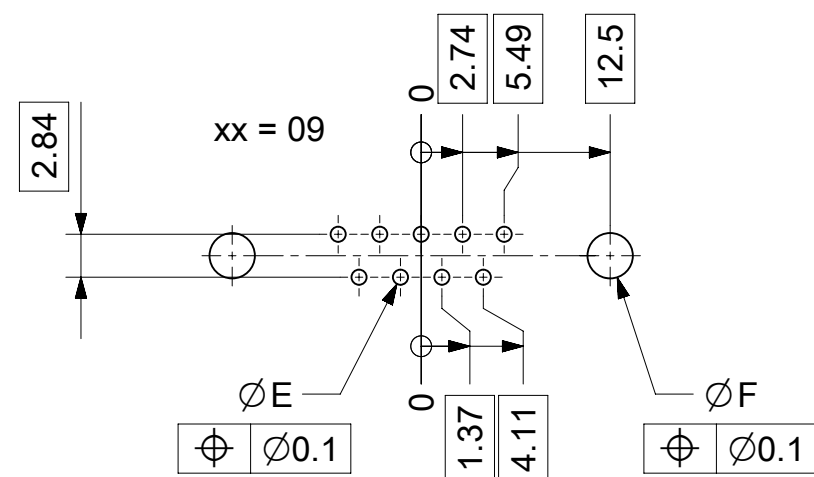
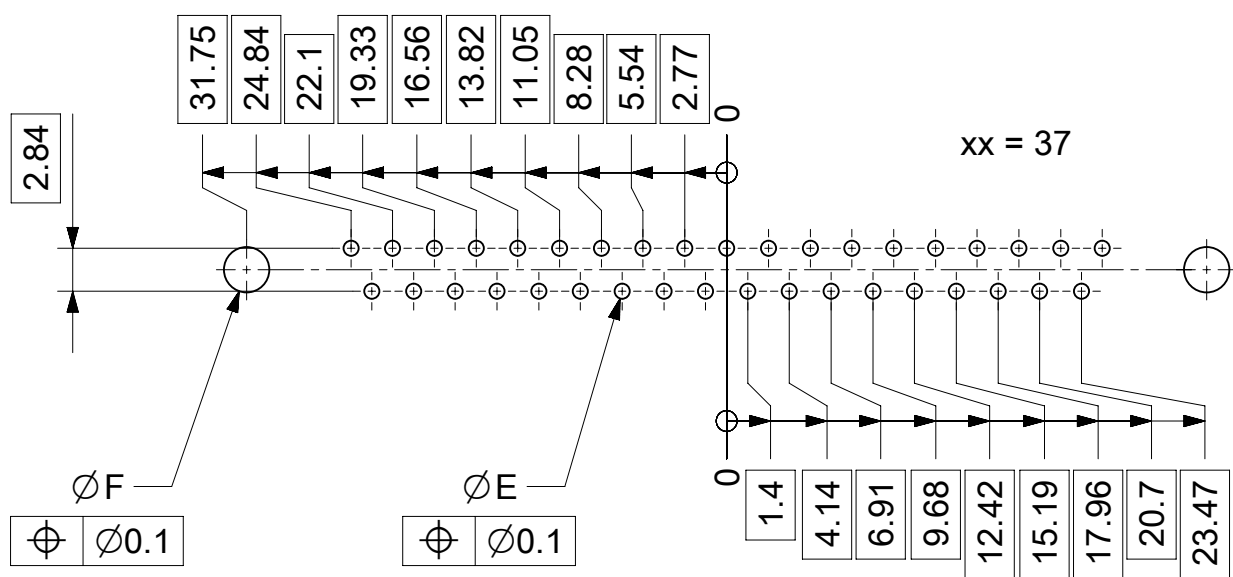
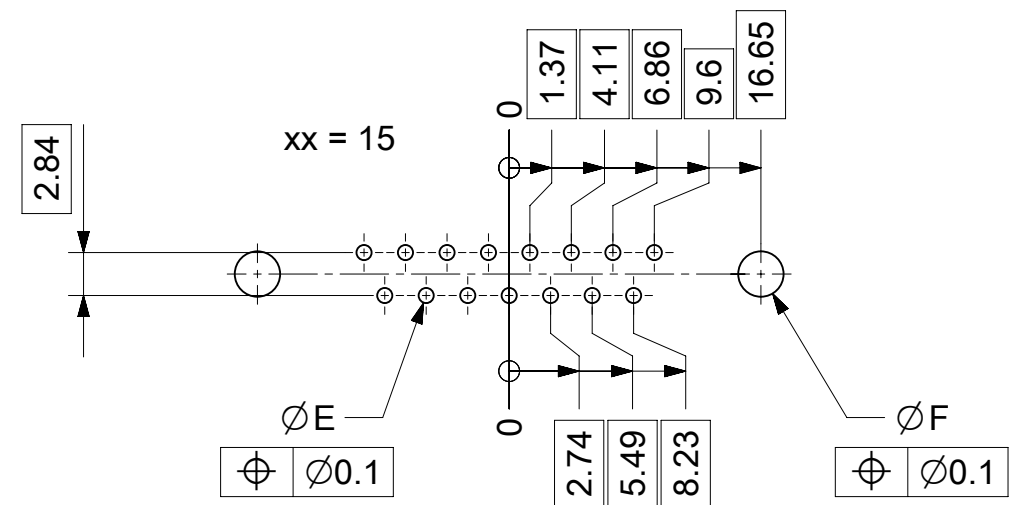
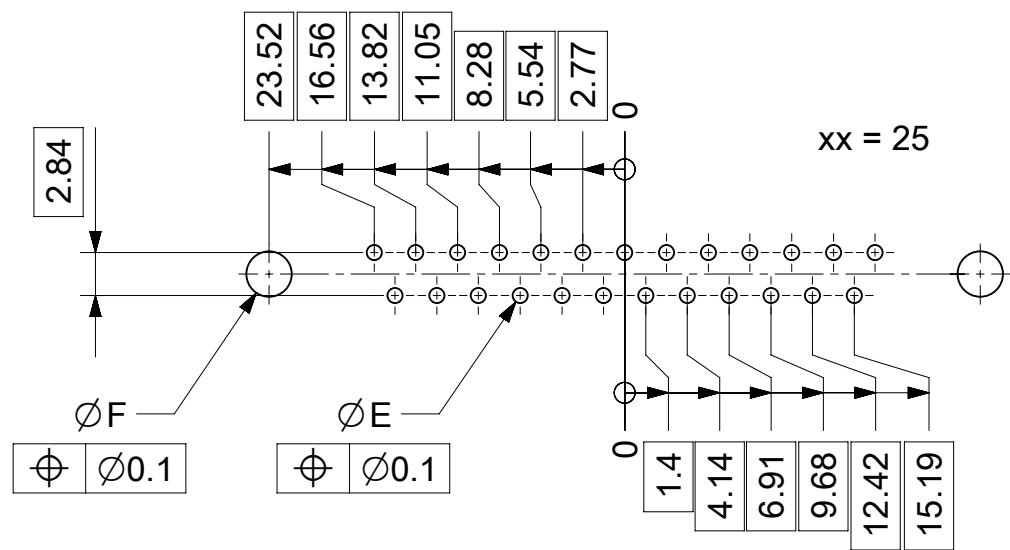
*1) xx No. of contacts 09, 15, 25 or 37

Material Number	xx*1)	A[mm]	B[mm]	C[mm]	*E[mm]
1731091696	09	30.8	16.9	25	Ø1
-	15	39.1	25.2	33.3	
1731091739	25	53	38.9	47.04	
-	37	69.3	55.3	63.5	

*PCB hole patterns ØE see document 2195600023

No.	Pc.	Part	Type Description/Material	Surface plating/Color/Class
5	2	Threaded spacer	4-40 / Steel	tin plated
4	2	Threaded spacer	M3 / Steel	tin plated
3	xx	Signal contact	P1 / Brass	1.3µm Au
2	1	Shell	Steel	tin plated
1	1	Insulator	PBT (-55°C to +130°C) acc. UL94V-0	green

MEASUREMENTS WITHOUT TOLERANCE ACC TO ISO 2768-m			REPLACEMENT FOR DOCUMENT NUMBER: FMxxP1-1485																	
FUNCTIONAL SYMBOLS																				
THIS DRAWING CONTAINS INFORMATION THAT IS PROPRIETARY TO MOLEX ELECTRONIC TECHNOLOGIES, LLC AND SHOULD NOT BE USED WITHOUT WRITTEN PERMISSION	CURRENT REV DESC:		molex																	
<table border="1"> <tr> <th>DIMENSION UNITS</th> <th>SCALE</th> </tr> <tr> <td>mm</td> <td>2:1</td> </tr> </table>	DIMENSION UNITS	SCALE				mm	2:1	<table border="1"> <tr> <th colspan="2">GENERAL TOLERANCES (UNLESS SPECIFIED)</th> </tr> <tr> <td>ANGULAR TOL</td> <td>± °</td> </tr> <tr> <td>4 PLACES</td> <td>±</td> </tr> <tr> <td>3 PLACES</td> <td>±</td> </tr> <tr> <td>2 PLACES</td> <td>±</td> </tr> <tr> <td>1 PLACE</td> <td>±</td> </tr> <tr> <td>0 PLACES</td> <td>±</td> </tr> </table>		GENERAL TOLERANCES (UNLESS SPECIFIED)		ANGULAR TOL	± °	4 PLACES	±	3 PLACES	±	2 PLACES	±	1 PLACE
DIMENSION UNITS	SCALE																			
mm	2:1																			
GENERAL TOLERANCES (UNLESS SPECIFIED)																				
ANGULAR TOL	± °																			
4 PLACES	±																			
3 PLACES	±																			
2 PLACES	±																			
1 PLACE	±																			
0 PLACES	±																			
DIVISIONAL SYMBOLS			PRODUCT CUSTOMER DRAWING																	
<table border="1"> <tr> <td>EC NO: 706086</td> <td>2021/12/27</td> </tr> <tr> <td>DRWN: SKANDB</td> <td>2022/05/11</td> </tr> <tr> <td>CHK'D: MTEUBEL</td> <td>2022/05/11</td> </tr> <tr> <td>APPR: MTEUBEL</td> <td>2022/05/11</td> </tr> </table>			EC NO: 706086	2021/12/27	DRWN: SKANDB	2022/05/11	CHK'D: MTEUBEL	2022/05/11	APPR: MTEUBEL	2022/05/11	DOCUMENT NUMBER		DOC TYPE							
EC NO: 706086	2021/12/27																			
DRWN: SKANDB	2022/05/11																			
CHK'D: MTEUBEL	2022/05/11																			
APPR: MTEUBEL	2022/05/11																			
INITIAL REVISION:			1731091696	PSD	000															
<table border="1"> <tr> <td>DRWN: SKANDB</td> <td>2021/12/27</td> </tr> <tr> <td>APPR: MTEUBEL</td> <td>2022/05/11</td> </tr> </table>			DRWN: SKANDB	2021/12/27	APPR: MTEUBEL	2022/05/11	DOC PART	REVISION												
DRWN: SKANDB	2021/12/27																			
APPR: MTEUBEL	2022/05/11																			
DRAFT WHERE APPLICABLE MUST REMAIN WITHIN DIMENSIONS			A																	
FIRST ANGLE PROJECTION		DRAWING	SERIES	MATERIAL NUMBER	CUSTOMER															
		A3-SIZE	173109	SEE TABLE	GENERAL MARKET															
SHEET NUMBER			1 OF 1																	



ØE, ØF see data sheet incl. connector
 ØF connectors with accessories only

MEASUREMENTS WITHOUT TOLERANCE ACC TO ISO 2768-m			REPLACEMENT FOR DOCUMENT NUMBER: AM0023			
THIS DRAWING CONTAINS INFORMATION THAT IS PROPRIETARY TO MOLEX ELECTRONIC TECHNOLOGIES, LLC AND SHOULD NOT BE USED WITHOUT WRITTEN PERMISSION						
FUNCTIONAL SYMBOLS	DIMENSION UNITS	SCALE	CURRENT REV DESC:			
FA = 0	mm	2:1	EC NO: 713905			
FE = 0	GENERAL TOLERANCES (UNLESS SPECIFIED)		DRWN: SKANDB 2022/05/16			
FP = 0	ANGULAR TOL ± °		CHK'D: MTEUBEL 2022/07/12			
DIVISIONAL SYMBOLS	4 PLACES ±		APPR: MTEUBEL 2022/07/12			
	3 PLACES ±		INITIAL REVISION:			
	2 PLACES ±		DRWN: SKANDB 2022/05/16			
	1 PLACE ±		APPR: MTEUBEL 2022/07/12			
	0 PLACES ±		DOCUMENT NUMBER			
DRAFT WHERE APPLICABLE MUST REMAIN WITHIN DIMENSIONS		FIRST ANGLE PROJECTION	DRAWING	SERIES	MATERIAL NUMBER	CUSTOMER
			A3-SIZE	219560	219560	GENERAL MARKET
			PRODUCT CUSTOMER DRAWING		REVISION	
			2195600023		A	
			PSD 000		1 OF 1	